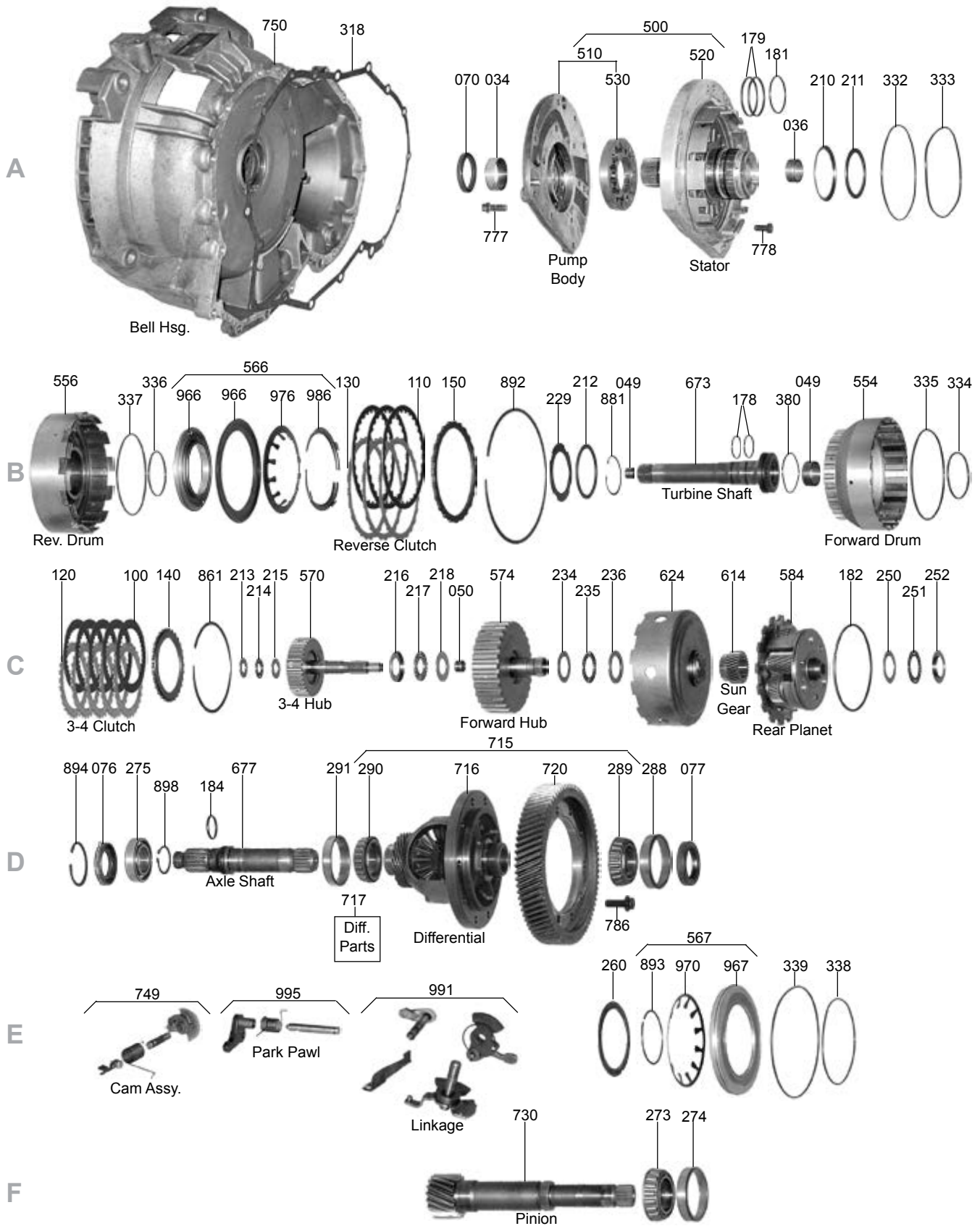
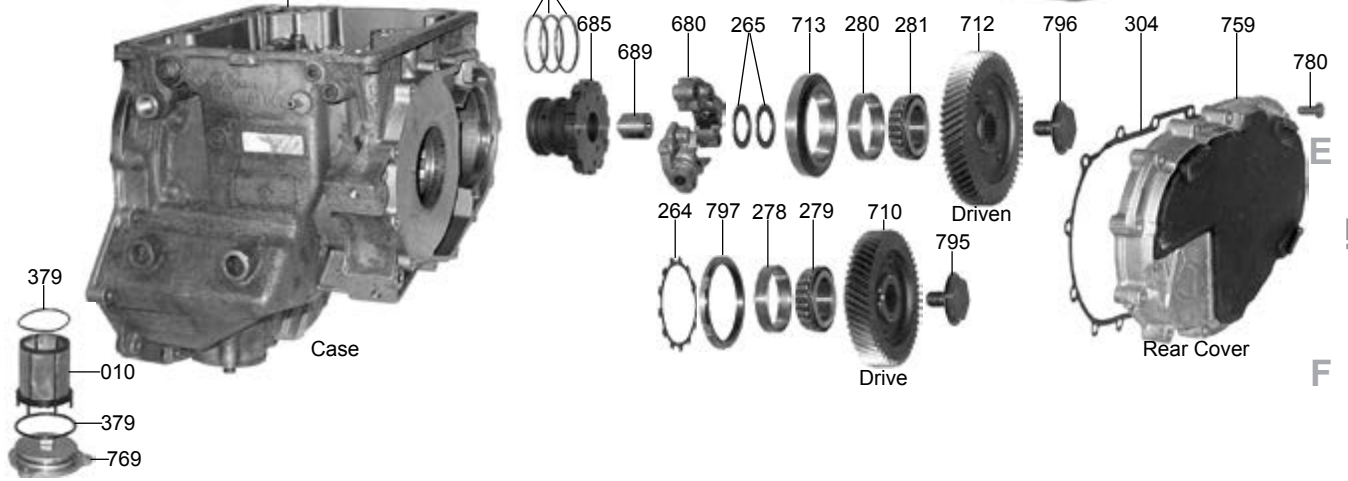
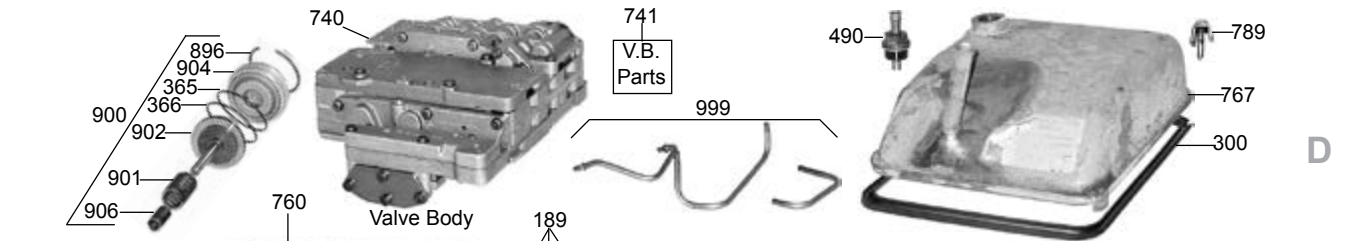
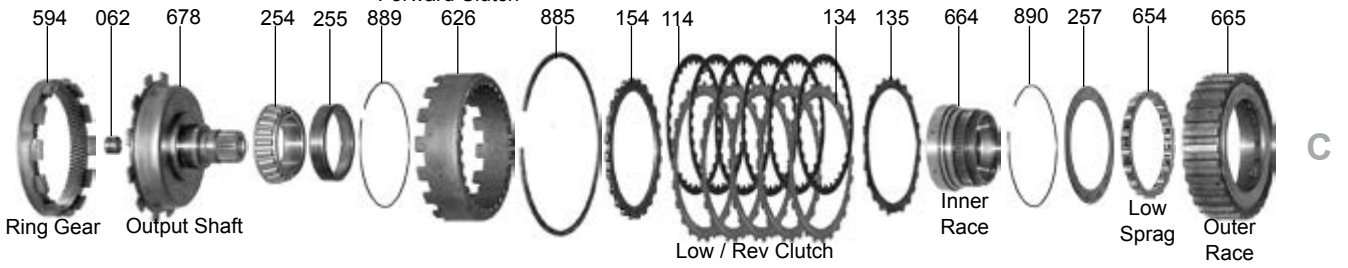
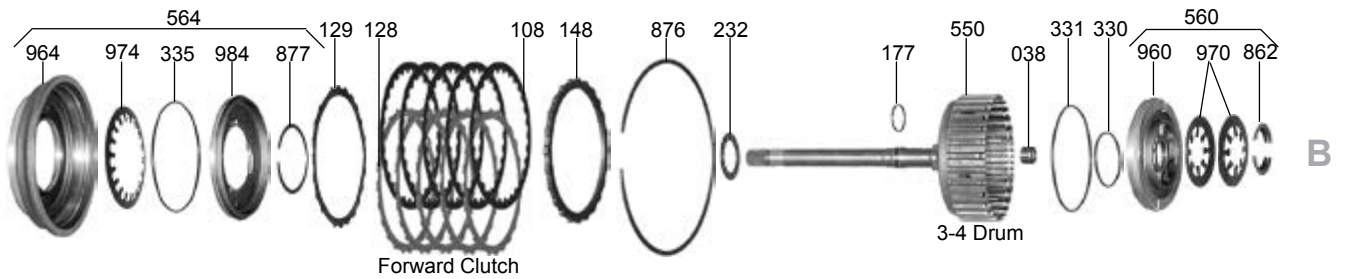
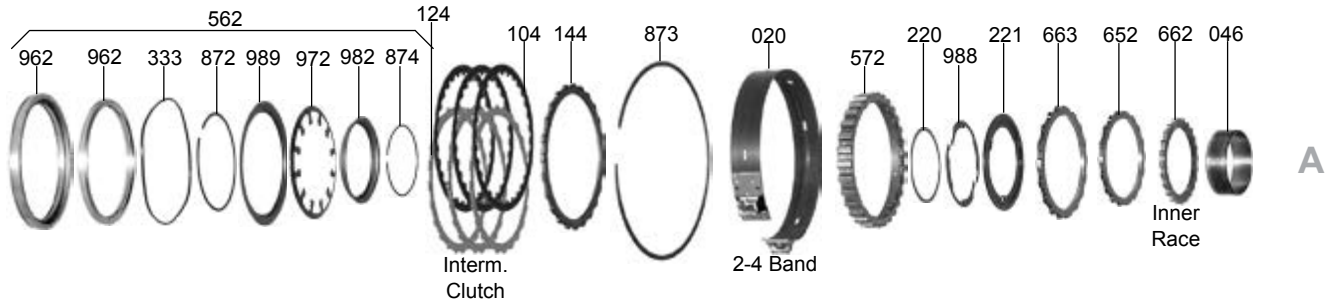


ZF4HP18 (SAAB)



ZF4HP18 (SAAB)



A

B

C

D

E

F



ZF4HP14, ZF4HP18

ILL#	Part#		QTY	REF#
OVERHAUL KITS				
NI.....	K85900G.....	Overhaul Kit, ZF4HP18 (Audi 100) 2WD 1989-97.....	1.....	N/A
NI.....	K85900R.....	Overhaul Kit, ZF4HP18 (Audi 100) 4x4 1989-97.....	1.....	N/A
NI.....	K85900A.....	Overhaul Kit, ZF4HP18 (Saab 900 94-97, 9000/S 86-98, Peugeot 605 89-97, Citroen, Alfa Romeo, Lancia 90-98.....	1.....	1050298010
NI.....	K85900P.....	Overhaul Kit, ZF4HP18 (Eagle, Dodge) 1986-96.....	1.....	98027-ZF
NI.....	K85900.....	Overhaul Kit, ZF4HP14 (Peugeot) 1989-94.....	1.....	1036298901
MASTER L/STEEL KITS				
NI.....	DK8500GS.....	Master L/Steels Kit, ZF4HP18 (Audi 100) 2WD 1989-97.....	1.....	N/A
NI.....	DK8500RS.....	Master L/Steels Kit, ZF4HP18 (Audi 100) 4x4 1989-97.....	1.....	N/A
NI.....	DK8500AS.....	Master L/Steels Kit, ZF4HP18 (Saab 900 94-97, 9000/S 86-98, Peugeot 605 89-97, Citroen, Alfa Romeo, Lancia 90-98.....	1.....	3418113
NI.....	DK8500PS.....	Master L/Steels Kit, ZF4HP18 (Eagle, Dodge) 1986-96.....	1.....	3418111
NI.....	DK8500S.....	Master L/Steels Kit, ZF4HP14 (Peugeot) 1989-94.....	1.....	98015-ZF
MASTER W/STEELS KITS				
NI.....	DK8500G.....	Master W/Steels Kit, ZF4HP18 (Audi 100) 2WD 1989-97.....	1.....	N/A
NI.....	DK8500R.....	Master W/Steels Kit, ZF4HP18 (Audi 100) 4x4 1989-97.....	1.....	N/A
NI.....	DK8500A.....	Master W/Steels Kit, ZF4HP18 (Saab 900 94-97, 9000/S 86-98, Peugeot 605 89-97, Citroen, Alfa Romeo, Lancia 90-98.....	1.....	2418113
NI.....	DK8500P.....	Master W/Steels Kit, ZF4HP18 (Eagle, Dodge) 1986-96.....	1.....	2418111
NI.....	DK8500.....	Master W/Steels Kit, ZF4HP14 (Peugeot) 1989-94.....	1.....	98001-ZF
FILTERS				
010.....	85710B.....	Filter, ZF4HP18 (Audi 100 & A6) 1991-Up.....	1.....	0501-004-608
010.....	85710.....	Filter, ZF4HP14/ZF4HP18 (Rectangle Filter).....	1.....	1036-226-013
010.....	85710A.....	Filter, ZF4HP14/ZF4HP18 (Round Filter).....	1.....	501311497
BANDS				
020.....	85701A.....	Band, ZF4HP18 (Audi).....	1.....	TBA
020.....	85701.....	Band, ZF4HP18 (Eagle, Dodge).....	1.....	TBA
020.....	85700.....	Band, ZF4HP14 (Peugeot).....	1.....	TBA
020.....	85701.....	Band, ZF4HP18 (Saab).....	1.....	TBA
BUSHINGS				
030.....	K85905.....	Bushing Kit, ZF4HP14.....	1.....	TBA
030.....	K85905A.....	Bushing Kit, ZF4HP18 (Eagle, Dodge).....	1.....	TBA
030.....	K85907.....	Bushing Kit, ZF4HP18.....	1.....	TBA
034.....	85000.....	Bushing, ZF4HP18 Pump Body (Audi).....	1.....	TBA
034.....	85000.....	Bushing, ZF4HP18 Pump Body (Eagle, Dodge).....	1.....	TBA
034.....	85000A.....	Bushing, ZF4HP18 Pump Body (Saab).....	1.....	TBA
036.....	85002.....	Bushing, ZF4HP18 Stator (Front) (Eagle, Dodge, Saab).....	1.....	TBA
037.....	82005.....	Bushing, ZF4HP18 Stator (Rear) Eagle, Dodge, Saab (Use 69048).....	1.....	TBA
037.....	K82005.....	Bushing Kit, ZF4HP18 Stator & Turbine Shaft (Eagle, Dodge, Saab).....	1.....	TBA
037.....	85007.....	Bushing, ZF4HP14 Stator(Rear) Peugeot.....	1.....	TBA
037.....	K85007.....	Bushing Kit, ZF4HP18 Stator & Turbine Shaft (Peugeot).....	1.....	TBA
038.....	85006.....	Bushing, ZF4HP18 3/4 Drum.....	1.....	TBA
046.....	85004.....	Bushing, ZF4HP18 Reverse Drum (Front) Eagle, Dodge, Saab.....	1.....	TBA
048.....	82005.....	Bushing, ZF4HP18 Stator (Rear) Eagle, Dodge, Saab.....	1.....	TBA
049.....	85001.....	Bushing, ZF4HP18 Turbine Shaft (Eagle, Dodge, Saab).....	1.....	TBA
METAL CLAD SEALS				
070.....	85151A.....	Seal, ZF4HP18 Front (Audi).....	1.....	95321243
070.....	85151A.....	Seal, ZF4HP18 Front (Eagle, Dodge).....	1.....	750-111-079
070.....	85151A.....	Seal, ZF4HP18 Front (Saab).....	1.....	750-111-273
070.....	82151.....	Seal, ZF4HP14 Front.....	1.....	TBA
072.....	82155F.....	Seal, ZF4HP14/ ZF4HP18 Manual Control Shaft, 1986-Up.....	1.....	TBA
075.....	85157.....	Seal, ZF4HP18 Left Pinion Shaft (Eagle, Dodge / Audi/Porsche).....	1.....	97409529A
075.....	85158.....	Seal, ZF4HP18 Right Pinion Shaft (Eagle, Dodge / Audi/Porsche).....	2.....	750-111-191
076.....	85154A.....	Seal, ZF4HP18 Right Axle (Outer, Starter Side) Audi.....	1.....	97409399A
076.....	85154.....	Seal, ZF4HP18 Right Axle (Inner, Differential Side) Eagle, Dodge.....	1.....	750-111-193
076.....	85154B.....	Seal, ZF4HP18 Right Axle (Outer, Differential Side) Eagle, Dodge.....	1.....	750-111-195
076.....	85161.....	Seal, ZF4HP18 Right Axle (Rear) Saab.....	1.....	750-111-292
077.....	85153.....	Seal, ZF4HP18 Left Axle (Outer, Differential Side) Audi/Porsche.....	1.....	97409400D
077.....	85157A.....	Seal, ZF4HP18 Left Axle (Inner, Starter Side) Eagle, Dodge.....	1.....	750-111-126
077.....	85157B.....	Seal, ZF4HP18 Left Axle (Outer, Starter Side) Eagle, Dodge.....	1.....	750-111-181
077.....	85162.....	Seal, ZF4HP14 Left Axle (Peugeot).....	1.....	501308397



ZF4HP14, ZF4HP18

ILL#	Part#		QTY	REF#
077.....	89155.....	Seal, ZF4HP18 Left Axle (Front) Saab.....	1.....	750-111-789
FRICTIONS				
100.....	85113.....	Friction, ZF4HP18 3-4 Clutch (.063") 36 Teeth (4.25" OD) E Pack.....	5.....	1036-330-034
100.....	85104.....	Friction, ZF4HP14 3-4 Clutch (.061") 36 Teeth (3.85" OD) E Pack.....	5.....	1050-230-033
104.....	82109.....	Friction, ZF4HP18 Intermediate Clutch (.063") 48 Teeth (5.628" OD) C Pack.....	3.....	1043217009
104.....	82109.....	Friction, ZF4HP18 Intermediate Clutch (.063") 48 Teeth (5.628" OD) C Pack.....	3.....	1050-210-053
104.....	85101.....	Friction, ZF4HP14 Intermediate Clutch (.061") 30 Teeth (5.300" OD) C Pack.....	4.....	1063-217-005
108.....	85115.....	Friction, ZF4HP18 Forward Clutch (.063") 30 Teeth (5.778" OD) A Pack.....	5.....	1050-202-002
108.....	85101.....	Friction, ZF4HP14 Forward Clutch (.061") 30 Teeth (5.309" OD) A Pack.....	3.....	1056-277-036
110.....	85112.....	Friction, ZF4HP18 Reverse Clutch (.079") 30 Teeth (5.778" OD) B Pack.....	3.....	1050-202-004
110.....	85102A.....	Friction, ZF4HP14 Reverse Clutch (.077") 30 Teeth (5.300" OD) B Pack.....	3.....	1036-202-028
114.....	85116.....	Friction, ZF4HP18 Low/Reverse Clutch (.063") 30 Teeth (5.778" OD) D Pack.....	6.....	1050-217-002
114.....	85101.....	Friction, ZF4HP14 Low/Reverse Clutch (.061") 30 Teeth (5.300" OD) D Pack.....	5.....	1036-202-029
119.....	K85AF.....	Friction & Steel Module, ZF4HP18.....	1.....	TBA
119.....	K85F.....	Friction & Steel Module, ZF4HP14.....	1.....	TBA
STEELS				
120.....	85134.....	Steel, ZF4HP18 3-4 Clutch (.071") 30 Teeth (3.075" ID) E Pack.....	5.....	1050-330-017
120.....	85124.....	Steel, ZF4HP14 3-4 Clutch (.071") 30 Teeth (2.950" ID) E Pack.....	5.....	1036-330-036
124.....	82104.....	Steel, ZF4HP18 Intermediate Clutch (.071") 12 Teeth (4.688" ID) C Pack (Use 82104).....	3.....	24231-205-935
124.....	85121.....	Steel, ZF4HP14 Intermediate Clutch (.071") 24 Teeth (4.730" ID) C Pack.....	4.....	1036-302-015
126.....	82104.....	Steel, ZF4HP18 Intermediate Clutch (.071") 12 Teeth (4.688" ID) C Pack.....	3.....	24231-205-935
128.....	85122.....	Steel, ZF4HP18 Forward (.071") 24 Teeth (5.200" ID) A Pack.....	5.....	1050-302-011
128.....	85121.....	Steel, ZF4HP14 Forward Clutch (.071") 24 Teeth (4.730" ID) A Pack (Use 85121).....	4.....	1036-302-015
129.....	85143.....	Steel, ZF4HP18 Forward Clutch (.040") 24 Teeth (5.200" ID) Waved (A Pack).....	1.....	1050-302-012
130.....	85122.....	Steel, ZF4HP18 Reverse Clutch (.071") 24 Teeth (5.200" ID) B Pack (Use 85122).....	3.....	1050-302-011
130.....	85121.....	Steel, ZF4HP14 Reverse Clutch (.071") 24 Teeth (4.730" ID) B Pack (Use 85121).....	3.....	1036-302-015
134.....	85122.....	Steel, ZF4HP18 Low/Reverse Clutch (.071") 24 Teeth (5.200" ID) D Pack (Use 85122).....	6.....	1050-302-011
134.....	85123.....	Steel, ZF4HP14 Low/Reverse Clutch (.047") 24 Teeth (4.730" ID) D Pack.....	5.....	1036-317-006
135.....	85143.....	Steel, ZF4HP18 Low/Reverse Clutch (.040") 24 Teeth (5.200" ID) D Pack (Waved).....	1.....	1050-302-012
139.....	K85AS.....	Steel Module, ZF4HP18.....	1.....	TBA
139.....	K85S.....	Steel Module, ZF4HP14.....	1.....	TBA
PRESSURE PLATES				
140.....	85179A.....	Pressure Plate, ZF4HP18 3-4 Clutch (3.075" ID) 30 Teeth (E Pack).....	1.....	1056271014
140.....	85719.....	Pressure Plate, ZF4HP14 3-4 Clutch (2.950" ID) 30 Teeth (E Pack).....	1.....	TBA
144.....	85717.....	Pressure Plate, ZF4HP18 Intermediate Clutch (4.688" ID) 12 Teeth (C Pack).....	1.....	1043302092
144.....	85717A.....	Pressure Plate, ZF4HP14 Intermediate Clutch (4.730" ID) 24 Teeth (C Pack).....	1.....	TBA
148.....	85718.....	Pressure Plate, ZF4HP18 Forward Clutch (5.200" ID) 24 Teeth (A Pack).....	1.....	TBA
148.....	85718A.....	Pressure Plate, ZF4HP14 Forward Clutch (4.730" ID) 24 Teeth (A Pack).....	1.....	TBA
150.....	85718.....	Pressure Plate, ZF4HP18 Reverse Clutch (5.200" ID) 24 Teeth (B Pack).....	1.....	1050302013
150.....	85718A.....	Pressure Plate, ZF4HP14 Reverse Clutch (4.730" ID) 24 Teeth (B Pack).....	1.....	TBA
154.....	85718.....	Pressure Plate, ZF4HP18 Low/Reverse Clutch (5.200" ID) 24 Teeth (D Pack).....	1.....	TBA
154.....	85718A.....	Pressure Plate, ZF4HP14 Low/Reverse Clutch (4.730" ID) 24 Teeth (D Pack).....	1.....	TBA
SEALING RINGS				
175.....	K85901A.....	Ring Kit, ZF4HP18 (Audi).....	1.....	TBA
175.....	K85901A.....	Ring Kit, ZF4HP18 (Alfa Romeo).....	1.....	TBA
175.....	K85901A.....	Ring Kit, ZF4HP18 (Eagle, Dodge).....	1.....	4HP18MPSR
175.....	K85901A.....	Ring Kit, ZF4HP14 (Peugeot).....	1.....	4HP14MPSR
175.....	K85901.....	Ring Kit, ZF4HP18 (Saab).....	1.....	4HP14MPSR
177.....	85306.....	Ring, ZF4HP14/ZF4HP18 Input Shaft To Turbine Shaft (Rear) 1.023" OD (Metal).....	1.....	750-113-012
177.....	85308T.....	Ring, ZF4HP18 Input Shaft To Turbine Shaft (Front) .868" OD (Teflon).....	2.....	501-309-030
177.....	85315.....	Ring, ZF4HP14 Input Shaft To Turbine Shaft (Front) .740" OD (Teflon).....	1.....	501-309-031
178.....	85311.....	Ring, ZF4HP18 Turbine Shaft To Stator (Rear) 1.260" OD (Metal).....	1.....	750-113-014
178.....	85310.....	Ring, ZF4HP14 Turbine Shaft To Stator (Rear) 1.145" OD (Metal).....	1.....	TBA
178.....	85307.....	Ring, ZF4HP18 Turbine Shaft To Stator (Front) 1.220" OD (Metal).....	1.....	750-113-013
178.....	85309.....	Ring, ZF4HP14 Turbine Shaft To Stator (Front) 1.098" OD (Metal).....	1.....	TBA
179.....	85301.....	Ring, ZF4HP18 Stator To Reverse Drum (2.285" OD) (Metal).....	2.....	750-113-015
179.....	85303.....	Ring, ZF4HP14 Stator To Reverse Drum (2.049" OD) (Metal) (Use 85303).....	2.....	750-113-024
181.....	85303.....	Ring, ZF4HP18 Stator To Fwd Drum (2.049" OD) (Also ZF4HP14 Stator To Rev Drum).....	1-3.....	750-113-024
181.....	85304.....	Ring, ZF4HP14 Stator To Forward Drum (1.898" OD) (Metal).....	1.....	750-113-005
185.....	85318.....	Ring, ZF4HP14 Planet (Rear) 3.940" OD (Metal).....	1.....	750-113-011
189.....	85314.....	Ring, ZF4HP14/ZF4HP18 Governor (2.205" OD) (Metal).....	2.....	750-113-027
189.....	85312.....	Ring, ZF4HP14/ZF4HP18 Governor (2.205" OD) (Rubber).....	2.....	0501306310
190.....	85312A.....	Ring, ZF4HP18 Governor Support (Rear, Large) (Rubber).....	4.....	734-313-075
190.....	85312B.....	Ring, ZF4HP18 Governor Support (Front, Small) (Rubber).....	1.....	734-313-052

ZF



ZF4HP14, ZF4HP18

ILL#	Part#		QTY	REF#
WASHERS & BEARINGS				
200.....	K85907.....	Washer Kit, ZF4HP18.....	1.....	TBA
200.....	K85905.....	Washer Kit, ZF4HP14 (Pump Selectives Only).....	1.....	TBA
200.....	K85906A.....	Washer Kit, ZF4HP18 (Pump Selectives Only).....	1.....	TBA
200.....	K85904.....	Washer Kit, ZF4HP14 (Pump Selectives Only).....	1.....	TBA
210.....	85401.....	Race, ZF4HP18 Stator To Band Drum (Eagle).....	1.....	1050322004
210.....	85401A.....	Race, ZF4HP18 Stator To Band Drum (Saab).....	1.....	TBA
211.....	85901.....	Washer, ZF4HP18 Stator To Band Drum (Plastic) Audi.....	1.....	TBA
211.....	85901A.....	Washer, ZF4HP18 Stator To Band Drum (Selective .045"-.152") Eagle.....	1.....	730105263
211.....	85901B.....	Washer, ZF4HP18 Stator To Band Drum (Selective .047"-.152") Saab.....	1.....	730150608
212.....	85402.....	Washer, ZF4HP18 Stator To Turbine Shaft (Eagle).....	1.....	TBA
213.....	85403.....	Race, ZF4HP18 3-4 Drum To 3-4 Hub (Front) Eagle.....	1.....	635290065
213.....	85403A.....	Race, ZF4HP18 3-4 Drum To 3-4 Hub (Front) Saab.....	1.....	TBA
214.....	85404.....	Bearing W/Race, ZF4HP18 3-4 Drum To 3-4 Hub (Audi).....	1.....	TBA
214.....	85404A.....	Bearing, ZF4HP18 3-4 Drum To 3-4 Hub (Eagle).....	1.....	750115424
214.....	85404B.....	Bearing, ZF4HP18 3-4 Drum To 3-4 Hub (Saab).....	1.....	TBA
215.....	85405.....	Race, ZF4HP18 3-4 Drum To 3-4 Hub (Rear) Eagle.....	1.....	TBA
216.....	85406.....	Race, ZF4HP18 3-4 Hub To Forward Hub (Front) Eagle.....	1.....	1050330032
216.....	85406A.....	Race, ZF4HP18 3-4 Hub To Forward Hub (Front) Saab.....	1.....	TBA
217.....	85407.....	Bearing, ZF4HP18 3-4 Hub To Forward Hub (Audi).....	1.....	TBA
217.....	85407A.....	Bearing, ZF4HP18 3-4 Hub To Forward Hub (Eagle).....	1.....	635302030
217.....	85407B.....	Bearing, ZF4HP18 3-4 Hub To Forward Hub (Saab).....	1.....	TBA
218.....	85408.....	Race, ZF4HP18 3-4 Hub To Forward Hub (Rear) Eagle.....	1.....	1050330033
218.....	85408A.....	Race, ZF4HP18 3-4 Hub To Forward Hub (Rear) Saab.....	1.....	TBA
219.....	85409.....	Caged Bearing, ZF4HP18 Forward Hub (Inner) Audi.....	1.....	TBA
220.....	85410.....	Washer, ZF4HP18 On Top Intermediate Sprag (Eagle).....	1.....	TBA
221.....	85411.....	Washer, ZF4HP18 Under Intermediate Sprag (Eagle).....	1.....	TBA
229.....	85412.....	Washer, ZF4HP18 Reverse Drum To Forward Drum (Plastic #4) Eagle & Audi.....	1.....	TBA
229.....	85412A.....	Washer, ZF4HP18 Reverse Drum To Forward Drum (Plastic #3) Eagle & Audi.....	1.....	1050331009
229.....	85412B.....	Race, ZF4HP18 Reverse Drum To Forward Drum (Saab).....	1.....	TBA
232.....	85413.....	Bearing W/Race, ZF4HP18 Forward Drum To 3-4 Drum (Audi).....	1.....	TBA
232.....	85413A.....	Washer, ZF4HP18 Forward Drum To 3-4 Drum (Black Plastic) Eagle.....	1.....	730150726
234.....	85414.....	Race, ZF4HP18 3rd Clutch Hub To Bowl (Front) Eagle.....	1.....	1050302016
234.....	85414A.....	Race, ZF4HP18 Forward Clutch Hub To Bowl (Front) Saab.....	1.....	635290066
235.....	85416.....	Bearing W/Race, ZF4HP18 Forward Clutch Hub To Bowl (Audi).....	1.....	TBA
235.....	85416A.....	Bearing, ZF4HP18 Forward Clutch Hub To Bowl (Eagle).....	1.....	635302032
235.....	85416B.....	Bearing, ZF4HP18 Forward Clutch To Bowl (Saab).....	1.....	TBA
236.....	85417.....	Race, ZF4HP18 Forward Clutch Hub To Bowl (Rear) Eagle.....	1.....	1050302015
236.....	85417A.....	Race, ZF4HP18 Forward Clutch Hub To bowl (Rear) Saab.....	1.....	TBA
244.....	85418.....	Bearing, ZF4HP18 Bowl To Rear Sun Gear (Audi).....	1.....	TBA
245.....	85419.....	Race, ZF4HP18 Bowl To Rear Sun Gear (Audi).....	1.....	TBA
246.....	85421.....	Race, ZF4HP18 Planet To Ring Gear (Front) Audi.....	1.....	TBA
247.....	85422.....	Bearing, ZF4HP18 Planet To Ring Gear (Audi).....	1.....	TBA
248.....	85423.....	Race, ZF4HP18 Planet To Ring Gear (Rear) Audi.....	1.....	TBA
250.....	85424.....	Bearing W/Race, ZF4HP18 Ring Gear To bolt (Audi).....	1.....	TBA
250.....	85424A.....	Race, ZF4HP18 Output Shaft Hub (Front) Eagle.....	1.....	1050332013
250.....	85424B.....	Race, ZF4HP18 Output Shaft Hub (Front) Saab.....	1.....	TBA
251.....	85425.....	Bearing, ZF4HP18 Output Shaft Hub (Front) Eagle.....	1.....	750115210
251.....	85425A.....	Bearing, ZF4HP18 Output Shaft Hub (Front) Saab.....	1.....	TBA
252.....	85426.....	Race, ZF4HP18 Output Shaft Hub (Front) Eagle.....	1.....	TBA
252.....	85426A.....	Race, ZF4HP18 Output Shaft Hub (Front) Saab.....	1.....	TBA
254.....	85427.....	Ball Bearing, ZF4HP18 Output Shaft (Eagle).....	1.....	TBA
257.....	85428.....	Washer, ZF4HP18 Stop Ring (Eagle).....	1.....	1050317010
260.....	85429.....	Washer, ZF4HP18 Fixing (Eagle).....	1.....	1050317024
260.....	85429A.....	Race, ZF4HP18 Rear Hub To Case (Saab).....	1.....	TBA
263.....	85431.....	Cone Bearing, ZF4HP18 Case To Nut (Audi).....	1.....	TBA
264.....	85432.....	Retaining Ring, ZF4HP18 Rear Sprag In Race To Lock Nut (Saab).....	1.....	1036317037
265.....	85433.....	Spring Washer, ZF4HP18 (Eagle).....	1.....	TBA
271.....	85434.....	Cone Bearing, ZF4HP18 Rear Cover To Nut (Audi).....	1.....	TBA
274.....	85435.....	Cone Bearing, ZF4HP18 Pinion Shaft (Eagle).....	1.....	750117525
275.....	85436.....	Ball Bearing, ZF4HP18 Axle Shaft To Case (Eagle).....	1.....	635331218
276.....	85437.....	Shim, ZF4HP18 Pinion Shaft (Selective) Eagle.....	1.....	TBA
276.....	85437A.....	Race, ZF4HP18 For Pinion Bearing (Saab).....	1.....	TBA
279.....	85438.....	Spacer, ZF4HP18 Tapered Bearing To Drive Gear (Audi).....	1.....	TBA
279.....	85438A.....	Cone Bearing, ZF4HP18 Transfer Gear (Eagle).....	6.....	TBA
289.....	85439.....	Cone Bearing, ZF4HP18 Differential Housing To Differential Cover (Eagle).....	1.....	750117250
291.....	85441.....	Cup Race, ZF4HP18 Differential To Case (Saab).....	1.....	TBA



ZF4HP14, ZF4HP18

ILL#	Part#		QTY	REF#
GASKETS & RUBBER COMPONENTS				
300.....	85501.....	Gasket, ZF4HP18 Bottom Pan (Rubber) Audi.....	1.....	TBA
300.....	85501.....	Gasket, ZF4HP18 Bottom Pan (Rubber) Eagle, Saab.....	1.....	1050301036
300.....	85500.....	Gasket, ZF4HP14 Bottom Pan (Cork) Peugeot.....	1.....	1036301182
304.....	85508.....	Gasket, ZF4HP18 End Cover (Eagle).....	1.....	750112065
304.....	85508A.....	Gasket, ZF4HP18 End Cover (Saab).....	1.....	0750-112-156
311.....	116516A.....	O-Ring, ZF4HP18 Pump (Eagle).....	1.....	734313064
318.....	85509.....	Gasket, ZF4HP14 Converter Housing To Main Case (Peugeot).....	1.....	750112022
318.....	85509A.....	Gasket, ZF4HP18 Converter Housing To Main Case (Saab).....	1.....	TBA
379.....	85503.....	Gasket, ZF4HP18 Valve Body To Filter.....	1.....	TBA
TECHNICAL MANUALS				
400.....	TMZF4HP22.....	Technical Manual, ZF4HP18 Audi & Porsche Technician Diagnostic.....	1.....	TBA
400.....	TMZF4HP18.....	Technical Manual, ZF4HP18 Eagle.....	1.....	83-ZF4HP18TM
400.....	TMZF4HP18SUP.....	Technical Manual, ZF4HP18 Saab (Supplement).....	1.....	TBA
ELECTRICAL COMPONENTS				
410.....	85997.....	Switch, ZF4HP18 Neutral Safety Switch (Eagle).....	1.....	0501-310-648
NI.....	82953.....	Solenoid, Pressure Regulator (All Except Audi).....	1.....	1050-227-018
NI.....	82954.....	Solenoid, Pressure Regulator (Audi, W/ Housing).....	1.....	1050-22-017
NI.....	82956.....	Solenoid, Shift.....	3.....	0750-132-105
NI.....	85998.....	Speed Sensor.....	1.....	0501-206-934
PUMPS & PUMP COMPONENTS				
510.....	85915.....	Pump Body W/Gears, ZF4HP18 (Audi).....	1.....	TBA
510.....	85915.....	Pump Body W/Gears, ZF4HP18 (Eagle).....	1.....	1050119003
510.....	85912.....	Pump Body W/Gears, ZF4HP14 (Peugeot).....	1.....	1036219017
510.....	85915A.....	Pump Body W/Gears, ZF4HP18 (Saab).....	1.....	1050219022
520.....	85914.....	Stator, ZF4HP18 (Pump Cover) Audi.....	1.....	TBA
520.....	85914.....	Stator, ZF4HP18 (Pump Cover) Eagle.....	1.....	835005279
520.....	85913.....	Stator, ZF4HP14 (Pump Cover) Peugeot.....	1.....	1036222040
520.....	85914A.....	Stator, ZF4HP18 (Pump Cover) Cast # 1050 422 092 (Saab).....	1.....	1050222051
520.....	85914AA.....	Stator, ZF4HP18 (Pump Cover) Cast # 1050 422 015 (Saab).....	1.....	TBA
507.....	85621.....	Valve, ZF4HP18 Cooler Relief (In Pump) Saab.....	1.....	1036322033
530.....	85201.....	Pump Gears, ZF4HP18 (Outer) Eagle.....	1.....	1050319028
530.....	85201A.....	Pump Gears, ZF4HP18 (Inner) Eagle.....	1.....	1050319029
DRUMS & CLUTCH HUBS				
550.....	85756.....	Drum, ZF4HP18 3-4 Clutch With Input Shaft (Audi).....	1.....	TBA
550.....	85756A.....	Drum, ZF4HP18 3-4 Clutch With Input Shaft (Eagle).....	1.....	TBA
550.....	85756AA.....	Drum, ZF4HP18 3-4 Clutch With Input Shaft (Saab).....	1.....	TBA
554.....	85939.....	Drum, ZF4HP18 Forward Clutch With Turbine Shaft (Audi).....	1.....	TBA
554.....	85939A.....	Drum, ZF4HP18 Forward Clutch (Eagle).....	1.....	TBA
554.....	85939AA.....	Drum, ZF4HP14 Forward Clutch (Peugeot).....	1.....	1036302062
554.....	85939AB.....	Drum, ZF4HP18 Forward Clutch With Piston (Saab).....	1.....	TBA
556.....	85742.....	Drum, ZF4HP18 Reverse Clutch (Front) Band Drum (Audi).....	1.....	1050231047
556.....	85742A.....	Drum, ZF4HP18 Reverse Clutch (Front) Band Drum (Eagle).....	1.....	TBA
556.....	85742AA.....	Drum, ZF4HP14 Reverse Clutch (Front) Band Drum (Peugeot).....	1.....	1036231037
556.....	85742AB.....	Drum, ZF4HP18 Reverse Clutch (Front) Band Drum (Saab).....	1.....	TBA
570.....	85760.....	Clutch Hub, ZF4HP18 With Shaft 3-4 Clutch (Audi).....	1.....	TBA
570.....	85760A.....	Clutch Hub, ZF4HP18 With Shaft 3-4 Clutch (Eagle).....	1.....	TBA
570.....	85760B.....	Clutch Hub, ZF4HP18 With Shaft 3-4 Clutch (Saab).....	1.....	TBA
574.....	85762.....	Clutch Hub, ZF4HP18 With Shaft Forward Clutch (Audi).....	1.....	TBA
574.....	85762A.....	Clutch Hub, ZF4HP18 With Shaft Forward Clutch (Eagle).....	1.....	TBA
574.....	85762B.....	Clutch Hub, ZF4HP18 With Shaft Forward Clutch (Saab).....	1.....	TBA
575.....	85763.....	Clutch Hub, ZF4HP18 Low/Reverse Clutch (Audi).....	1.....	TBA
PLANETS, SHELLS & CENTER SUPPORTS				
584.....	85768A.....	Planet, ZF4HP18 (Audi).....	1.....	TBA
584.....	85768.....	Planet, ZF4HP18 (Eagle).....	1.....	TBA
584.....	85768B.....	Planet, ZF4HP14 (Peugeot).....	1.....	TBA
584.....	85768C.....	Planet, ZF4HP18 (Saab).....	1.....	TBA
594.....	85770.....	Ring Gear, ZF4HP18 Planet With 75 Teeth Transfer Drive Gear (Audi).....	1.....	TBA
594.....	85770A.....	Ring Gear, ZF4HP18 Planet (Eagle).....	1.....	TBA
594.....	85770B.....	Ring Gear, ZF4HP18 Planet (Saab).....	1.....	TBA
614.....	85766.....	Sun Gear, ZF4HP18 (21 Teeth) (Audi).....	1.....	TBA
614.....	85766A.....	Sun Gear, ZF4HP18 (Eagle).....	1.....	TBA
614.....	85766B.....	Sun Gear, ZF4HP14 (Peugeot).....	1.....	1036332061



ZF4HP14, ZF4HP18

ILL#	Part#		QTY	REF#
614	85766C	Sun Gear, ZF4HP18 (Saab)	1	TBA
624	85764A	Shell, ZF4HP18 Sun Shell With Front Sun Gear (27 Teeth) (Audi)	1	TBA
624	85764	Bowl, ZF4HP18 Sun Shell (Eagle)	1	TBA
624	85764B	Shell, ZF4HP18 Sun Shell (Saab)	1	1050231022
626	85772	Shell, ZF4HP18 Rear (Aluminum) (Eagle)	1	TBA
626	85772A	Shell, ZF4HP18 Rear (Aluminum) (Saab)	1	TBA
630	85773	Center Support, ZF4HP18 With Sprag (Audi)	1	TBA
631	85773A	Center Support Molded Piston, ZF4HP18 (Audi)	1	TBA

SPRAGS & ONE WAY CLUTCHES

642	K85724	Sprag Assembly, ZF4HP18 Intermediate With Races (Eagle)	1	1050231026
642	K85724A	Sprag Assembly, ZF4HP18 Intermediate With Races (Saab)	1	1050231023
652	85724	Sprag, ZF4HP18 Intermediate (Eagle)	1	TBA
654	85725	Sprag, ZF4HP18 Rear (Eagle)	1	501207061
654	85726	Sprag, ZF4HP14 Rear (Peugeot)	1	501207060
654	85726A	Sprag, ZF4HP18 Rear (Saab)	1	TBA
662	85771	Inner Race, ZF4HP18 Intermediate Sprag (Eagle)	1	TBA
663	85772	Outer Race, ZF4HP18 Intermediate Sprag (Eagle)	1	TBA
664	85774	Inner Race, ZF4HP18 Rear Sprag (Eagle)	1	1050317057
664	85774A	Inner Race, ZF4HP14 Rear Sprag (Peugeot)	1	1036317024
664	85774AA	Inner Race, ZF4HP18 Rear Sprag (Saab)	1	1050317036
665	85777	Outer Race, ZF4HP18 Rear Sprag (Eagle)	1	TBA
665	85777A	Outer Race, ZF4HP14 Rear Sprag (Peugeot)	1	1036217003
665	85777A	Outer Race, ZF4HP18 Rear Sprag (Saab)	1	TBA

SHAFTS, GOVERNORS & DIFFERENTIALS

671	85622	Pump Drive Sleeve, ZF4HP18 (Eagle)	1	TBA
673	85748	Turbine Shaft, ZF4HP18 (Eagle)	1	1050202006
673	85748A	Turbine Shaft, ZF4HP18 (Saab)	1	1050202005
677	85623	Shaft, ZF4HP18 Differential Drive (Audi)	1	TBA
677	85623A	Shaft, ZF4HP18 Differential Drive (Eagle)	1	TBA
677	85623B	Shaft W/Bearing, ZF4HP18 Differential Drive (Saab)	1	TBA
678	85779	Output Shaft, ZF4HP18 With Hub (Eagle)	1	1050214003
678	85779A	Output Shaft, ZF4HP18 With Hub (Saab)	1	1050214006
680	85792	Governor, ZF4HP18 With Support (Eagle)	1	TBA
680	85792A	Governor, ZF4HP18 With Support (Saab)	1	1050333180
685	85792AA	Support, ZF4HP18 Governor (Cast Iron) (Eagle)	1	TBA
686	85624	Cover, ZF4HP18 Governor (Eagle)	1	TBA
687	85625	Collar, ZF4HP18 Spacer Above Governor (Eagle)	1	TBA
697	85447	Support Housing, ZF4HP18 Governor (Aluminum) (Eagle)	1	TBA
697	85793	Support Housing, ZF4HP18 Governor (Steel)	1	TBA
710	85782	Gear, ZF4HP18 Drive Transfer (85 Teeth) (Audi)	1	TBA
710	85782A	Gear, ZF4HP18 Drive Transfer (36 Teeth) (Eagle)	1	TBA
710	85782AA	Gear, ZF4HP18 Drive Transfer (59 Teeth) (Saab)	1	TBA
712	85786	Gear, ZF4HP18 Driven Transfer (27 Teeth) (Eagle)	1	TBA
712	85786A	Gear, ZF4HP18 Driven Transfer (53 Teeth) (Saab)	1	TBA
714	85784	Idler Gear, ZF4HP18 Transfer (31 Teeth Top & Bottom) (Eagle)	1	TBA
715	K85794	Differential Assy W/ Ring Gear (31T Ring Gear) Audi	1	TBA
715	K85794A	Differential Assy W/ Ring Gear (35T Ring Gear) Eagle	1	TBA
715	K85794AA	Differential Assy W/ Ring Gear (77T Ring Gear) Saab	1	TBA
724	85704	Cover, ZF4HP18 Differential (Audi)	1	TBA
724	85704A	Cover, ZF4HP18 Differential (Eagle)	1	TBA
730	85846	Pinion, ZF4HP18 (9 Teeth) Audi	1	TBA
730	85846A	Ring & Pinion Set, ZF4HP18 (Eagle)	1	TBA
730	85846AA	Pinion, ZF4HP18 (18 Teeth) Saab	1	TBA
735	85626	Retainer, ZF4HP18 Pinion (Eagle)	1	TBA

VALVE BODIES (DACCO VB#)

740	ZF-9301	Valve Body, ZF4HP14, 1986-Up	1	TBA
740	ZF-9302	Valve Body, ZF4HP18, 1986-Up	1	TBA
740	ZF-9303	Valve Body, ZF4HP18 (Eagle), 1986-Up	1	TBA

VALVE BODIES

740	85991	Valve Body, ZF4HP18 (Cast #) Audi	1	TBA
740	85991A	Valve Body, ZF4HP18 (Audi) 4 Solenoids (Cast # 1050 427)	1	TBA
740	85991B	Valve Body, ZF4HP18 (Audi) No Solenoids (Cast # 1050 426)	1	TBA
740	85991C	Valve Body, ZF4HP18 (Cast #) 4 1/4" Long Manual Shaft Valve (Eagle)	1	4549231
740	85991D	Valve Body, ZF4HP18 (Cast #) (Saab)	1	TBA



ZF4HP14, ZF4HP18

ILL#	Part#		QTY	REF#
VALVE BODY COMPONENTS				
741.....	85991-01.....	Valve, ZF4HP14/ZF4HP18 Pressure Reg (Oversize)Requires: 85999-TL.....	1.....	85991-01
991.....	85991-TL.....	Reamer & Jig, ZF4HP14/ZF4HP18 For 85991-01 (Sonnax).....	1.....	85991-TL
749.....	85627.....	Cam Assembly, ZF4HP18 Throttle (Eagle).....	1.....	TBA
HOUSINGS, CASES & PANS				
750.....	85703.....	Bell Housing, ZF4HP18 (Saab).....	1.....	TBA
757.....	85788.....	Flange Adapter, ZF4HP18 (For Rear Cover) Eagle.....	1.....	TBA
758.....	85790.....	Cover, ZF4HP18 Differential (Eagle).....	1.....	TBA
759.....	85790A.....	Rear Cover, ZF4HP18 (6 Bolt) Audi.....	1.....	TBA
759.....	85790B.....	Rear Cover, ZF4HP18 (Eagle).....	1.....	TBA
759.....	85790C.....	Rear Cover, ZF4HP18 (Saab).....	1.....	TBA
760.....	85707.....	Case, ZF4HP18 (Cast #) Audi.....	1.....	TBA
760.....	85707A.....	Case, ZF4HP18 With Pinion Shaft (Eagle).....	1.....	TBA
760.....	85707AA.....	Case, ZF4HP18 (Cast #) Saab.....	1.....	TBA
765.....	85801.....	Pan, ZF4HP18 Bottom (Audi).....	1.....	TBA
765.....	85801A.....	Pan, ZF4HP18 Bottom (Eagle).....	1.....	TBA
767.....	85801AA.....	Pan, ZF4HP18 Top (Saab).....	1.....	TBA
SERVOS, PISTONS & MISCELLANEOUS				
796.....	85081.....	Nut, ZF4HP18 Pinion (Eagle).....	1.....	TBA
797.....	85082.....	Slotted Nut, ZF4HP18 Rear Sprag Race (Saab).....	1.....	1036317038
861.....	85601.....	Snap Ring, ZF4HP18 Holds 3-4 Pressure Plate In Drum (Eagle).....	1.....	730513288
862.....	85628.....	Retainer, ZF4HP18 3-4 Clutch Return Spring (Eagle).....	1.....	1056371009
900.....	K85997.....	Servo Assembly, ZF4HP18 (Eagle).....	1.....	TBA
901.....	85629.....	Spring, ZF4HP18 Outer Servo (Eagle).....	1.....	TBA
902.....	85997.....	Piston, ZF4HP18 Servo (Eagle).....	1.....	TBA
902.....	85701-01.....	Washers, ZF4HP18, 2-4 Servo Cushion, Belleville Type (2-Washers) Sonnax.....	1.....	TBA
904.....	85630.....	Cover, ZF4HP18 Servo (Eagle).....	1.....	TBA
906.....	85631.....	Spring, ZF4HP18 Inner Servo (Eagle).....	1.....	TBA
960.....	85728.....	Piston, ZF4HP18 3-4 Clutch (Eagle).....	1.....	TBA
962.....	85672.....	Piston, ZF4HP18 Intermediate Clutch (Eagle).....	1.....	TBA
962.....	85672A.....	Piston, ZF4HP18 Intermediate Clutch (Saab).....	1.....	TBA
964.....	85752.....	Piston, ZF4HP18 Forward Clutch (Eagle, Saab).....	1.....	1050302033
966.....	85676.....	Piston, ZF4HP18 Reverse Clutch (Outer Piston) Eagle.....	1.....	TBA
966.....	85676A.....	Piston, ZF4HP18 Reverse Clutch (Inner Piston) Eagle.....	1.....	TBA
967.....	85446.....	Piston, ZF4HP18 Low/Reverse Clutch (Eagle).....	1.....	TBA
967.....	85776A.....	Piston, ZF4HP18 Low/Reverse Clutch (Saab).....	1.....	TBA
970.....	85733.....	Spring, ZF4HP18 3-4 Clutch Diaphragm (Eagle).....	2.....	1036330015
972.....	85731.....	Spring, ZF4HP18 Intermediate Clutch Diaphragm (Eagle).....	1.....	1050331021
972.....	85731A.....	Spring, ZF4HP18 Intermediate Clutch Diaphragm (Saab).....	1.....	TBA
974.....	85720.....	Spring, ZF4HP18 Forward Clutch Return (Eagle).....	1.....	1050302021
976.....	85732A.....	Spring, ZF4HP18 Reverse Clutch Return (Eagle).....	1.....	1050331020
976.....	85732B.....	Spring, ZF4HP14 Reverse Clutch Return (Peugeot).....	1.....	1036331048
977.....	85735.....	Spring, ZF4HP18 Low/Reverse Clutch Diaphragm (Eagle).....	1.....	1050317015
977.....	85735A.....	Spring, ZF4HP18 Low/Reverse Clutch Diaphragm (Saab).....	1.....	TBA
979.....	85738.....	Spring, ZF4HP18 For Center Support (Audi).....	1.....	TBA
984.....	85861.....	Retainer, ZF4HP18 Forward Clutch Piston (Aluminum) Eagle.....	1.....	1050302020
986.....	85727.....	Retainer, ZF4HP18 Reverse Clutch Return Spring (Eagle).....	1.....	1050331008
986.....	85727A.....	Retainer, ZF4HP14 Reverse Clutch Return Spring (Peugeot).....	2.....	1036331040
991.....	K85632.....	Linkage Assembly, ZF4HP18 Internal (Eagle).....	1.....	TBA
998.....	85633.....	Cooler, ZF4HP18 (Eagle).....	1.....	TBA
999.....	85634.....	Oil Tube, ZF4HP18 (Eagle).....	1.....	TBA