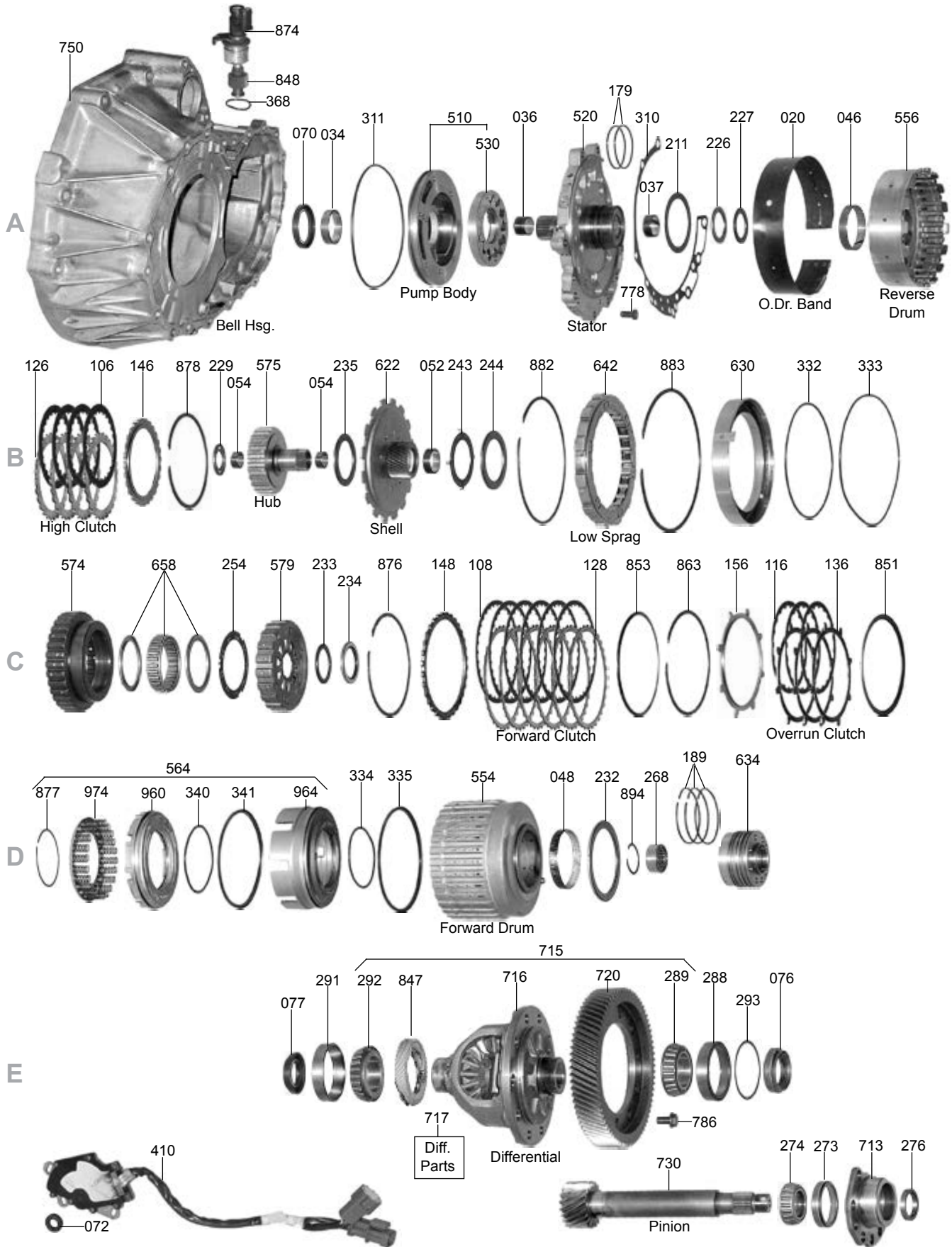
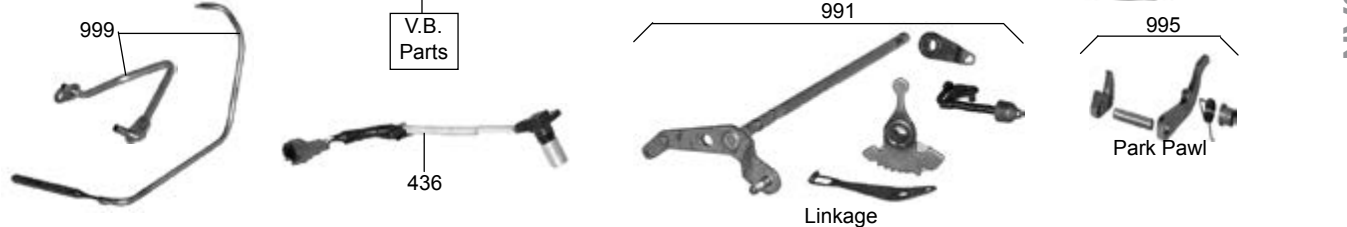
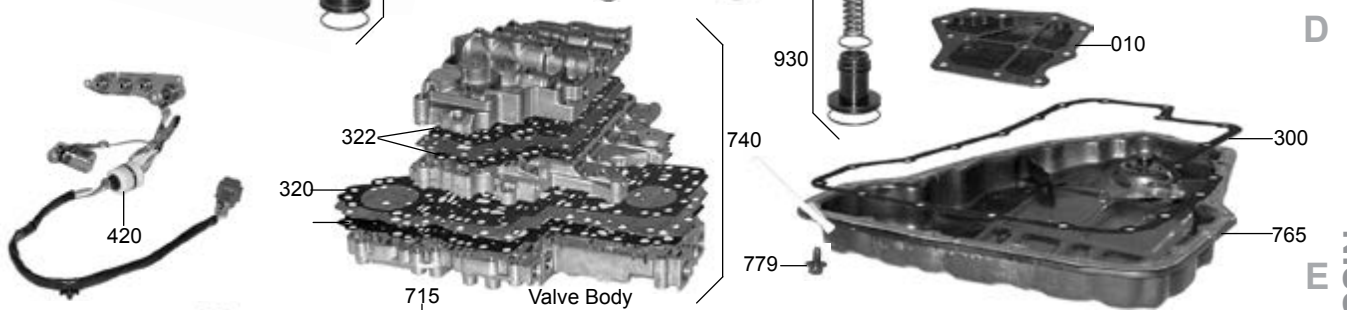
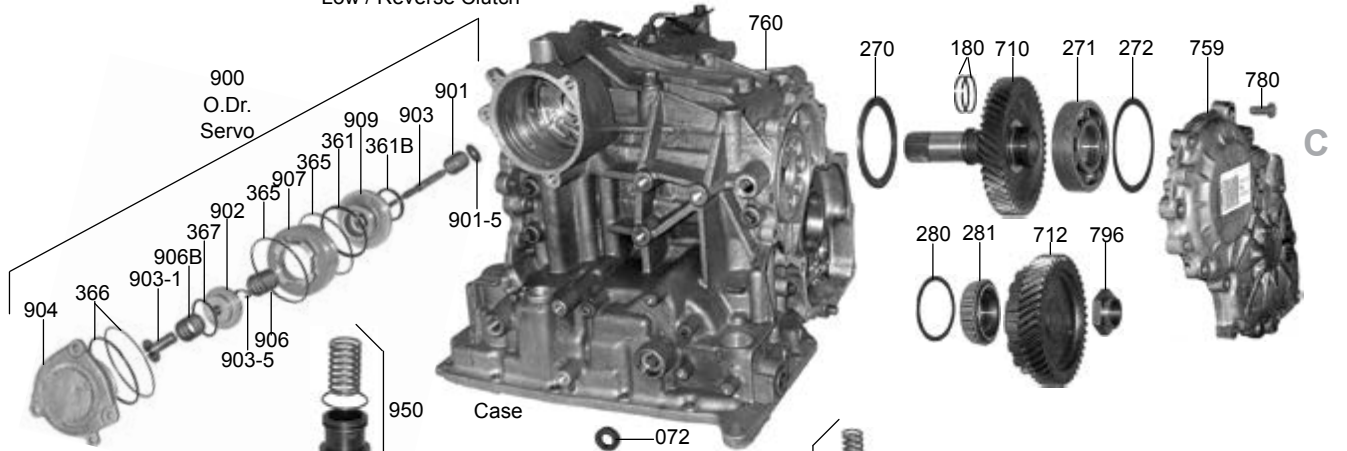
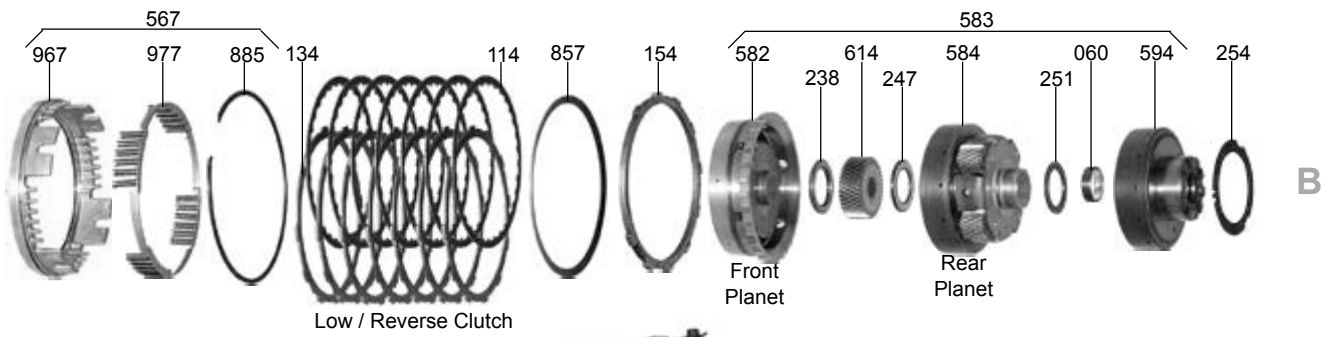
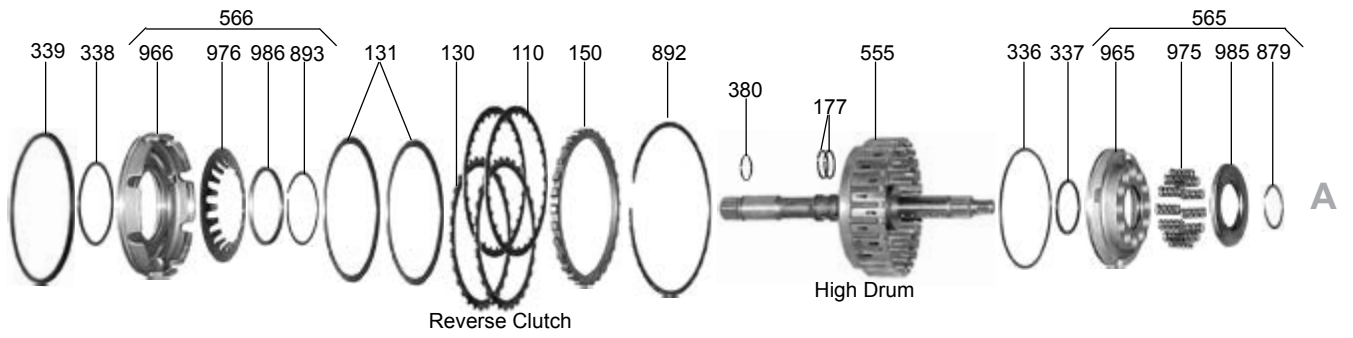


RE4F04A-B-V, 4F20E, JF403E, LJ4A-EL



RE4F04A-B-V, 4F20E, JF403E, LJ4A-EL



RL/RE4F03A, RE4F04A/V, 4F20E, JF403, LJ4A-EL, RE4F04B

ILL#	Part#		QTY	REF#
OVERHAUL KITS & PISTON KITS				
NI.....	K99900.....	Overhaul Kit, RL4F03A/RE4F03A/RE4F03V (Sentra, Infinity G20) 1991-Up	1.....	N/A
NI.....	K99900D.....	Overhaul Kit, RE4F03A/B, W/ Pistons, 2007-Up.....	1.....	N/A
NI.....	K99900DX.....	Overhaul Kit, RE4F03A/B, W/Out Pistons, 2007-Up.....	1.....	N/A
NI.....	K64900.....	Overhaul Kit, JF403E / LJ4A-EL (Mazda, Geo, Isuzu) 1990-Up	1.....	N/A
NI.....	K63900.....	Overhaul Kit, RE4F04A/RE4F04V/4F20E (Altima, Maxima W/ DOHC, Quest, Villager, 92-Up	1.....	N/A
NI.....	K63900J.....	Overhaul Kit, RE4F04B, 2000-05 (W/ Pistons) Maxima 3.0L/3.5L 2003-05, Altima	1.....	N/A
		2003-05, Quest 2004-05, Sentra SE-R 2003-05, Infiniti I30 2000-02, I35-2002		
NI.....	K63900JX.....	Overhaul Kit, RE4F04B, 2000-05 (W/O Pistons) Maxima 3.0L/3.5L 2003-05, Altima	1.....	N/A
		2003-05, Quest 2004-05, Sentra SE-R 2003-05, Infiniti I30 2000-02, I35-2002		
NI.....	K63900J-99.....	Piston Kit, RE4F04B, 2000-05 (2-Pistons) 2000-Up	1.....	N/A
NI.....	K99900D-99.....	Piston Kit, RE4F03A/B, 2007-Up.....	1.....	N/A
MASTER L/STEEL KITS				
NI.....	DK9900S.....	Master L/Steels Kit, RL/RE4F03A/RE4F03V, Sentra/200SX 9/92-05 ("XE" Only 8/90-8/92) G20 1990-02	1.....	N/A
NI.....	DK9900DS.....	Master L/Steels Kit, RE4F03A/B, W/ Pistons, 2007-Up	1.....	N/A
NI.....	DK9900DXS.....	Master L/Steels Kit, RE4F03A/B, W/Out Pistons, 2007-Up.....	1.....	N/A
NI.....	DK6400S.....	Master L/Steels Kit, JF403E (Mazda, Geo, Isuzu) 1990-Up.....	1.....	N/A
NI.....	DK6400AS.....	Master L/Steels Kit, LJ4A-EL (Millenia 2.3L Supercharged) 1995-Up.....	1.....	N/A
NI.....	DK6300S.....	Master L/Steels Kit, RE4F04A/RE4F04V/4F20E, (W/21T High Frictions) Mercury Villager.....	1.....	N/A
		1993-95, Altima 6/92-7/94, Quest 4/92-6/94, Maxima 7/91-2/94 W/DOHC.....		
NI.....	DK6300HS.....	Master L/Steels Kit, RE4F04A/RE4F04V/4F20E, (W/24T High Frict) Altima 2.4L 7/94 -03,	1.....	N/A
		Maxima W/ DOHC, 2/94-03, Quest 6/94-02, Mercury Villager 1995-02, Infiniti I30 3/95-99		
NI.....	DK6300JS.....	Master L/Steels Kit, RE4F04B W/ Bonded Pistons, Maxima 3.0L/3.5L 2003-05, Altima	1.....	N/A
		2003-05, Quest 2004-05, Sentra SE-R 2003-05, Infiniti I30 2000-02, I35-2002		
NI.....	DK6300JXS.....	Master L/Steels Kit, RE4F04B W/Out Bonded Pistons, Maxima 3.0L/3.5L 2003-05, Altima	1.....	N/A
		2003-05, Quest 2004-05, Sentra SE-R 2003-05, Infiniti I30 2000-02, I35-2002		
MASTER W/STEELS KITS				
NI.....	DK9900.....	Master W/Steels Kit, RL/RE4F03A/RE4F03V, Sentra/200SX 9/92-05 ("XE" Only 8/90-8/92) G20 1990-02	1.....	N/A
NI.....	DK9900DS.....	Master W/Steels Kit, RE4F03A/B, W/ Pistons, 2007-Up	1.....	N/A
NI.....	DK9900DXS.....	Master W/Steels Kit, RE4F03A/B, W/Out Pistons, 2007-Up.....	1.....	N/A
NI.....	DK6400.....	Master W/Steels Kit, JF403E (Mazda, Geo, Isuzu) 1990-Up.....	1.....	N/A
NI.....	DK6400A.....	Master W/Steels Kit, LJ4A-EL (Millenia 2.3L Supercharged) 1995-Up	1.....	N/A
NI.....	DK6300.....	Master W/Steels Kit, RE4F04A/RE4F04V/4F20E, (W/21T High Frict) Mercury Villager	1.....	N/A
		1993-95, Altima 6/92-7/94, Quest 4/92-6/94, Maxima 7/91-2/94 W/DOHC.....		
NI.....	DK6300H.....	Master W/Steels Kit, RE4F04A/RE4F04V/4F20E, (W/24T High Frict) Altima 2.4L 7/94 -03,	1.....	N/A
		Maxima W/ DOHC, 2/94-03, Quest 6/94-02, Villager 1995-02, Infiniti I30 3/95-99		
NI.....	DK6300J.....	Master W/Steels Kit, RE4F04B W/ Bonded Pistons, Maxima 3.0L/3.5L 2003-05, Altima	1.....	N/A
		2003-05, Quest 2004-05, Sentra SE-R 2003-05, Infiniti I30 2000-02, I35-2002		
NI.....	DK6300JX.....	Master W/Steels Kit, RE4F04B W/Out Bonded Pistons, Maxima 3.0L/3.5L 2003-05, Altima	1.....	N/A
		2003-05, Quest 2004-05, Sentra SE-R 2003-05, Infiniti I30 2000-02, I35-2002		
FILTERS				
010.....	99710.....	Filter, RL/RE4F03A/V/B, 1990-Up.....	1.....	31728-31X01
010.....	64710.....	Filter, JF403E (Isuzu, Impulse, Stylus) 1990-94.....	1.....	94385937
010.....	64710A.....	Filter, LJ4A-EL (Mazda, Millenia 2.3L) 1995-Up.....	1.....	FX01-19-815
010.....	63710.....	Filter, RE4F04A/RE4F04V/4F20E (Nissan & Mercury Villager) 1992-Up.....	1.....	31728-80X03
010.....	63710A.....	Filter, RE4F04A/4F20E (Ford, Infinity, Nissan) 1997-On.....	1.....	TBA
010.....	63711.....	Filter, RE4F04B (1 3/8" Pick-Up Tube) 2002-Up.....	1.....	31728-85X01
010.....	63711A.....	Filter, RE4F04B, Altima, 2005-Up.....	1.....	31728-85X0A
BANDS				
020.....	99700.....	Band, RL4F03A/RE4F03A/RE4F03V Overdrive W/Out Tab, 1991-99.....	1.....	31630-31X01
020.....	99700A.....	Band, RL4F03A/RE4F03A/RE4F03V Overdrive W/ Tab, 2000-Up	1.....	31630-31X03
020.....	99700B.....	Seal, RE4F03A/B, 2007-Up.....	1.....	TBA
020.....	63700.....	Band, RE4F04A/4F20E/RE4F04B, Overdrive (1 5/8" Wide).....	1.....	31630-80X02
020.....	64700.....	Band, JF403E/LJ4A-EL Overdrive (1 9/16" Wide).....	1.....	94385793
BUSHINGS				
030.....	K99000.....	Bushing Kit, RL4F03A/RE4F03A/RE4F03V.....	1.....	TBA
030.....	K63000.....	Bushing Kit, RE4F04A/RE4F04V.....	1.....	TBA
034.....	99005.....	Bushing, RL4F03A/RE4F03A/B Pump Body.....	1.....	TBA
034.....	63005.....	Bushing, RE4F04A Pump Body.....	1.....	TBA
037.....	99003.....	Bushing, RL4F03A/RE4F03A Stator (Rear).....	1.....	TBA
037.....	63003.....	Bushing, RE4F04A Stator (Rear).....	1.....	TBA
046.....	63006.....	Bushing, RE4F04A Reverse Drum.....	1.....	TBA

RL/RE4F03A, RE4F04A/V, 4F20E, JF403, LJ4A-EL, RE4F04B

ILL#	Part#		QTY	REF#
METAL CLAD SEALS				
070.....	64151.....	Seal, RL/RE4F03A/V/RE4F03B, Front 1990-Up.....	1.....	TBA
070.....	63150.....	Seal, RE4F04A/V/4F20E/RE4F04B Front 1992-Up.....	1.....	TBA
070.....	64151.....	Seal, JF403E / LJ4A-EL Front 1990-Up.....	1.....	TBA
072.....	78197.....	Seal, RL/RE4F03A/V/B / RE4F04A/V/B / 4F20E, Manual Lever 1990-Up.....	1.....	TBA
076.....	99152.....	Seal, RL/RE4F03A/V/RE4F03B Axle (Conv Hsg Side) (1.6L Sentra) 1990-Up.....	1-2.....	TBA
076.....	99154.....	Seal, RL/RE4F03A/V/RE4F03B Axle (Conv Hsg Side) (Exc 1.6L Sentra) 1990-Up.....	2.....	TBA
076.....	99154.....	Seal, RE4F03A/B Axle (Conv Hsg Side) 2007-Up.....	1.....	TBA
076.....	93152.....	Seal, RE4F04A/RE4F04V/4F20E Axle (Conv Hsg Side) 1991-Up.....	1.....	TBA
076.....	75152.....	Seal, JF403E Axle (Both Sides) 1990-Up.....	2.....	TBA
076.....	91152.....	Seal, LJ4A-EL Axle (Both Sides) 1994-Up.....	2.....	TBA
076.....	63153B.....	Seal, RE4F04B Axle (Conv Hsg Side) 2000-Up.....	1.....	TBA
077.....	99152.....	Seal, RL/RE4F03A/V/RE4F03B Axle (Diff Hsg Side) (Exc Non-Slip Diff) 1990-Up.....	1-2.....	TBA
077.....	99155.....	Seal, RL/RE4F03A/V/RE4F03B Axle (Diff Hsg Side) (W/ Non-Slip Diff) 1990-Up.....	1.....	TBA
077.....	125152A.....	Seal, RE4F03A/B Axle (Diff Hsg Side) 2007-Up.....	1.....	TBA
077.....	63152.....	Seal, RE4F04A/RE4F04V/4F20E Axle (Diff Hsg Side) (Exc Non-Slip Diff) 1991-Up.....	1.....	TBA
077.....	99154A.....	Seal, RE4F04A/RE4F04V/4F20E Axle (Diff Hsg Side) (W/ Non-Slip Diff) 1991-Up.....	1.....	TBA
077.....	63152B.....	Seal, RE4F04B Axle (Diff Hsg Side) 2000-Up.....	1.....	TBA
NI.....	63164B.....	Seal, RE4F04B Low/Rev Brake Tube 2000-Up.....	1.....	TBA
FRICTIONS				
106.....	99102A.....	Friction, RL4F03A / V High Clu (.079") 20T (4.190" OD) (.170" Teeth) 1.6L, 1991-Up.....	4.....	TBA
106.....	99102.....	Friction, RL4F03A/V High Clu (.063") 20T(4.190" OD) (.265" Teeth) Exc 1.6L 1991-Up.....	4.....	TBA
106.....	63100.....	Friction, RE4F04A/4F20E High Clutch (.063") 21 Teeth (4.400" OD) 1991-5/1994.....	4.....	TBA
106.....	63100A.....	Friction, RE4F04A/4F20E High Clutch (.063") 24 Teeth (4.400" OD) 6/1994-Up.....	4.....	TBA
106.....	64104.....	Friction, JF403E High Clutch (.063") 20 Teeth (4.400" OD).....	3-4.....	TBA
108.....	99104.....	Friction, RE4F03A/RE4F03V Forward Clutch (.071") 30 Teeth (4.970" OD) 1991-Up.....	5.....	TBA
108.....	64106.....	Friction, RE4F04A/4F20E/JF403E Forward Clutch (.063") 32 Teeth (5.416" OD).....	4-5.....	TBA
108.....	64106A.....	Friction, LJ4A-EL Forward Clutch (.055") 32 Teeth (Millenia) 1995-Up.....	6.....	TBA
110.....	99100.....	Friction, RL4F03A/RL4F03V Reverse Clutch (.077") 18 Teeth (5.140" OD) 1991-Up.....	2.....	TBA
110.....	64102.....	Friction, RE4F04A/4F20E/JF403E Reverse Clutch (.063") 28 Teeth (5.500" OD).....	2.....	TBA
110.....	64102A.....	Friction, RE4F04B Reverse Clutch (.063") 28 Teeth (5.800" OD) 2000-Up.....	2.....	TBA
114.....	99108.....	Friction, RL4F03A/RL4F03V Low/Reverse Clutch (.079", 30T, 5.895" OD) 1991-7/97.....	5.....	TBA
114.....	99108A.....	Friction, RE4F03A/RE4F03V Low Rev Clu (.077", 30T, 5.940" OD) 8/97-Up.....	5.....	TBA
114.....	64110.....	Friction, JF403E Low/Reverse Clutch (.063") 32 Teeth (6.500" OD) 1990-Up.....	6-7.....	TBA
114.....	63102.....	Friction, RE4F04A/4F20E Low/Reverse Clutch (.071") 32 Teeth (6.500" OD) 1990-Up.....	6-7.....	TBA
116.....	99106.....	Friction, RL4F03A/RL4F03V Overrun Clutch (.063") 18 Teeth (4.610" OD).....	3.....	TBA
116.....	64108.....	Friction, RE4F04A/4F20E/JF403E Overrun Clutch (.063") 20 Teeth (5.00" OD) 1990-Up.....	3.....	TBA
119.....	RK99F.....	Friction Module, RL4F03A/RE4F03A/RE4F03V 1990-Up.....	1.....	TBA
119.....	RK99DF.....	Friction Module, RE4F03A/B, 2007-Up.....	1.....	TBA
119.....	RK63F.....	Friction Module, RE4F04A/RE4F04V/4F20E (W/ 21T & 24T Hi Frictions) 1992-Up.....	1.....	TBA
119.....	K63HF.....	Friction Module, RE4F04A/RE4F04V/4F20E (W/ Only 24T Hi Frictions) 1994-Up.....	1.....	TBA
STEELS				
126.....	99103.....	Steel, RL4F03A/RL4F03V High Clutch (.079") 18 Teeth (3.420" ID) 1991-Up.....	5.....	TBA
126.....	99103A.....	Steel, RE4F03A High Clutch (.059") 18 Teeth (3.420" ID) 1993-Up.....	6.....	TBA
126.....	63101.....	Steel, RE4F04A/RE4F04V High Clutch (.059") 28 Teeth (3.615" ID) 1992-Up.....	6.....	TBA
126.....	63101A.....	Steel, RE4F04A/4F20E High Clutch (.079") 28 Teeth (3.615" ID) 1992-Up.....	1.....	TBA
126.....	64105.....	Steel, JF403E High Clutch (.087") 28 Teeth (3.700" ID) 1990-92 (Uses 1 In 1993-Up).....	5.....	TBA
126.....	64105A.....	Steel, JF403E High Clutch (.079") 28 Teeth (3.700" ID) 1993-Up.....	6.....	TBA
128.....	99105.....	Steel, RL4F03A/RL4F03V Forward Clutch (.079") 30 Teeth (4.525" ID) 1991-Up.....	5.....	TBA
128.....	64107.....	Steel, RE4F04A/4F20E/JF403E Forward Clutch (.071") 32T (4.930" ID) 1990-UP.....	5-6.....	TBA
128.....	64107A.....	Steel, LJ4A-EL Forward Clutch (.055") 32 Teeth (Millenia) 1995-Up.....	6.....	TBA
130.....	99101.....	Steel, RL4F03A/RL4F03V Reverse Clutch (.079") 30 Teeth (4.650" ID) 1991-Up.....	2.....	TBA
130.....	64101.....	Steel, RE4F04A/4F20E/JF403E/LJ4A-EL Rev Clu (.071") 30T (4.957" ID) 1990-Up.....	2.....	TBA
130.....	64101A.....	Steel, RE4F04B Reverse Clutch (.071") 32 Teeth (4.957" ID) 2000-Up.....	2.....	TBA
131.....	99114.....	Steel, RE4F03A/RE4F03V Reverse Clutch (Dished) 10 Teeth (4.650" ID) 1991-Up.....	2.....	TBA
134.....	99109.....	Steel, RL4F03A/RL4F03V Low/Rev Clu (.079") 10 Teeth (5.470" ID) 1991-Up.....	5.....	TBA
134.....	63103.....	Steel, RE4F04A/4F20E Low/Rev Clu (.071") 10 Narrow Teeth (5.910" ID) 1992-Up.....	6-8.....	TBA
134.....	64111.....	Steel, JF403E Low/Reverse Clutch (.071") 10 Wide Teeth (5.910" ID) 1990-Up.....	6.....	TBA
136.....	99107.....	Steel, RL4F03A/RL4F03V Overrun Clutch (.079") 6 Teeth (4.130" ID) 1991-Up.....	5.....	TBA
136.....	64109.....	Steel, RE4F04A/4F20E/JF403E Overrun Clutch (.063") 8 Teeth (4.500" ID) 1992-Up.....	3-5.....	TBA
PRESSURE PLATES				
146.....	99716.....	Pressure Plate, RL4F03A High (3.430" ID) (Selective .142"-.189").....	1.....	TBA
146.....	63134.....	Pressure Plate, RE4F04A/4F20E High, .122, Top, 1992-Up.....	1.....	31537-81X10
146.....	63134A.....	Pressure Plate, RE4F04A/4F20E High, .130, Top, 1992-Up.....	1.....	31537-81X11
146.....	63134B.....	Pressure Plate, RE4F04A/4F20E High, .138, Top, 1992-Up.....	1.....	31537-81X12

RL/RE4F03A, RE4F04A/V, 4F20E, JF403, LJ4A-EL, RE4F04B

ILL#	Part#		QTY	REF#
146	63134C	Pressure Plate, RE4F04A/4F20E High, .146, Top, 1992-Up	1	31537-81X13
146	63134D	Pressure Plate, RE4F04A/4F20E High, .157, Top, 1992-Up	1	31537-81X14
148	99720	Pressure Plate, RL4F03A Forward (4.525" ID) (Selective .142"- .181")	1	TBA
148	63132	Pressure Plate, RE4F04A/4F20E/JF403E Forward (4.930" ID) (Selective .126"- .173")	1	TBA
150	99715	Pressure Plate, RL4F03A Reverse (4.660" ID) (Selective .173"- .189")	1	TBA
154	99717	Pressure Plate, RL4F03A Low/Reverse (5.475" ID) (Selective .142"- .181")	1	TBA
154	63130	Pressure Plate, RE4F04A/4F20E/JF403E Low/Rev (5.910" ID) (Selective .079"- .134")	1	TBA
155	63131	Pressure Plate, RE4F04A Low/Reverse (5.910" ID) (.354") Bottom	1	TBA
156	99717	Pressure Plate, RL4F03A Overrun (3 Lug) (Selective .142"- .173")	1	TBA
156	63133	Pressure Plate, RE4F04A/4F20E/JF403E Overrun (8 Lug) (Selective .118"- .150")	1	TBA

VALVE BODY KITS

165	K99908	Shift Kit, RL4F03A (With TV Cable) (Sentra 1991-99) (NX 1992-93) (200SX 1995-98) (Infinity G20 1991-93)	1	SK@ RL4F03A
165	K63908	Shift Kit, RE4F04A/4F20E (Maxima/Altima/Infiniti I30 1993-00 / Quest/Villager 1993-02)	1	SK@ RE4F04A
165	K63908A	Shift Kit, RE4F04B (Maxima & Altima 2000-04) (Infinity I30 2000-04)	1	SK@ RE4F04B
165	K99908A	Shift Kit, RE4F03A (Without TV Cables) (Sentra GXE 1993-99) (200SX 1995-98) (Infinity G20 1994-99)	1	SK@ RE4F03A
165	K64908B	Shift Kit, LJ4A-EL/JF403E (Mazda Millenia "S" 2.3L Super Charged 1995-03) (Geo Storm 1990-Up) (Isuzu Impulse/Gemini 1990-Up)	1	SK@ LJ4AEL
165	K99908B	Shift Kit, RE4F03B (Sentra 2000-04) (Infinity G20 2000-04)	1	SK@ RE4F03B
171	RL4F03A-HD2	Reprogramming Kit, RL4F03A (With TV Cable) (Hot Rod/Street Show Off) (Sentra XE & SE 1991-99) (Sentra NX 1992-93)	1	RL4F03A-HD2
171	RE4F04A-HD2	Reprogramming Kit, RE4F04A/4F20E (Trick Valve/Hot Rod/Street Show Off) (Maxima/Altima 1992-99) (Quest 1992-02) (Mercury Villager 1992-02) (Infinity I30 95-99)	1	RE4F04A-HD2
171	RE4F03A-HD2	Reprogramming Kit, RE4F03A (Without TV Cable) (Trick Valve/Hot Rod/Street Show Off) (Sentra GXE 1993-99) (200SZ 1995-98) (Infinity G20 1994-99)	1	RE4F03A-HD2
171	LJ4AEL-HD2	Reprogramming Kit, LJ4A-EL/JF403E (Trick Valve/Hot Rod/Street Show Off) (Mazda Millenia "S" 1995-03) (Geo Storm 1990-Up) (Isuzu Impulse & Gemini 1990-Up)	1	LJ4AEL-HD2
171	RE4F03B-HD2	Reprogramming Kit, RE4F03B (Trick Valve/Hot Rod/Street Show Off) (Sentra 2000-04) (Infinity G20 2000-04)	1	RE4F03B-HD2
171	RE4F04B-HD2	Reprogramming Kit, RE4F04B (Trick Valve/Hot Rod/Street Show Off) (Maxima/Altima 2000-04) (Infinity I30 2000-04)	1	RE4F04B-HD2

SEALING RINGS

175	K99901	Ring Kit, RL4F03A/RL4F03V/RE4F03A 1992-Up	1	TBA
175	K63300	Ring Kit, RE4F04A/4F20E 1992-Up	1	TBA
175	K64903	Ring Kit, JF403E 1990-Up	1	TBA
177	99305	Ring, RL4F03A/RL4F03V/RE4F03A Input Shaft (Metal) 1990-Up	2	TBA
177	63306	Ring, RE4F04A/4F20E Input Shaft (Metal) 1992-Up	3	TBA
179	99300	Ring, RL4F03A/RL4F03V/RE4F03A Stator Support (Reverse Clutch) (Metal) 1990-91	2	TBA
179	99300A	Ring, RL4F03A/RL4F03V/RE4F03A Stator Support (Reverse Clutch) (Teflon) 1990-91	2	TBA
179	63305	Ring, RE4F04A/4F20E Stator Support (Reverse Clutch) (Metal) 1992-Up	2	TBA
179	64300	Ring, JF403E Stator Support (Reverse Clutch) (Metal) 1990-Up	3	TBA
180	99302	Ring, RL4F03A/RL4F03V/RE4F03A Output Shaft (1.6L Engine) (Metal) 1990-Up	2	TBA
180	99304	Ring, RL4F03A/RL4F03V/RE4F03A Output Shaft (2.0L Engine) (Metal) 1990-Up	2	TBA
180	63308	Ring, RE4F04A/4F20E Output Shaft (Metal) 1992-Up	2	TBA
189	99303	Ring, RL4F03A/RL4F03V/RE4F03A Rear Support (Fwd & O-Run Clu) Metal, 1990-Up	3	TBA
189	63307	Ring, RE4F04A/4F20E Rear Support (Forward & Overrun Clutch) (Metal) 1992-Up	3	TBA

WASHERS & BEARINGS

200	K99907B	Washer Kit, RL4F03A, (Selectives) Stator To Reverse Drum (6-Plastic)	1	TBA
211	99401A	Washer, RL4F03A Stator (2 13/16" OD) (*Specify Thickness .025" To .061") (Plastic)	1	TBA
211	63401A	Washer, RE4F04A/4F20E/JF403E Stator (3" OD) (*Specify Thick .031" To .073") (Plastic)	1	TBA
226	99441A	Race, RL4F03A Stator To High Drum (1 7/8" OD) (Selective .024"- .087")	1	TBA
226	63441A	Race, RE4F04A/4F20E/JF403E Stator (2" OD) (Selective .031"- .079")	1	TBA
227	99415A	Bearing W/Race, RL4F03A Stator To High Drum (1.845" OD)	1	TBA
227	63415A	Bearing W/Race, RE4F04A/4F20E/JF403E Stator (1.980" OD)	1	TBA
229	99416A	Bearing W/Race, RL4F03A High Drum To Hub (1.370" OD)	1	31407-31X11
229	63416A	Bearing W/Race, RE4F04A/4F20E/JF403E High Drum (1.640" OD)	1	TBA
232	99402A	Washer, RL4F03A Forward Drum To Rear Support	1	TBA
232	63417A	Bearing W/Race, RE4F04A/4F20E/JF403E Forward Drum To Case	1	TBA
233	99418A	Bearing W/Race, RL4F03A Overrun Hub To Rear Support	1	31407-31X12
233	63418A	Bearing W/Race, RL4F03A Overrun Hub To Rear Support	1	31407-31X07
233	64418A	Bearing W/Race, JF403E Overrun Hub To Rear Support	1	TBA
233	63418B	Bearing W/Race, RE4F04A/4F20E Overrun Hub To Rear Support	1	TBA
234	99419A	Race, RL4F03A Overrun Hub Bearing To Rear Support	1	TBA
234	64419A	Race, JF403E Overrun Hub Bearing To Rear Support	1	TBA

RL/RE4F03A, RE4F04A/V, 4F20E, JF403, LJ4A-EL, RE4F04B

ILL#	Part#		QTY	REF#
235.....	99420A.....	Bearing W/Race, RL4F03A High Hub To Sun Shell (2.355" OD).....	1.....	31407-31X01
235.....	63420A.....	Bearing W/Race, RE4F04A/4F20E/JF403E High Hub To Sun Shell (2.745" OD).....	1.....	TBA
236.....	99403A.....	Cup Washer, RL4F03A Sprag (2.810" OD) Bronze.....	1.....	TBA
236.....	63403A.....	Cup Washer, RE4F04A/4F20E/JF403E Sprag (3.030" OD) Bronze.....	1.....	TBA
238.....	99421A.....	Bearing W/Race, RL4F03A Front Planet To Rear Sun Gear (1.840" OD).....	1.....	31407-31X03
238.....	63421A.....	Bearing W/Race, RE4F04A/4F20E/JF403E Front Planet To Rear Sun Gear (2.00" OD).....	1.....	TBA
243.....	63442A.....	Race, RE4F04A/4F20E/JF403E Shell To Front Planet (4 Tab).....	1.....	TBA
244.....	99422A.....	Bearing W/Race, RL4F03A Sun Shell To Planet (2 5/16" OD).....	1.....	31407-31X02
244.....	63422A.....	Bearing W/Race, RL4F03V Sunshell To Planet (2.746" OD).....	1.....	TBA
247.....	99423A.....	Bearing W/Race, RL4F03A Rear Sun Gear To Rear Planet (1.675" OD).....	1.....	31407-31X04
247.....	64423A.....	Bearing W/Race, JF403E (Stays In Planet).....	1.....	TBA
247.....	63423A.....	Bearing W/Race, RE4F04A/4F20E Sun Gear To Planet (1.882" OD).....	1.....	TBA
251.....	99424A.....	Bearing W/Race, RL4F03A Rear Planet To Rear Ring Gear (1.877" OD).....	1.....	31407-31X05
251.....	99424B.....	Bearing W/Race, RL4F03V Rear Planet To Rear Ring Gear (1.955" OD).....	1.....	TBA
254.....	99404A.....	Washer, RL4F03A Rear Ring Gear To Sprag (3 Tab) (2.335" ID).....	1.....	31508-31X07
254.....	63404A.....	Washer, RE4F04A/4F20E/JF403E Rear Ring Gear To Sprag (3 Tab) (2.530" ID).....	1.....	TBA
267.....	99443A.....	Cup Race, RL4F03A Output Shaft To Rear Support.....	1.....	TBA
268.....	99425A.....	Tapered Bearing, RL4F03A Output Shaft To Rear Support.....	1.....	TBA
268.....	63425A.....	Caged Needle Bearing, RL4F03V Output Shaft To Rear Support.....	1.....	TBA
268.....	63425B.....	Caged Needle Bearing, RL4F04A/JF403E/4F20E Output Shaft To Rear Support.....	1.....	TBA
269.....	99444A.....	Spacer, RL4F03A Output Shaft To Drive Gear.....	1.....	TBA
270.....	99426A.....	Bearing W/Race, RL4F03V Support To Drive Gear (2.350" OD).....	1.....	TBA
270.....	64426A.....	Bearing W/Race, JF403E Support To Gear (3.410" OD) (.112").....	1.....	TBA
270.....	63426A.....	Bearing W/Race, RE4F04A/4F20E Support To Gear (3.410" OD) (.135").....	1.....	TBA
272.....	63445A.....	Shim, RE4F04A/4F20E Drive Gear Bearing To Case.....	1.....	TBA
276.....	99445A.....	Shim, RL4F03A Driven Transfer Gear.....	1.....	TBA
276.....	63446A.....	Shim, RE4F04A/4F20E Driven Transfer Gear.....	1.....	TBA
GASKETS & RUBBER COMPONENTS				
300.....	99500.....	Gasket, RL4F03A/RL4F03V Bottom Pan 1990-Up.....	1.....	31397-21X26
300.....	99500D.....	Gasket, RE4F03B, Bottom Pan 2007-Up.....	1.....	TBA
300.....	63500.....	Gasket, RE4F04A/RE4F04V Bottom Pan 1992-Up.....	1.....	TBA
300.....	64500.....	Gasket, JF403E Bottom Pan 1990-Up.....	1.....	TBA
300.....	64500B.....	Gasket, LJ4A-EL Bottom Pan (22 Bolt) (2.3L Millenia) 1995-Up.....	1.....	TBA
304.....	99501.....	Gasket, RL4F03A Side Cover 1990-Up.....	1.....	31398-31X02
310.....	63510.....	Gasket, Front Pump RE4F04A/B (Metal) 1992-Up.....	1.....	31366-80X00
311.....	99510.....	O-Ring, RL4F03A Front Pump 1990-Up.....	1.....	31526-31X02
311.....	123516A.....	O-Ring, RL4F04A/B, LJ4A-EL, JF403, Front Pump, 1990-Up.....	1.....	31526-80X00
345.....	99512.....	O-Ring, RL4F03A Governor Cover 1990-Up.....	1.....	31526-31X10
368.....	99513.....	O-Ring, RL4F03A Speed-O Sleeve 1990-Up.....	1.....	32710-M8000
371.....	83583.....	O-Ring, RL4F03A Filler Tube 1990-Up.....	1.....	31804-M7500
373.....	83585.....	O-Ring, RL4F03A T.V. Cable 1990-Up.....	1.....	31052-01X00
379.....	99511.....	O-Ring, RL4F03A Filter 1990-Up.....	1.....	31729-21X01
TECHNICAL MANUALS				
400.....	TMRL4F03A.....	Technical Manual, RL4F03A/RE4F03A.....	1.....	TBA
400.....	TMRE4F04A.....	Technical Manual, RE4F04A.....	1.....	RE4F04A
400.....	TMJF403E.....	Technical Manual, JF403E (GEO Storm, Prism).....	1.....	83-J403ETM
400.....	TM4F20E.....	Technical Manual, 4F20E (Ford Villager).....	1.....	4F20E
ELECTRICAL COMPONENTS				
410.....	99991A.....	Neutral Switch, RL4F03A (With 4 Prong Connector).....	1.....	TBA
410.....	64991A.....	Neutral Switch, JF403E (W/ Wire Harn That Has 2-Conn's-1-8-Prong & 1-2-Prong).....	1.....	TBA
410.....	63991A.....	Neutral Sw, RE4F04A/4F20E (W/ Wire Harn That Has 2-Conn's-1-7-Prong & 1-2-Prong).....	1.....	TBA
410.....	63991B.....	Neutral Sw, RE4F04A / RE4F04B (No Wire Harn 9-Prong Connector) 1993-Up.....	1.....	31918-3AX01
420.....	64954.....	Solenoid Assembly, JF403E, 1990-Up.....	1.....	94385935
420.....	64954A.....	Solenoid Assembly, LJ4A-EL, 1995-Up.....	1.....	FX01-21-1D1A
420.....	K99950.....	Solenoid Assy, RL4F03A, L/Up & 3-4 Shift (2-Sol, 20" Harness) 1.6L 1991-94, 2.0L 1991-92.....	1.....	31940-31X01
420.....	K99950AA.....	Solenoid Assy, RL4F03A, L/Up & 3-4 Shift (2-Sol, No Harness) 1.6L 1995-98.....	1.....	31940-31X03
420.....	K99950A.....	Solenoid Assy, RE4F03A, (5-Solenoids, 20" Harness) 2.0L 1993-98.....	1.....	31940-33X02
420.....	K99950B.....	Solenoid Assy, RE4F03A, (5-Solenoids, No Harness) 1.8L & 2.0L 1999-Up.....	1.....	31940-3AX03
420.....	63954.....	Solenoid Assy, RE4F04A/V/4F20E, (5 Solenoids, 18" Harness) 1992-Up.....	1.....	31940-80X25
420.....	63954A.....	Solenoid Assy, RE4F04A/V/4F20E/RE4F04B (5 Solenoids, No Harness) 4/99-Up.....	1.....	31940-85X04
436.....	99958.....	Speed Sensor, RE4F03A.....	1.....	TBA
436.....	64999.....	Speed Sensor, JF403E (2 Prong).....	1.....	TBA
436.....	63955.....	Speed Sensor, RE4F04A/4F20E (3 Prong).....	1.....	TBA
PUMPS & PUMP COMPONENTS				

RL/RE4F03A, RE4F04A/V, 4F20E, JF403, LJ4A-EL, RE4F04B

ILL#	Part#		QTY	REF#
500	99912	Pump Complete, RL4F03A (11 Teeth On Inner Gear) Aluminum Stator (6 Bolts To Body)	1	TBA
500	64912	Pump Complete, JF403E (9T On Inner Gear) Cast Iron Stator (8 Bolts To Body) (Stator Shaft Is 2 1/4" Long From Flat Surface To End Of Shaft) (.850" ID Front Bushing)	1	TBA
500	64912A	Pump Complete, JF403E (9T On Inner Gear) Cast Iron Stator (8 Bolts To Body) (Stator Shaft Is 2 3/4" Long From Flat Surface To End Of Shaft) (.925" ID Front Bushing)	1	TBA
500	63912	Pump Complete, RE4F04A/4F20E (11T On Inner Gear) Aluminum Stator (8 Bolts To Body)	1	TBA
510	99916	Pump Body W/Gears, RL4F03A (11 Teeth On Inner Gear) 6 Bolt	1	TBA
510	64916	Pump Body W/Gears, JF403E (9 Teeth On Inner Gear) 8 Bolt (Outer Gear Is 4.125" OD)	1	TBA
510	64916A	Pump Body W/Gears, JF403E (9 Teeth On Inner Gear) 8 Bolt (Outer Gear Is 3.570" OD)	1	TBA
510	63916	Pump Body W/Gears, RE4F04A/4F20E (11 Teeth On Inner Gear) 8 Bolt	1	TBA
520	99910	Stator, RL4F03A Pump Cover (Aluminum) 6 Bolts To Body	1	TBA
520	64915	Stator, JF403E Pump Cover (Cast Iron) (Shaft Is 2 1/4" Long From Surface To End Of Shaft) (.850" ID Front Bushing)	1	TBA
520	64915A	Stator, JF403E Pump Cover (Cast Iron) (Shaft Is 2 3/4" Long From Surface To End Of Shaft) (.925" ID Front Bushing)	1	TBA
520	63915	Stator, RE4F04A/4F20E Pump Cover (Aluminum) 8 Bolts To Body	1	TBA

DRUMS & CLUTCH HUBS

554	99890	Drum, RL4F03A Forward (30 Teeth Forward Steels) (5 Forward & 3 Overrun Frictions)	1	TBA
554	64815	Drum, JF403E Forward (32 Teeth Forward Steels) (4 Forward & 3 Overrun Frictions)	1	TBA
554	63890	Drum, RE4F04A/4F20E Forward (32 Teeth Steels) (4-5 Forward & 3 Overrun Frictions)	1	TBA
555	99938	Drum, RL4F03A High With Shaft (18 Teeth Steels) Converter Splines Are 16mm Long	1	TBA
555	99938A	Drum, RL3F03A high With Shaft (18 Teeth Steels) Converter Splines Are 20mm Long	1	TBA
555	64844	Drum, JF403E High With Shaft (28T Steels) Shaft Is 5 3/8" From Drum To Converter End	1	TBA
555	63836	Drum, RE4F04A/4F20E High With Shaft (28 Teeth Steels) (Shaft Is 5 5/8" From Drum To Converter End) (Drum Is 1 7/8" Thick Front To Back)	1	TBA
555	63836A	Drum, RE4F04A/4F20E High With Shaft (28 Teeth Steels) (Shaft Is 5 5/8" From Drum To Converter End)(Drum Is 1 11/16" Thick Front To Back)	1	TBA
555	63836B	Drum, RE4F04A/4F20E High With Shaft (28 Teeth Steels) (Shaft Is 5 7/8" From Drum To Converter End)(Drum Is 1 11/16" Thick Front To Back)	1	TBA
556	99928	Drum, RL4F03A Reverse (2 Clutch) 8 Drive Lugs (1 3/8" Band Surface)	1	TBA
556	64716	Drum, JF403E Reverse (2 Clutch) 30 Drive Lugs (1 9/16" Band Surface)	1	TBA
556	63831	Drum, RE4F04A/4F20E Reverse (2 Clutch) 16 Drive Lugs (1 5/8" Band Surface)	1	TBA
574	99741	Clutch Hub, RL4F03A Forward Clutch (With .685" Thick Outer Race) 2.810" ID	1	TBA
574	99741A	Clutch Hub, RL4F03A Forward Clutch (With .755" Thick Outer Race) 2.810" OD	1	TBA
574	64741	Clutch Hub, JF403E Forward Clutch (With .725" Thick Outer Race) 3.032" ID	1	TBA
574	63741	Clutch Hub, RE4F04A/4F20E Fwd Clu (W/ .847" Thk Outer Race)(3.032" ID) 1.646" Tall	1	TBA
574	63741A	Clutch Hub, RE4F04A/4F20E Fwd Clu (W/ .847" Thick Outer Race)(3.032" ID) 1.871" Tall	1	TBA
575	99742	Clutch Hub, RL4F03A High Clutch (20 Teeth) 3 3/8" OD (.170" Wide Teeth On Frictions)	1	TBA
575	99742A	Clutch Hub, RL4F03A High Clutch (20 Teeth) 3 3/8" OD (.265" Wide Teeth On Frictions)	1	TBA
575	64742	Clutch Hub, JF403E High Clutch (20 Teeth) 3 5/8" OD	1	TBA
575	63875A	Clutch Hub, RE4F04A High Clutch (24 Teeth) 3 1/2" OD	1	TBA
575	63875	Clutch Hub, 4F20E High Clutch (21 Teeth) 3 1/2" OD	1	TBA
579	99743	Clutch Hub, RL4F03A Overrun, 18 Lug, W/ 5 Humps For Bearing	1	TBA
579	99743A	Clutch Hub, RL4F03A Overrun 18 Lug, No Hump, Uses 1 Piece Bearing #233	1	TBA
579	64755	Clutch Hub, RE4F04A/4F20E/JF403E Overrun (20 Lug)	1	TBA

PLANETS, RING GEARS, SUN GEARS & SUPPORTS

582	99897	Planet, RL4F03A Front (29 Teeth Sun Gear)	1	TBA
582	63731	Planet, RE4F04A/4F20E/JF403E Front (33 Teeth Sun Gear)	1	TBA
583	K99897	Planet Kit, RL4F03A (With 36 Teeth Sun Gear) (Bushing #052 Left Out For Added Lube Per ATRA)(From #582 To #594 Also #622)	1	TBA
583	K63731	Planet Kit, RE4F04A/4F20E (4-Gear Rear Planet & 3-Gear Front Planet)	1	TBA
583	K63731A	Planet Kit, RE4F04B (5-Gear Rear Planet & 4-Gear Front Planet)	1	TBA
583	K63731B	Planet Kit, RE4F04B (4-Gear Rear Planet & 4-Gear Front Planet)	1	TBA
583	K64731	Planet Kit, JF403E (With 37 Teeth Sun Gear) (Bushing #052 Left Out For Added Lube Per ATRA) (From #582 To #594 Also #622)	1	TBA
584	99874	Planet, RL4F03A Rear With Ring Gear (36 Teeth Sun Gear)	1	TBA
584	64747	Planet, JF403E Rear With Ring Gear (37 Teeth Sun Gear)	1	TBA
584	63747	Planet, Rear, RE4F04A/4F20E (4-Pinion) 1992-06	1	TBA
584	63747A	Planet, Rear, RE4F04A/B (5-Pinion) 2003-07	1	TBA
594	99880	Ring Gear, RL4F03A Rear (2.155" OD) .840" Tall Sprag Race	1	TBA
594	99880A	Ring Gear, RL4F03A Rear (2.155" OD) .905" Tall Sprag Race	1	TBA
594	64746	Ring Gear, JF403E Rear (2.375" OD) .870" Tall Sprag Race	1	TBA
594	63846	Ring Gear, RE4F04A/4F20E Rear (For 4-Pinion Planet) 1992-06	1	TBA
594	63846	Ring Gear, RE4F04B Rear (For 5-Pinion Planet) 2003-07	1	TBA
614	99895	Sun Gear, RL4F03A Rear (36 Teeth)	1	TBA
614	64748	Sun Gear, JF403E Rear (37 Teeth)	1	TBA

RL/RE4F03A, RE4F04A/V, 4F20E, JF403, LJ4A-EL, RE4F04B

ILL#	Part#		QTY	REF#
614.....	63848	Sun Gear, RE4F04A/4F20E Rear 42 Teeth	1	TBA
622.....	99856	Shell, RL4F03A Sun Gear (29 Teeth) 8 Drive Lugs	1	TBA
622.....	64856	Shell, JF403E Sun Gear (33 Teeth) 30 Drive Lugs	1	TBA
622.....	63856	Shell, RE4F04A/4F20E Sun Gear (33 Teeth) 16 Drive Lugs	1	TBA
630.....	64732	Housing, JF403E Low/Reverse Piston	1	TBA
630.....	63854A	Housing, RE4F04A/4F20E Low/Reverse Piston, 1993-97	1	TBA
630.....	63854B	Housing, RE4F04A/4F20E Low/Reverse Piston, 1998-Up	1	TBA
634.....	99756	Support, RL4F03A Rear (Tapered Bearing Type #268) 5 Bolt	1	TBA
634.....	99756A	Support, RL4F03A Rear (Caged Needle Bearing Type #268) 5 Bolt	1	TBA
634.....	64756	Support, JF403E Rear (Caged Needle Brg Type #268) 6 Bolt (23 Needles In Bearing)	1	TBA
634.....	63756	Support, RE4F04A/4F20E Rear (Caged Brg Type # 268) 6 Bolt (Brg Has 17 Needles)	1	TBA
SPRAGS & ONE WAY CLUTCHES				
642.....	99945	Sprag Assembly, RL4F03A Low With Outer Race (15 Rollers) .605" Overall Thickness	1	31473-31X00
642.....	99945A	Sprag Assembly, RL4F03A Low With Outer Race (19 Rollers)	1	31473-31X03
642.....	63727	Sprag Assembly, RE4F04A/4F20E/JF403E Low With Outer Race (18 Roller)	1	TBA
658.....	99946	Sprag, RL4F03A Forward (24 Lug) .387" Wide Lugs	1	31484-31X00
658.....	99946A	Sprag, RL4F03A Forward (24 Lug) .465" Wide Lugs	1	31484-31X01
658.....	64724	Sprag, JF403E Forward (27 Lug) .410" Wide Lugs	1	TBA
658.....	63725	Sprag, RE4F04A/4F20E Forward (27 Lug) .530" Wide Lugs	1	31484-80X00
SHAFTS & GOVERNORS				
678.....	99858	Output Shaft With Bearing, RL4F03A (less Drive Gears)	1	TBA
680.....	99615	Governor, RL4F03A Assembly (16 Teeth)	1	TBA
684.....	99411	Governor Gear, RL4F03A (16 Teeth)	1	TBA
686.....	99324A	Cover, RL4F03A Governor (Tin)	1	TBA
688.....	99621	Spacer, RL4F03A Under Governor Cover Snap Ring	1	TBA
DIFFERENTIALS & COMPONENTS				
710.....	99810	Gear, RL4F03A Drive Transfer (52 Teeth) With Bearing Less Output Shaft	1	TBA
710.....	99810A	Gear, RL4F03A Drive Transfer (52 Teeth) With Bearing & Output Shaft	1	TBA
710.....	64785	Gear, JF403E Drive Transfer (59 Teeth) With Bearing & Output Shaft	1	TBA
710.....	63810	Gear, RE4F04A/4F20E Drive (46 Teeth) With Bearing & Output Shaft	1	TBA
712.....	99809	Gear, RL4F03A Driven Transfer (55 Teeth) With Bearing	1	TBA
712.....	64809	Gear, JF403E Driven Transfer (53 Teeth) With Bearing	1	TBA
712.....	63809	Gear, RE4F04A/4F20E Driven Transfer (45 Teeth) With Bearing	1	TBA
713.....	99641	Retainer, RL4F03A (Pinion Bearing) 4 Bolt Cast Iron	1	TBA
713.....	64641	Retainer, JF403E (Pinion Bearing) 8 Bolt Cast Iron	1	TBA
713.....	63641	Retainer, RE4F04A/4F20E (Pinion Bearing) 8 Bolt Cast Iron	1	TBA
715.....	99899B	Differential, RL4F03A (76 Teeth) 3 Groove (Tapered Bearings) 41 Teeth Speed-O	1	TBA
715.....	99899	Differential, RL4F03A (76 Teeth) 3 Groove (With Ball Bearings) 41 Teeth Speed-O	1	TBA
715.....	99899C	Differential, RL4F03A (76 Teeth) 1 Groove (With Ball Bearings) 41 Teeth Speed-O	1	TBA
715.....	99899D	Differential, RL4F03A (76 Teeth) No Groove (Tapered Bearings) 41 Teeth Speed-O	1	TBA
715.....	99899A	Differential, RL4F03A (77 Teeth) 1 Groove (W/ Tapered Bearings) 41 Teeth Speed-O	1	TBA
715.....	99899E	Differential, RE4F03V/RE4F04V (77 Teeth) 1 Groove (With viscous) 14 Bolt Ring Gear (21 Rollers On Bearing On Housing Side / 40 Rollers On Ring Gear Side)	1	TBA
715.....	99899F	Differential, RL4F03A (74 Teeth) No Groove (With Ball Bearings) 41 Teeth Speed-O	1	TBA
715.....	64899	Differential, JF403E (76 Teeth) 2 Groove (With Tapered Bearings) 35 Teeth Speed-O	1	TBA
715.....	99899V	Differential, RE4F03V/ RE4F04V (76 Teeth) 3 Groove (With Viscous) 14 Bolt Ring Gear (21 Rollers On Bearing On Housing Side) 40 Rollers On Ring Gear Side	1	TBA
715.....	63899	Differential, RE4F03V/RE4F04V (74 Teeth) 1 Groove (With Viscous) 16 Bolt Ring Gear	1	TBA
715.....	63899A	Differential, RE4F04A (74 Teeth) No Groove (With Tapered Bearings) 41 Teeth Speed-O	1	TBA
715.....	63899B	Differential, 4F20E (75 Teeth) 1 Groove (With Tapered Bearings) 41 Teeth Speed-O	1	TBA
715.....	99899G	Differential, RL4F03A (66 Teeth) 2 Groove (With Tapered Bearings) 41 Teeth Speed-O	1	TBA
715.....	99899H	Differential, RL4F03A (66 Teeth) 3 Grooves (With Ball Bearings) 41 Teeth Speed-O	1	TBA
715.....	99899J	Differential, RL4F03A (67 Teeth) 2 Grooves (With Tapered Bearings) 41 Teeth Speed-O	1	TBA
715.....	99899K	Differential, 4F20E (72 Teeth) No Groove (With Tapered Bearings) 25 Teeth Speed-O	1	TBA
730.....	99953	Pinion, RL4F03A (21 Teeth) 3 Groove (With 17 Teeth Governor Drive Gear)	1	TBA
730.....	99953A	Pinion, RL4F03A (20 Teeth) 3 Groove (With 17 Teeth Governor Drive Gear)	1	TBA
730.....	64953	Pinion, JF403E (17 Teeth) No Groove	1	TBA
730.....	63953	Pinion, RE4F04A (20 Teeth) No Groove	1	TBA
730.....	63953A	Pinion, RE4F04A (20 Teeth) 3 Groove (12 Teeth Electric Pick-Up)	1	TBA
730.....	63953B	Pinion, 4F20E (19 Teeth) 1 Groove	1	TBA
VALVE BODIES (DACCO VB#)				
740.....	NS-6711	Valve Body, RL4F03A, Sentra, 1990-Up	1	TBA
740.....	NS-6704	Valve Body, RL4F03A, Sentra, 1993-94 & 1998	1	TBA
740.....	NS-6703	Valve Body, RE4F03A, 200SX, 1995-98	1	TBA

RL/RE4F03A, RE4F04A/V, 4F20E, JF403, LJ4A-EL, RE4F04B

ILL#	Part#		QTY	REF#
740	NS-6705	Valve Body, RE4F04A/4F20E, 1st Design Conn(Harness Made Into Conn) 1992-00	1	TBA
740	NS-6706	Valve Body, RE4F04A/4F20E, 2nd Design Conn(Harness Unplugs From Conn) 2000-Up	1	TBA
VALVE BODIES				
740	99940	Valve Body, RL4F03A (2 Solenoid) With 11" Wire Harness	1	38440-M3000
740	99940A	Valve Body, RL4F03A (2 Solenoid) With 31" Wire Harness	1	TBA
740	64940	Valve Body, JF403E (5 Solenoid On 1 Corner) With 19" Wire Harness	1	TBA
740	64940A	Valve Body, JF403E (5 Solenoids On 1 Corner) With 34" Wire Harness	1	TBA
740	63941	Valve Body, RE4F04A/4F20E (5 Sol, 1 On Opposite End) 7-Wire Harn Made Into Conn	1	TBA
740	63941A	V Body, RE4F04A/4F20E (5 Sol, 1 On Opposite End) 7-Wire Harn Unplugs From Conn	1	TBA
VALVE BODY COMPONENTS				
741	63940-02K	Valve Kit, RE4F04A/4F20E 1-2 Accumulator Shift (Valve, O-Ringed End Plug & 2 Springs) (Must Use 63940-BST)(Does Not Fit 2000-Up Maxima Or Any 2002-Up)	1	63940-02K
741	63940-BST	Bore Sizing Tool, For 63940-02K (Sonnax)	1	63940-BST
741	63940-03K	Valve Kit, RE4F04A/4F20E Accumulator Shift (Valve, O-Ring & Spring) (Sonnax)	1	63940-03K
NI	63940-01K	Valve Kit, RE4F04A/4F20E, Oversized Pressure Regulator (Valve, Large Washer, 2-Small Washers, 12-Torlon Checkballs) Must Use 63940-TL Bore Sizing Tool	1	63940-01K
741	63940-TL	Bore Sizing Tool, For 63940-01K (Sonnax)	1	63940-TL
HOUSINGS, CASES & PANS				
750	99701	Bell Housing, RL4F03A (Cast # MC2)	1	TBA
750	99701A	Bell Housing, RL4F03A (Cast # MCV) Top Bolts 4 3/8"	1	TBA
750	99701B	Bell Housing, RL4F03A (Cast # CB2) Top Bolts 6"	1	TBA
750	64701	Bell Housing, JF403E (Top Bolts Are 5")	1	TBA
750	63703	Bell Housing, RE4F04A (Cast # ZY-TA) Top Bolts 4 1/2"	1	TBA
750	63703A	Bell Housing, RE4F04A (Cast # ZY-ZV) Top Bolts 3"	1	TBA
750	63703B	Bell Housing, 4F20E (Cast # ZY-VG #1) Top Bolts Are 4 3/8" (Has No Crank Sensor)	1	TBA
750	63703C	Bell Hsg, 4F20E (Cast # ZY-VG #2 or #3) Top Bolts Are 4 3/8" (W/ Crank Sens At 2:00)	1	TBA
759	99704	Rear Cover, RL4F03A (Tin)	1	TBA
759	99704A	Rear Cover, RL4F03A (Aluminum) Cast # AY2 #2-A	1	TBA
759	64704	Rear Cover, JF403E (Aluminum) Cast # AK #1	1	TBA
759	64704A	Rear Cover, JF403E (Aluminum) Cast # 214056	1	TBA
759	63704	Rear Cover, RE4F04A/4F20E (Aluminum) Cast # ZY #1-A (Also Cast # ZY #7)	1	TBA
759	63704A	Rear Cover, RE4F04A/4F20E (Aluminum) Cast # ZY #2-A	1	TBA
760	99702	Case, RL4F03A (Cast # AY-1 #2) Takes A Tin Rear Cover	1	TBA
760	99702A	Case, RL4F03A (Cast # AY-1 #4) Takes A Tin Rear Cover	1	TBA
760	99702B	Case, RL4F03A (Cast # AY-1 #9) Takes A Tin Rear Cover	1	TBA
760	99702C	Case, RL4F03A (Cast # AY-2 #5) Takes An Aluminum Rear Cover	1	TBA
760	64926	Case, JF403E (Takes Aluminum Rear Cover) Shift Lever On Top	1	TBA
760	63701	Case, RE4F04A (Uses Alum Rear Cover) 2 Bolt Holes For Low/Rev Clu Apply Tube	1	TBA
760	63701C	Case, 4F20E (Uses Alum Rear Cov) 3 Holes(Uses 2) For Low/Rev Cl Apply Tube	1	TBA
765	99802	Pan, Bottom, RL4F03A/RE4F03A	1	TBA
765	64728A	Pan, JF403E Bottom (21 Bolt Holes) 1990-95	1	TBA
765	64728	Pan, JF403E Bottom (22 Bolt Holes) 1995-Up	1	TBA
765	63801	Pan, Bottom, RE4F04A/4F20E, Early Shallow, 1.980" Deep At One End, 1994-E97	1	TBA
765	63802	Pan, Bottom, RE4F04A/4F20E, Pan Is 1.550" Deep At Center, L1997-02	1	TBA
765	63802A	Pan, Bottom, RE4F04B, 2.385" Deep At Center, 2000-Up	1	TBA
796	99081	Nut, RL4F03A Holds Driven Gear To Pinion	1	TBA
796	64081	Nut, JF403E Holds Driven Gear To Pinion	1	TBA
796	63081	Nut, RE4F04A/4F20E holds Driven Gar To Pinion	1	TBA
847	99228	Gear, RL4F03A Speed-O Drive (41 Teeth) 5/8" Thick	1	32701-31X00
847	99228A	Gear, RL4F03A Speed-O Drive (41 Teeth) 1/2" Thick	1	32701-80X00
851	99131	Steel, RL4F03A Dished Overrun Clutch (3 Lug)	1	TBA
851	99131A	Steel, RE4F04A/4F20E/JF403E Dished Overrun (No Lugs)	1	TBA
853	99141	Cushion Spring, RL4F03A Forward Clutch (5" OD)	1	TBA
853	63141	Cushion Spring, RE4F04A/4F20E/JF403E Forward (5 1/2" OD)	1	TBA
857	99142	Cushion Spring, RL4F03A Low/Reverse Clutch (4 Lug) (5.500" ID)	1	TBA
857	99142A	Cushion Spring, RL4F03A Low/Reverse Clutch (5 Lug) (5.965" ID)	1	TBA
857	63142	Cushion Spring, RE4F04A/4F20E/JF403E Low/Reverse Clutch (No Lug) (5.965" ID)	1	TBA
SERVOS, ACCUMULATORS, PISTONS & MISCELLANEOUS				
900	K99560	Servo Assembly, RL4F03A (2.505" OD Piston)	1	TBA
900	K99560A	Servo Assembly, RL4F03A (2.425" OD Piston)	1	TBA
900	K64560	Servo Assembly, JF403E (2.505" OD Piston) 3.390" OD Cover	1	TBA
900	K63560	Servo Assembly, RE4F04A (2.510" OD Piston) With Bolt On Cover	1	TBA
900	K63560A	Servo Assembly, RE4F04A (2.665" OD Piston) With Bolt On Cover	1	TBA
900	K63560B	Servo Assembly, 4F20E (2.585" OD Piston) With Bolt On Cover	1	TBA

RL/RE4F03A, RE4F04A/V, 4F20E, JF403, LJ4A-EL, RE4F04B

ILL#	Part#		QTY	REF#
901.....	99622	Spring, RL4F03A Servo.....	1.....	TBA
901.....	64622	Spring, JF403E Servo.....	1.....	TBA
901.....	63622	Spring, RE4F04A Servo.....	1.....	TBA
901.....	63622A	Spring, 4F20E Servo.....	1.....	TBA
902.....	99623	Sleeve, RL4F03A Servo.....	1.....	TBA
902.....	64623	Sleeve, JF403E Servo.....	1.....	TBA
902.....	63623	Sleeve, RE4F04A Servo.....	1.....	TBA
902.....	63623A	Sleeve, 4F20E Servo.....	1.....	TBA
903.....	99560	Piston, RL4F03A Servo (2.505" OD).....	1.....	TBA
903.....	99560A	Piston, RL4F03A Servo (2.425" OD).....	1.....	TBA
903.....	64560	Piston, JF403E Servo (2.505" OD).....	1.....	TBA
903.....	63560	Piston, RE4F04A Servo (2.510" OD).....	1.....	TBA
903.....	63560A	Piston, RE4F04A Servo (2.665" OD).....	1.....	TBA
903.....	63560B	Piston, 4F20E Servo (2.585" OD).....	1.....	TBA
904.....	99624	Cover, RL4F03A Servo (2.505" OD Piston).....	1.....	TBA
904.....	99624A	Cover, RL4F03A Servo (2.425" OD Piston).....	1.....	TBA
904.....	64624	Cover, JF403E Servo.....	1.....	TBA
904.....	63624	Cover, RE4F04A Servo.....	1.....	TBA
904.....	63624A	Cover, 4F20E Servo.....	1.....	TBA
930.....	K99998	3rd Accumulator Assembly, RL4F03A (Plastic Piston).....	1.....	TBA
930.....	K64998	3rd Accumulator Assembly, JF403E (Plastic Piston).....	1.....	TBA
930.....	K63998	3rd Accumulator Assembly, RE4F04A/4F20E (Plastic Piston).....	1.....	TBA
950.....	K99998A	Neutral Drive Accumulator Assembly, RL4F03A (Plastic Piston).....	1.....	TBA
950.....	K64998A	Neutral Drive Accumulator Assembly, JF403E (Aluminum Piston).....	1.....	TBA
950.....	K63998A	Neutral Drive Accumulator Assembly, RE4F04A/4F20E (Plastic Piston).....	1.....	TBA
960.....	99761	Piston, RL4F03A Overrun Clutch.....	1.....	TBA
960.....	63761	Piston, RL4F04A/JF403E/4F20E Overrun Clutch.....	1.....	TBA
960.....	K63900J-99	Piston Kit, RE4F04B (Maxima 1/2003-05) (2-Bonded Pistons).....	1.....	TBA
964.....	99762	Piston, RL4F03A Forward Clutch.....	1.....	TBA
964.....	63762	Piston, RL4F04A/JF403E/4F20E Forward Clutch.....	1.....	TBA
965.....	99763	Piston, RL4F03A High Clutch.....	1.....	TBA
965.....	63763	Piston, RL4F04A/JF403E/4F20E High Clutch.....	1.....	TBA
965.....	63763J	Piston, RL4F04B, High Clutch (Bonded) 2000-Up.....	1.....	31544-89X01
NI.....	63863J	Piston, RL4F04B, High Clutch Balance/Cancel Force (Bonded) 2000-Up.....	1.....	31577-89X02
966.....	99764	Piston, RL4F03A Reverse Clutch.....	1.....	TBA
966.....	64723	Piston, RL4F04A/JF403E/4F20E Reverse Clutch.....	1.....	TBA
967.....	99765	Piston, RL4F03A Low/Reverse Clutch.....	1.....	TBA
967.....	63765	Piston, RL4F04A/JF403E/4F20E Low/Reverse Clutch.....	1.....	TBA
974.....	99872	Retainer, RL4F03A Forward Clutch Return Spring.....	1.....	TBA
974.....	63872	Retainer, RL4F04A/JF403E/4F20E Forward Clutch Return Spring.....	1.....	TBA
975.....	99873	Spring, RL4F03A High Clutch Return.....	10.....	TBA
975.....	63873	Spring, RL4F04A/JF403E/4F20E High Clutch Return.....	10.....	TBA
976.....	66875	Springs W/Retainer, RL4F03A Reverse Clutch Return.....	1.....	TBA
976.....	64782	Spring, RL4F04A/JF403E/4F20E Reverse Clutch Return.....	1.....	TBA
977.....	63850A	Springs W/ Retainer, RL4F04A/RE4F04A Low/Rev Clutch Return Spring, 1994-97.....	1.....	TBA
977.....	63850B	Springs W/ Retainer, RL4F04A/RE4F04A Low/Rev Clutch Return Spring, 1998-Up.....	1.....	TBA
985.....	99873	Retainer, RL4F03A High Clutch Return Spring.....	1.....	TBA
985.....	63873	Retainer, RL4F04A/JF403E/4F20E High Clutch Return Spring.....	1.....	TBA
986.....	64817	Retainer, RL4F04A/JF403E/4F20E Reverse Clutch Return Spring.....	1.....	TBA
995.....	K99625	Park Pawl Assembly, RL4F03A.....	1.....	TBA
995.....	K64625	Park Pawl Assembly, JF403E.....	1.....	TBA
995.....	K63625	Park Pawl Assembly, RE4F04A/4F20E.....	1.....	TBA
999.....	99626	Oil Tube Assembly, RL4F03A.....	1.....	TBA
999.....	64626	Oil Tube Assembly, JF403E.....	1.....	TBA
999.....	63626	Oil Tube Assembly, RE4F04A/4F20E.....	1.....	TBA