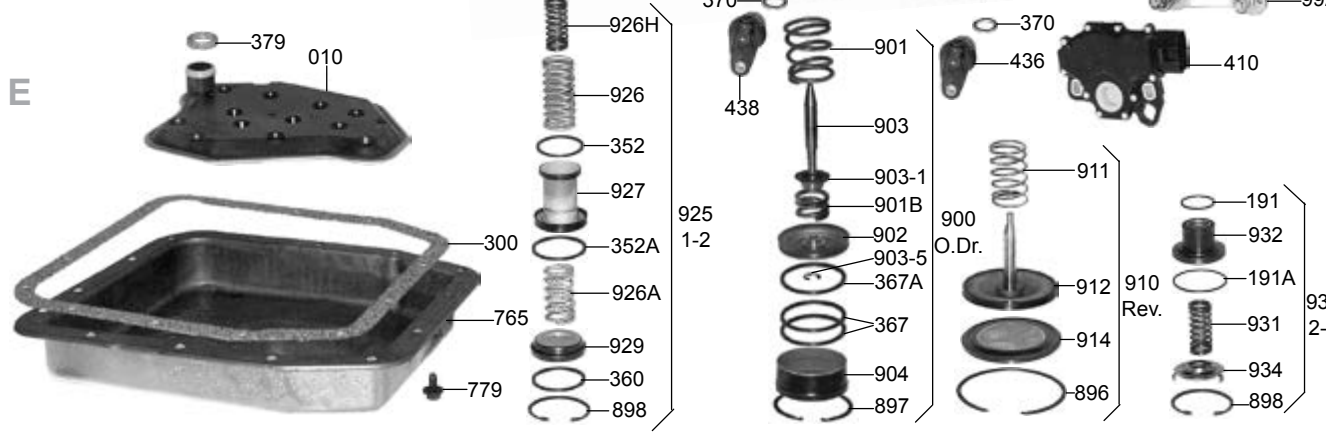
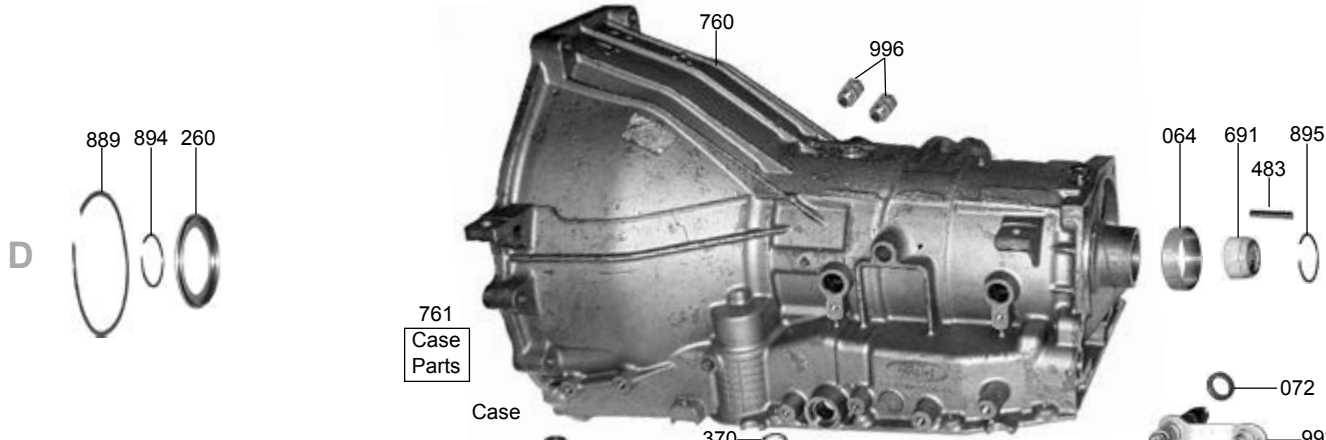
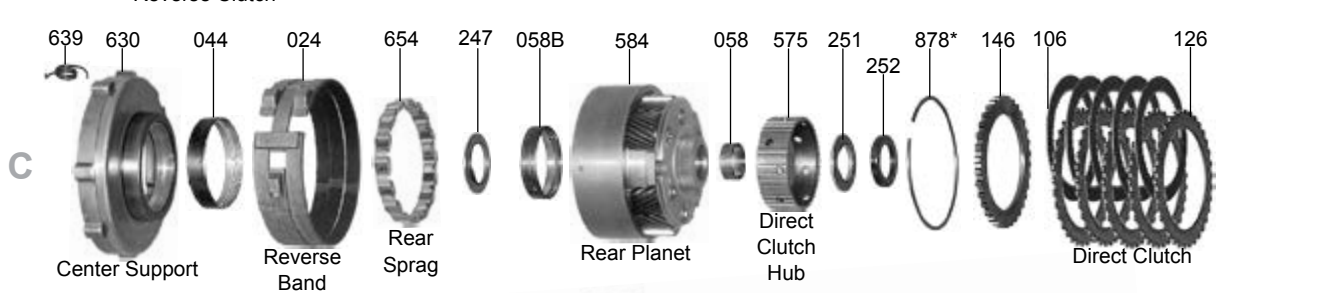
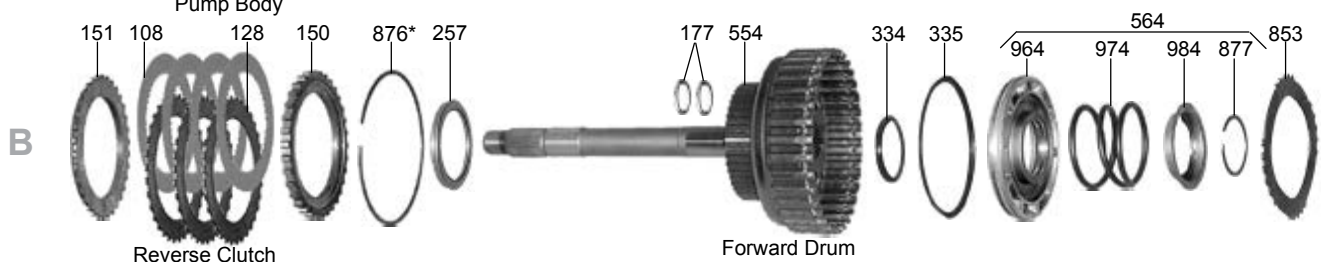
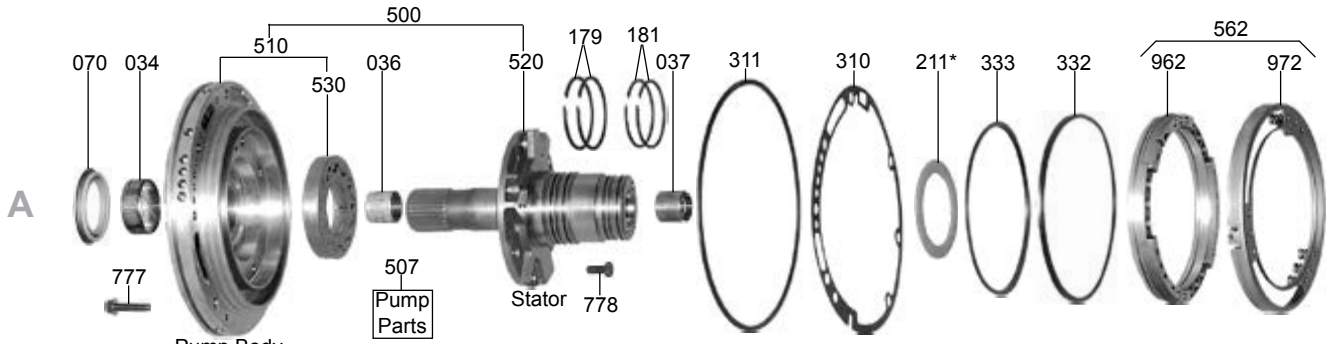
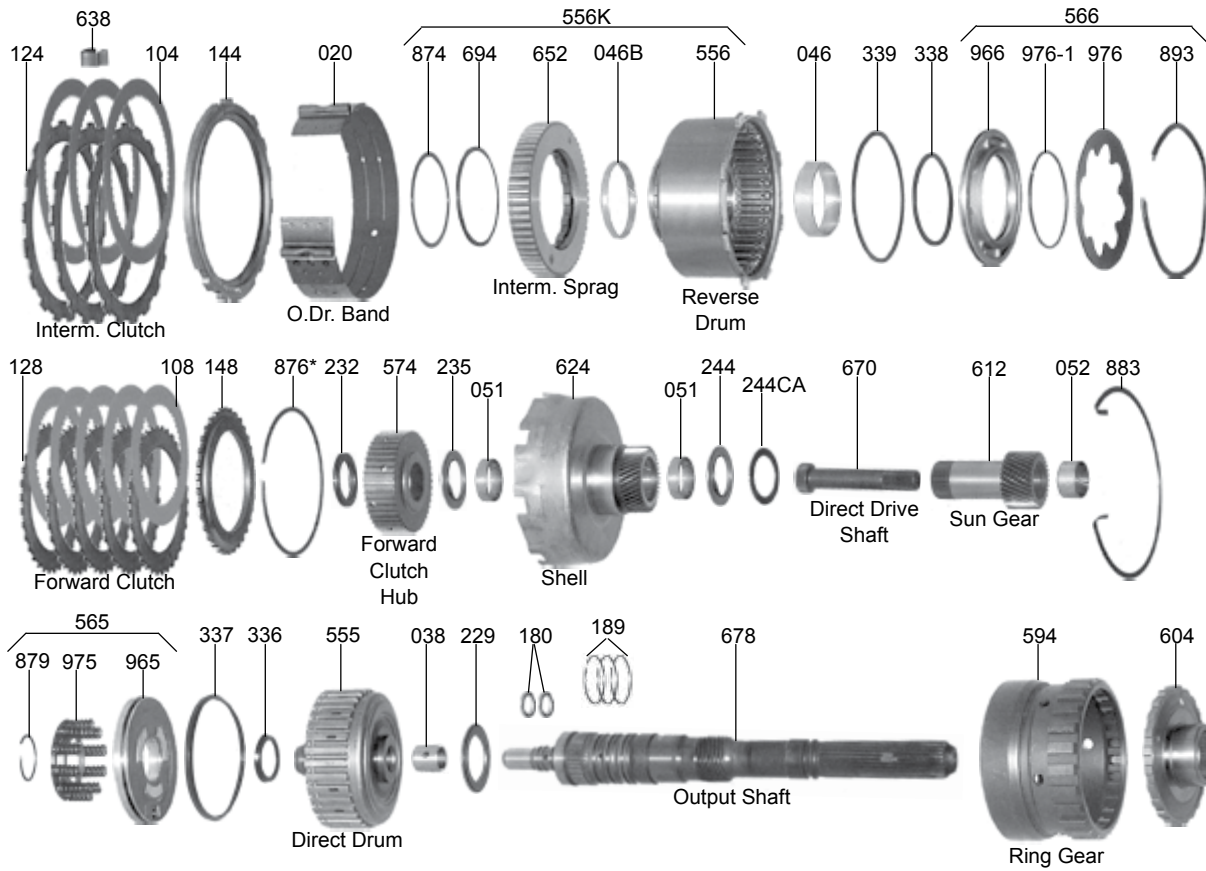


## AODE, 4R70, 4R75

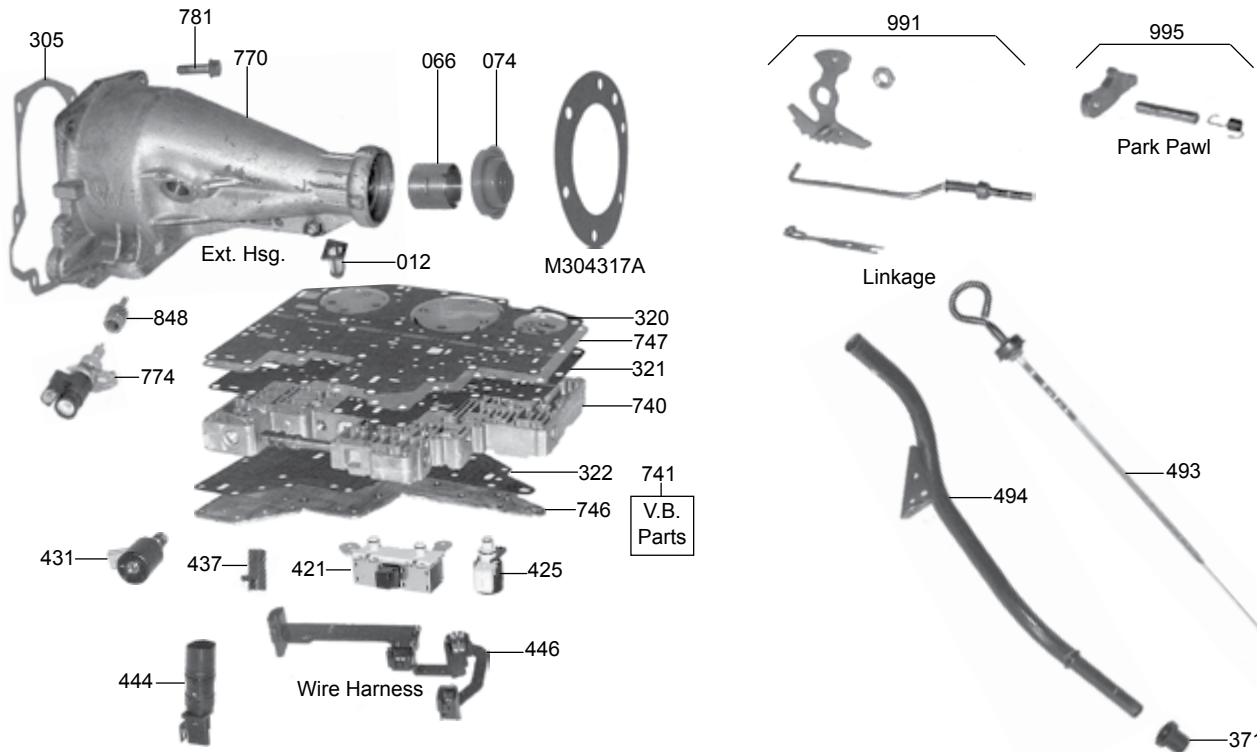




A

B

C



D

E

## AOD, AODE, 4R70, 4R75

ILL#	Part#		QTY	REF#
<b>OVERHAUL KITS</b>				
NI.....	K76900.....	Overhaul Kit, AOD 1980-93.....	1.....	N/A
NI.....	K76900E.....	Overhaul Kit, AODE/4R70W 1992-95.....	1.....	N/A
NI.....	K76900G.....	Overhaul Kit, 4R70W 1996-02.....	1.....	N/A
NI.....	K76900H.....	Overhaul Kit, 4R75W/4R70E/4R75E 2003-Up.....	1.....	N/A
<b>MASTER L/STEEL KITS</b>				
NI.....	DK7600S.....	Master L/Steels Kit, AOD (FIOD) 1980-E83.....	1.....	N/A
NI.....	DK7600AS.....	Master L/Steels Kit, AOD (FIOD) L1983-93.....	1.....	N/A
NI.....	DK7600ES.....	Master L/Steels Kit, AODE 1992-95.....	1.....	N/A
NI.....	DK7600FS.....	Master L/Steels Kit, 4R70W 1993-95.....	1.....	N/A
NI.....	DK7600GS.....	Master L/Steels Kit, 4R70W 1996-02.....	1.....	N/A
NI.....	DK7600KS.....	Master L/Steels Kit, 4R75W/4R70E/4R75E 2003-Up.....	1.....	N/A
<b>MASTER W/STEELS KITS</b>				
NI.....	DK7600.....	Master W/Steels Kit, AOD (FIOD) 1980-E83.....	1.....	N/A
NI.....	DK7600A.....	Master W/Steels Kit, AOD L1983-93 (W/Cast Iron Reverse, Direct & Forward Drums).....	1.....	N/A
NI.....	DK7600B.....	Master W/Steels Kit, AOD 1990-93 (W/Stamped Steel Reverse, Direct & Forward Drums).....	1.....	N/A
NI.....	DK7600E.....	Master W/Steels Kit, AODE 1992-95.....	1.....	N/A
NI.....	DK7600F.....	Master W/Steels Kit, 4R70W 1993-95.....	1.....	N/A
NI.....	DK7600G.....	Master W/Steels Kit, 4R70W 1996-02.....	1.....	N/A
NI.....	DK7600K.....	Master W/Steels Kit, 4R75W/4R70E/4R75E 2003-Up.....	1.....	N/A
<b>FILTERS</b>				
010.....	76422.....	Filter, AOD 2WD 1980-93.....	1.....	E0AZ-7A098-A
010.....	76424.....	Filter, AOD 4x4 1984-93.....	1.....	E4TP-7F003-A
010.....	76426.....	Filter, AODE/ 4R70W 2WD 1992-95.....	1.....	F2VY-7A098-AA
010.....	76420.....	Filter, AODE/4R70/4R75 4WD 1994-Up.....	1.....	F6AZ-7A098-AA
010.....	76420.....	Filter, AODE/4R70/4R75 2WD 1996-Up.....	1.....	F6AZ-7A098-AA
<b>FILTER KITS</b>				
011.....	FK76422.....	Filter Kit, AOD 2WD 1980-93.....	1.....	TBA
011.....	FK76424.....	Filter Kit, AOD 4WD 1984-93.....	1.....	TBA
011.....	FK76426.....	Filter Kit, AODE 2WD 1992-95.....	1.....	TBA
011.....	FK76420.....	Filter Kit, AODE/4R70 4WD 1994-95 (4R70/4R75 2WD & 4x4 1996-Up).....	1.....	TBA
<b>MISCELLANEOUS FILTERS</b>				
012.....	76714G.....	Screen, AOD/E/4R70/75 Pump (On Valve Body) 2004-Up.....	1.....	TBA
014.....	76423A.....	Screen, AOD Governor.....	1.....	E7AZ-E242-A
016.....	76712.....	Screen, AOD/E/4R70/75 Solenoid Feed (In Valve Body) 1992-Up.....	1.....	F2VY-7H187-A
<b>BANDS</b>				
020.....	76320.....	Band, AOD Overdrive Drum (1.5" Wide) 1980-93.....	1.....	E0AZ-7F196-A
020.....	76320HD.....	Band, AOD Overdrive Drum (1.5" Wide) 1980-93 (Kevlar).....	1.....	TBA
020.....	76320A.....	Band, AOD/AOD/E/4R70/75 OD Drum (2" Wide) 1990-Up.....	1.....	F2TZ-7F196-A
020.....	76320AK.....	Band, AOD/AOD/E/4R70/75 OD Drum (2" Wide) Kevlar, 1990-Up.....	1.....	TBA
020.....	76320AH.....	Band, AOD/AODE/4R70W/4R75W/4R70E/75E OD Drum (2" Wide) 1992-Up (Ray Pro Series).....	1.....	TBA
020.....	76320AHP.....	Band, AOD/AODE/4R70W/4R75W/4R70E/75E OD Drum (2" Wide) 1992-Up (Alto Red Eagle).....	1.....	Alto
024.....	76520.....	Band, AOD/AOD/E/4R70/75 Reverse 1980-Up.....	1.....	F0AZ-7D095-A
<b>BUSHINGS</b>				
030.....	K76905.....	Bushing Kit, AOD (With Cast Iron Drums) 1980-89.....	1.....	TBA
030.....	K76905B.....	Bushing Kit, AOD/AOD/E/4R70/75 (With Stamped Steel Drums) 1990-Up.....	1.....	TBA
034.....	36002B.....	Bushing, AOD/E/4R70/75 Pump (Babbit) (.760" Tall) 1980-Up.....	1.....	TBA
034.....	76001.....	Bushing, AOD/AOD/E/4R70/75 Pump (.702" Tall) 1980-Up (Bronze).....	1.....	TBA
036.....	36000B.....	Bushing, AOD/AOD/E/4R70/75 Stator (Front) 1980-Up.....	1.....	TBA
037.....	76000.....	Bushing, AOD Stator (Rear) 1980-91.....	1.....	TBA
037.....	36000A.....	Bushing, AOD/E/4R70/75 (Rear W/Notch) 1992-Up.....	1.....	TBA
038.....	76011.....	Bushing, AOD Direct Clutch Drum (W/Cast Iron Drum) 1980-89.....	1.....	TBA
038.....	76011A.....	Bushing, AOD/AODE/4R70W/75W/4R70E/75E Direct Drum (W/Stamped Steel Drum) 1990-Up.....	1.....	TBA
044.....	76022B.....	Bushing, AOD/AOD/E/4R70/75 Center Support 1980-Up.....	1.....	TBA
046.....	76006.....	Bushing, AOD/AOD/E/4R70/75 Reverse Clutch Drum (Rear) 1980-Up.....	1.....	TBA
046.....	76002.....	Bushing, AOD/AOD/E/4R70/75 Reverse Clutch Drum (Front) 1980-Up.....	1.....	TBA
048.....	76007.....	Bushing, AOD Forward Drum Shaft 1980-93.....	1.....	TBA
051.....	76010.....	Bushing, AOD/AOD/E/4R70/75 Reverse Sun Gear (Shell) 1980-Up.....	2.....	TBA
052.....	76003.....	Bushing, AOD/AOD/E/4R70/75 Forward Sun Gear 1980-Up.....	1.....	TBA
058.....	76012.....	Bushing, AOD/AOD/E/4R70/75 Planet (Rear) 1.380" OD 1980-Up.....	1.....	TBA
058.....	76013.....	Bushing, AOD/AOD/E/4R70/75 Planet (Front) 2.770" OD 1980-Up.....	1.....	TBA

## AOD, AODE, 4R70, 4R75

ILL#	Part#		QTY	REF#
064.....	76005.....	Bushing, AOD/AOD/E/4R70/75 Case 1980-Up.....	1.....	TBA
064.....	76030.....	Bushing, AOD/AODE Case (Top Hat, Replaces Case Bushing) 1980-Up.....	1.....	TBA
066.....	6014.....	Bushing, AOD Extension Housing (1.500" ID) (Babbit) 1980-92.....	1.....	TBA
066.....	76014.....	Bushing, AODE/4R70W/75W/4R70E/75E Extension Hsg (1.606" ID)(Bronze)1993-Up.....	1.....	TBA
<b>METAL CLAD SEALS</b>				
070.....	16601A.....	Seal, AOD Front W/Out Flange 1980-93.....	1.....	C2AZ-7A248-A
070.....	16601E.....	Seal, AODE/4R70/4R75 Front Pump W/Flange (Ribbed) 1992-Up.....	1.....	F2VY-7A248-A
070.....	36151V.....	Seal, AODE/4R70/4R75 Front Pump W/Flange (Black Viton) 1992-Up.....	1.....	E9TZ-7A248-B
070.....	16601EN.....	Seal, AODE/4R70W Front Pump W/Flange (National) 1992-Up.....	1.....	EPTZ-7A248-E
072.....	6507A.....	Seal, AOD/AODE/4R70/4R75 Linkage Shaft To Case 1980-Up.....	1.....	D5AZ-7B498-A
073.....	76511.....	Seal, AOD Throttle Lever 1980-93.....	1.....	E0AZ-7F337-A
074.....	8850B.....	Seal, AOD Rear (With Flange, Without Boot) 1980-93.....	1.....	D5AZ-7052-B
074.....	16695ES.....	Seal, AODE Rear (With Flange, With Short Boot) 1992-95.....	1.....	E2DZ-7052-A
074.....	76509.....	Seal, AODE/4R70/4R75 Rear, Trucks (With Long Boot) 1993-Up.....	1.....	F6UZ-7052-A
074.....	76509A.....	Seal, AODE/4R70/4R75 Rear (With Short Boot) 1993-Up.....	1.....	F7AZ-7052-A
<b>FRICTIONS</b>				
104.....	76604.....	Friction, AOD/AODE Intermediate Clutch (.080") Smooth, Hi-Energy, 1980-Up.....	3.....	E0AZ-7B164-D
104.....	76604HD.....	Friction, AOD/AODE Intermediate Clutch (.080") Hi Perf Red 1980-Up.....	3.....	TBA
104.....	BP76604.....	Friction, AOD/AODE Intermediate Clutch (.080") (Ray Blue Plate) 1980-Up.....	3.....	R577170
104.....	76604B.....	Friction, AODE/4R70/75E Intermediate Clutch (.066") Hi-Energy, Grooved, 1993-Up.....	3-4.....	TBA
104.....	76604AHD.....	Friction, AODE/4R70/75E Intermediate Clutch (.066") Hi Perf Red 1992-Up.....	3-4.....	TBA
104.....	BP76604A.....	Friction, AODE/4R70/75E Intermediate Clutch (.066") (Ray Blue Plate) 1993-Up.....	3-4.....	R577790
104.....	K76604HD.....	Friction Kit, AOD/AODE/4R70W/ Intermediate Clutch (.080") 3ea Hi-Perf Red 1980-97.....	1.....	TBA
106.....	76304.....	Friction, AOD/AODE Direct Clutch (.075") * Thick" (Hi-Energy) 1980-93.....	5.....	TBA
106.....	76304HD.....	Friction, AOD/AODE Direct Clutch (.075") (Hi Perf Red) 1980-93.....	5.....	49744
106.....	76304C.....	Friction, AOD/AODE Direct Clutch (.059") (Commercial) 1980-Up.....	AR.....	TBA
106.....	BP76304.....	Friction, AOD/AODE Direct Clutch (.075") (Ray Blue Plate) 1980-93.....	5.....	R577190
106.....	76304A.....	Friction, AODE/4R70/75E, Direct Clutch (.067") * Thin" (Hi Energy) 1994-Up.....	6.....	TBA
106.....	76304AHD.....	Friction, AODE/4R70/75E, Direct Clutch (.067") * Thin" (Hi-Perf Red) 1994-Up.....	6.....	TBA
106.....	76304AGPZ.....	Friction, AODE/4R70/75E, Direct Clutch (.067") (Raybestos GPZ) 1994-Up.....	6.....	GPZ180
106.....	BP76304A.....	Friction, AODE/4R70/75E, Direct Clutch (.067") * Thin" (Ray Blue Plate) 1994-Up.....	6.....	R577780
106.....	K76304HD.....	Friction Kit, AOD Direct Clutch (.059") 5ea Hi Perf Red 1980-Up.....	1.....	TBA
106.....	K76750.....	Fri & Steel Kit, AOD/E Dir Cl For Cast Iron Drum (8-.059 FR, 10-.060" ST, Press Plt) 1980-Up.....	1.....	49750A
106.....	K76750A.....	Fri & Steel Kit, AOD/E Dir Cl For Stamped St Drum(8-.059 FR, 8-.060" ST, Press Plt) L1989-.....	1.....	49754A
106.....	K76750HD.....	Fric & Steel Kit, AOD/E Dir Cl For Cast Iron Drum(8-Red FR, 10-Kol ST, Press Plt) 1980-Up.....	1.....	49750AHP
106.....	K76750AHD.....	Fric & Steel Kit, AOD/E Dir Cl For Stamp St Drum(8-Red FR, 8-Kol. ST, Press Plt) L1989-Up.....	1.....	49754AHP
106.....	K76750C.....	Fri & Steel Kit, AOD/E Dir Cl For Cast Iron Drum (8-.059 FR, 10-.060" ST, Press Plt) 1989-Up.....	1.....	FSMFORD003
106.....	K76750C-1.....	Fri & St Kit, AOD/E Dir Cl For Cast Iron Drum (8-.059 Stage-1 FR, 10-., Press Plt) 1989-Up.....	1.....	FSMFORD004
108.....	76504.....	Friction, AOD Reverse Clutch (.080") 1980-E83.....	3-4.....	E0AZ-7B164-B
108.....	76404.....	Friction, AOD/AODE/4R70/75, Reverse (.061") Small OD 5.250" L1983-Up.....	3-4.....	E0AZ-7B164-A
108.....	76404.....	Friction, AOD Forward (.061") Small OD 5.250" 1980-89.....	4-5.....	E0AZ-7B164-A
108.....	76404HD.....	Friction, AOD Fwd (1980-89) AOD/AODE Rev (1983-Up) (.061") Small OD 5.250" Hi-Perf Red.....	4-5.....	49740
108.....	76404A.....	Friction, AOD/E/4R70//75W (.061") Forward, Stamped Drum, Large OD 5.360" 1990-Up.....	4-5.....	F2VP-7E311-A
108.....	76404AHD.....	Friction, AOD/E/4R70/75 Forward, (.061") Large OD 5.360, Hi-Perf Red, 1990-Up.....	4-5.....	49740A
119.....	K76F.....	Friction Module, AOD 1980-E83.....	1.....	TBA
119.....	K76AF.....	Friction Module, AOD/AODE 1980-93.....	1.....	TBA
119.....	K76EF.....	Friction Module, AODE 1990-93.....	1.....	TBA
119.....	K76FF.....	Friction Module, AODE/4R70W 1993-Up.....	1.....	TBA
119.....	K76EFHE.....	Friction Module, AOD/E/4R70/75 (W/ Hi-En Dir & Intern) 1994-Up.....	1.....	TBA
119.....	K76FGPZF.....	Friction Module, AOD/E/4R70/75 (W/ Ray GPZ Direct Fric) 1994-Up.....	1.....	RGpz-108
119.....	K76-1.....	Friction Module, Stage 1, AOD/AODE/4R70W 1990-Up.....	1.....	TBA
119.....	K76AHDX.....	Friction/Steel Module, AOD (With PowerPack Direct Friction) 1980-Up (Contains: Kolene..... Steels (8 Forward (.068"), 8 Direct (.060"), 2 Direct (.070"), 3 Intermediate (.069"), 1 Direct..... Pressure Plate, 9 Forward Frictions, 8 PowerPack Frictions, 3 Intermediate Frictions).....	1.....	49750HPPWR
119.....	K76100HP.....	Friction Module, AOD (Blue Plate Special) (Raybestos) 1983-Up.....	1.....	TBA
<b>STEELS</b>				
124.....	76605.....	Steel, AOD/AODE/4R70/75 Intermediate Clutch (.069") 1980-Up.....	3.....	XL3Z-7B442-AA
124.....	76605K.....	Steel, AOD/AODE/4R70/75 Intermediate Clutch (.069") Kolene, 1980-Up.....	3.....	XL3Z-7B442-AA
124.....	76606.....	Steel, AOD/AODE/4R70/75 Intermediate Clutch (.079") 1980-Up.....	1-4.....	XL3Z-7B442-BA
124.....	76607.....	Steel, AOD/AODE/4R70/75 Intermediate Clutch (.089") 1980-Up.....	AR.....	XL3Z-7B442-CA
124.....	76608.....	Steel, AOD/AODE/4R70/75 Intermediate Clutch(.099") 1980-Up.....	AR.....	XL3Z-7B442-DA
126.....	76305.....	Steel, AOD Direct Clutch (.070") Cast Drum (28 Teeth) 1980-89.....	4.....	E0AZ-7B442-A
126.....	76305A.....	Steel, AOD/AODE Direct Clutch (.070") Stamped Drum (34 Teeth) 1990-Up.....	5-6.....	E9SZ-7B442-A
126.....	76305B.....	Steel, 4R70/4R75 Direct Clutch (.079") (34 Teeth) 1996-Up.....	5-6.....	TBA
126.....	76305D.....	Steel, AOD/AOD/E/4R70/75 Direct Clutch (.059") (34 Teeth) 1990-Up.....	5-6.....	TBA

## AOD, AODE, 4R70, 4R75

ILL#	Part#		QTY	REF#
126	76305C	Steel, AOD Direct Clutch (.059") (28 Teeth) (Commercial) 1980-89	AR	TBA
126	76305K	Steel, AOD Direct Clutch (.070") (28 Teeth) (Kolene) 1980-89	AR	TBA
126	76305AK	Steel, AOD/AOD/E/4R70/75 Direct Clutch (.059") (34T) Kolene 1990-Up	AR	TBA
126	K76305AK	Steel Kit, AOD/E/W Direct Clutch (.070") Hi-Perf Kolene, Alto 1990-Up	AR	49715KUP6
128	6205	Steel, AOD Forward & Reverse Clutch (.068") (54 Teeth) 1980-89	8	C8AZ-7B442-A
128	6205K	Steel, AOD Forward & Reverse Clutch (.068") (54 Teeth) Kolene 1980-89	8	TBA
128	76405	Steel, AOD/AODE/4R70/75 Forward Clutch (.069") (34T) 1990-Up	5	F0SZ-7B442-A
128	76405K	Steel, AOD/AODE/4R70/75 Forward Clu (.069") (34T) Kolene 1990-Up	5	TBA
128	76407	Steel, AOD/AODE/4R70/75 Reverse Clutch (.068") (32T) 1990-Up	3-4	F2TZ-7B442-A
128	76407K	Steel, AOD/AODE/4R70/75 Reverse Clutch (.068") (32T) (Kolene) 1990-Up	3-4	F2TZ-7B442-A
139	K76AS	Steel Module, AOD W/ Cast Drum, 1980-93	1	TBA
139	K76BS	Steel Module, AOD W/ Stamped Steel Drum, 1990-93	1	TBA
139	K76ES	Steel Module, AODE 1992-Up	1	TBA
139	K76FS	Steel Module, 4R70, 1993-95	1	TBA
139	K76GS	Steel Module, 4R70/4R75, 1996-Up	1	TBA
<b>PRESSURE PLATES</b>				
144	76307D	Pressure Plate, AOD Intermediate Clutch (.406") 1980-93	1	E0AZ-7B066-D
144	76307F	Pressure Plate, AOD Intermediate Clutch (.563") 1982-93	1	E0AZ-7B066-A
144	76307FA	Pressure Plate, AOD/E/4R70/75 Intermediate Clu (.258"-.260") 1992-Up	1	F3LY-7B066-BA
144	76307FB	Pressure Plate, AOD/E/4R70/75 Intermediate Clu (.239"-.240") 1992-Up	1	F7AZ-7B066-AA
146	76307E	Pressure Plate, AOD Direct Clutch Cast Iron Drum (.218") (28 Teeth) 1980-89	1	E0AZ-7B066-E
146	76307EA	Pressure Plate, AOD/E/4R70W/75W/70E Dir Cl (.218") (34T) Stamp Steel Drum 1990-Up	1	E9AZ-7B066-A
146	76307EF	Pressure Plate, AOD/AODE/4R70W Direct Clutch (.239") (34 Teeth) 1990-03	1	TBA
146	76307EG	Pressure Plate, AOD/AODE/4R70W Direct Clutch (.399") (34 Teeth) 1990-03	1	TBA
146	76307EX	Pressure Plate, AOD Direct Clutch (.128") (28 Teeth) (Commercial) 1980-89	1	TBA
148	76307AA	Pressure Plate, AOD Forward Cl, .272", 27T, Cast Iron Drum, 1980-83	1	E0AZ-7B066-C
148	76307B	Pressure Plate, AOD Forward Cl, .200", 27T, Cast Iron Drum, 1980-83	1	TBA
148	76307H	Pressure Plate, AOD/E/4R70/75 Forward Cl, 34T, Steel Drum, 1990-Up	1	F0SZ-7B066-B
150	76307AA	Pressure Plate, AOD Reverse Cl, .272", 27T, Cast Iron Drum, 1980-83	1	E0AZ-7B066-C
150	76307B	Pressure Plate, AOD Reverse Cl, .200", 27T, Cast Iron Drum, 1980-83	1	TBA
150	76307BA	Press Plate, Top, AOD/E/4R70/75 Reverse Cl, .200", 34T, Steel Drum, L1989-Up	1	F2TZ-7B066-A
150	76307BB	Press Plate, Top, AOD/E/4R70/75 Reverse Cl, .325", 34T, Steel Drum, L1989-Up	1	TBA
150	76307BC	Press Plate, Top, AOD/E/4R70/75 Reverse Cl, .345", 34T, Steel Drum, L1989-Up	1	TBA
150	76307BD	Press Plate, Top, AOD/E/4R70/75 Reverse Cl, .400", 34T, Steel Drum, L1989-Up	1	TBA
151	76307C	Press Plate, Bottom, AOD Reverse Cl, 54T (Beveled) Cast Iron Drum, 1980-89	1	E0AZ-7B066-B
151	76307CA	Press Plate, Bottom, AOD/E/4R70/75 Reverse Cl, 34T (Beveled) Steel Drum, L1989-Up	1	F2TZ-7B066-B
<b>VALVE BODY KITS</b>				
165	K76908S	Shift Correction Package, AOD 1980-93 (Superior)	1	KAOD
165	K76908	Shift Kit, AOD 1979-93 (Transgo)	1	SK® AOD
165	K76908SA	Shift Correction Package, AODE/4R70W 1992-Up (Superior)	1	KAOD-E
165	K76908E	Shift Kit, AODE/4R70W 1992-08 Transgo	1	SK® AODE
165	KAODEV	Valve Body Kit, AODE/4R70W (W/Steel Boost Valve & Sleeve) 1992-Up (Superior)	1	KAOD-E-V
165	KAODV	Shift Correction Package, AOD W/Boost Valve & Sleeve 1980-93 (Superior)	1	KAOD-V
169	23001-2	Valve Body Kit, AOD (Posi-Shift Stage 2 Pac) 1980-Up (Fairbanks)	1	23001-2
169	23007	Valve Body Kit, AODE (Transaction III & IV Stage Kit) 1991-Up (Fairbanks)	1	23007
171	K76908PTS	VB Kit, 4R75, "PowerTow" W/ Full No Ream Steel PR Valve Train, 04-Up (Fairbanks)	1	PT4R75
171	K76908HPS	Shift Correction Package, AOD (High Performance) 1980-93 (Superior)	1	KAOD-HP
171	AOD-HP	Reprogramming Kit, AOD High Perf & HD W/ "Hi-Rev" Kit (Holds 1st/2nd/3rd To Any RPM) 1983-93	1	Transgo
171	AODE-HD2	Reprogramming Kit, AODE High Performance	1	Transgo
173	AODE-3	Reprogramming Kit, AODE 1991-Up Full Manual Control Stick Shift	1	Transgo
<b>SEALING RINGS</b>				
175	K76901	Ring Kit, AOD (Metal With Seal Plated Governor Rings) 1980-91	1	TBA
175	K76901A	Ring Kit, AOD (Without Chrome Rings) (Metal) 1980-93	1	TBA
175	K76901E	Ring Kit, AODE/4R70W (Metal With Seal Plated Governor Rings) 1992-Up	1	TBA
175	K76901K	Ring Kit, AOD/E/4R70/75 2004-Up	1	TBA
177	76235T	Ring, AOD/E/4R70/75 Input Shaft (1.130" OD) Scarf Cut (Teflon) 1992-Up	2	F2VY-7B497-A
177	76235S	Ring, AOD/E/4R70/75 Input Shaft (1.130" OD) Solid (Teflon) 1992-Up	2	TBA
177	76229S	Ring, AOD/E/4R70/75 Direct Clutch 1996-Up (Updated) (Teflon, Solid)	2	TBA
179	76228	Ring, AOD/E/4R70/75 Stator (Rev Cl Drum) 2.624" OD (Metal) 1980-Up	2	E0AZ-7D020-A
179	76228T	Ring, AOD/E/4R70/75 Stator (Rev Cl Drum) 2.624" OD (Teflon) 1980-Up	2	TBA
180	76229	Ring, AOD/AODE/4R70W Output Shaft (Direct Clutch) .914" OD (Metal) 1980-95	2	E3AZ-7F274-A
180	76229T	Ring, AOD/AODE/4R70W Output Shaft (Direct Clu) .914" OD (Teflon) (Scarf Cut) 1980-95	2	E3AZ-7F274-A
181	76227	Ring, AOD Stator (Forward Clutch) 2.374" OD (Metal) 1980-92	2	E0AZ-7D019-A
181	76227A	Ring, AODE/4R70W Stator (Forward Clutch) 2.374" OD (Metal, Hardened) 1993-03	2	F4AZ-7D019-A
181	76227KT	Ring, AOD/E/4R70/75 Stator (Forward Clutch) 2.374" OD (Teflon) 2004-Up	2	TBA

## AOD, AODE, 4R70, 4R75

ILL#	Part#		QTY	REF#
189.....	76230.....	Ring, AOD/E/4R70/75 Output Shaft To Case 1.752" OD (Cast Iron) 1980-.....	3-4.....	E0AZ-7F273-A
189.....	76234.....	Ring, AOD/E/4R70/75 Output Shaft To Case 1.752" OD (Seal Plated) 1980-.....	3-4.....	E6AZ-7F273-A
191.....	76231.....	Ring, AOD 2-3 Accumulator (Upper) 1.223" OD (Metal) 1980-Up (Rubber Is 76352).....	1.....	TBA
191.....	76231T.....	Ring, AOD/AODE 2-3 Accumulator (Upper) 1.223" OD (Teflon) 1980-86.....	1.....	E0AZ-7F273-A
191.....	76232T.....	Ring, AOD/AODE 2-3/3-4 Accum(Lower) 1.994" OD (Teflon) (Also 1-2 Lower) 1980-Up.....	2-3.....	E0AZ-7F249-A
192.....	76233T.....	Ring, AOD 3-4 Accumulator 1.596" OD (Teflon) 1980-Up & AODE 1-2 (Upper).....	1-2.....	E0AZ-7F248-A
<b>WASHERS &amp; BEARINGS</b>				
200.....	K76907.....	Washer Kit, AOD/AOD/E/4R70/75 (5 Pump Selective Only) 1980-Up.....	1.....	TBA
201.....	K76906.....	Bearing Kit, AOD (Torrington) 1980-E92.....	1.....	TBA
201.....	K76906A.....	Bearing Kit, AODE (Torrington) 1992-Up.....	1.....	TBA
201.....	K76906B.....	Bearing Kit, 4R70W (Torrington) 1993-03.....	1.....	TBA
201.....	K76906K.....	Bearing Kit, AOD/E/4R70/75 (Torrington) 2004-Up.....	1.....	TBA
211.....	76409A.....	Washer, AOD/AOD/E/4R70/75 Stator (.052") #1 (Green) 1980-Up.....	1.....	E0AZ-7D014-A
211.....	76409B.....	Washer, AOD/AOD/E/4R70/75 Stator (.070") #2 (Yellow) 1980-Up.....	1.....	E0AZ-7D014-B
211.....	76409C.....	Washer, AOD/AOD/E/4R70/75 Stator (.087") #3 (Brown) 1980-Up.....	1.....	E0AZ-7D014-C
211.....	76409D.....	Washer, AOD/AOD/E/4R70/75 Stator (.104") #4 (Red) 1980-Up.....	1.....	E0AZ-7D014-D
211.....	76409E.....	Washer, AOD/AOD/E/4R70/75 Stator (.121") #5 (Blue) 1980-Up.....	1.....	E0AZ-7D014-E
229.....	76427.....	Bearing W/Race, AOD Direct Drum Outer 2-PC 1980-93.....	1.....	E0AZ-7F240-A
229.....	76427A.....	Brg W/Races, AODE/4R70W Direct Drum Outer 3-PC (Rear) .135" Thk (2.620" OD) 92-03.....	1.....	F1AZ-FF240-A
229.....	96428.....	Brg W/Races, 4R70W/75W/70E Dir Drum, Rear .135" Thk (2.665" OD) 2003-Up (Retro To 92).....	1.....	3C3Z-7F240-AA
232.....	36431A.....	Bearing, Fwd Clu Drum To Fwd Clu Hub, 1980-Up.....	1.....	E9TZ-7D2234-A
235.....	76425.....	Bearing W/Races, AOD/E/4R70W Sun Shell Front (80-93) & AOD Rear (80-93)(2.200" OD).....	1-2.....	E0AZ-7C096-A
235.....	76425.....	Bearing W/Races, 4R70W/70W/75E Sun Shell Front, (2.310" OD) 2004-Up (Retro To 1980).....	1-2.....	3L3Z-7C096-AA
238.....	36431A.....	Brg W/Races, AOD/AOD/E/4R70/75 Forward Drum To Hub 1980-Up.....	2.....	E9TZ-7D2234-A
244.....	76425.....	Bearing, AOD Sun Shell (Rear) 1980-93.....	1.....	E0AZ-7C096-A
244.....	76425A.....	Bearing W/Races, AODE/4R70W Sun Shell (Rear) (2.040" OD) (.169" Thick) 1992-00.....	1.....	F3LY-7F244-A
244.....	76425B.....	Bearing W/1 Race, AOD/E/4R70/75 Sun Shell (Rear) (.145" Thick) 2001-Up.....	1.....	3L3Z-7D234-AA
		(Uses A Separate Race # 76224CA On The Back).....		
244.....	76425BR.....	Race, 4R70W/75W/70E/75E Sun Shell Rear (.058" Thk, 1.457" ID) 2001-Up (Use W/76425B).....	1.....	3L3Z-7D235-AA
247.....	76428.....	Bearing, AOD/AODE/4R70W Rear Planet (Inside Planet) 1980-Up.....	1.....	E0AZ-7F243-A
247.....	76431.....	Washer, AOD Rear Planet (Bronze) Bearing Replacement 1980-Up.....	1.....	TBA
251.....	76428.....	Bearing, AOD/AODE/4R70W Direct Drum To Hub (.225" Thick) 1980-03.....	1-2.....	E0AZ-7F243-A
251.....	76428A.....	Bearing W/Races, AOD/E/4R70/75 Direct Drum To Hub (.185" Thick) 2004-Up.....	1.....	TBA
252.....	76429A.....	Race, AOD Direct Drum To Hub 1980-93.....	1.....	E0AZ-7F237-A
252.....	76429.....	Race, AOD/AODE/4R70/75 Direct Drum To Hub 1992-Up.....	1.....	F4AZ-7F237-A
257.....	76411.....	Washer, AOD Reverse Drum To Forward Drum 1980-E83.....	1.....	E0AZ-7A166-A
257.....	76411A.....	Bearing, AOD/AOD/E/4R70/75 Reverse Drum To Forward Drum 1983-Up.....	1.....	E1TZ-7A166-A
257.....	76411B.....	Bearing, 4R70W/75W/70E/75E Rev Drum To Fwd Drum (W/ Diode Drum) 2004-Up.....	1.....	TBA
260.....	76430.....	Bearing W/Race, AOD Rear Ring Gear Support To Case 1980-92.....	1.....	E0AZ-7F242-A
260.....	76430G.....	Bearing W/Race, AODE/4R70/4R75 Rear Ring Gear Support To Case (3.115" OD) 1992-Up.....	1.....	3L3Z-7F242-AA
<b>GASKETS &amp; RUBBER COMPONENTS</b>				
300.....	76500.....	Gasket, AOD Pan 1980-93 (Cork).....	1.....	E0AZ-7A191-A
300.....	76500F.....	Gasket, AOD Pan 1980-93 (Farpak).....	1.....	TBA
300.....	76500A.....	Gasket, AOD/E/4R70/75 Pan 1992-Up (Cork).....	1.....	F2VY-7A191-A
300.....	76500AF.....	Gasket, AOD/E/4R70/75 Pan 1992-Up (Farpak).....	1.....	TBA
300.....	76500E.....	Gasket, AOD/E/4R70/75 Pan 1992-Up (Bonded Rubber).....	1.....	TBA
305.....	76527.....	Gasket, AOD/AODE Extension Housing 1980-95.....	1.....	E0AZ-7086-A
305.....	76527A.....	Gasket, AOD/E/4R70/75 Extension Housing (Silicone Beaded) 1996-06.....	1.....	F6AZ-7086-A
305.....	76527B.....	Gasket, AOD/E/4R70/75 Extension Housing 2007-Up.....	1.....	9L3Z-7086-B
310.....	76501.....	Gasket, AOD Pump 1980-93.....	1.....	E3SZ-7A136-A
310.....	76501E.....	Gasket, AOD/E/4R70/75 Pump 1992-Up.....	1.....	F2VY-7A136-A
311.....	76502.....	O-Ring, AOD/AOD/E/4R70/75 Pump 1980-Up.....	1.....	E0AZ-7A248-A
317.....	100129.....	Gasket, Transf Case Adapter (NP208/BW1345/BW1356).....	1.....	TBA
320.....	76506W.....	Gasket, AOD Valve Body (Upper) 1980-93.....	1.....	E0AZ-7C099-B
320.....	76506E.....	Gasket, AODE/4R70W Valve Body (Upper) (Yellow) 1992-95.....	1.....	F2VY-7C155-A
320.....	76506F.....	Gasket, 4R70E/4R75W/4R70W/4R75E Valve Body (Upper) White Stripe, 1996-Up.....	1.....	F7AZ-7C155-AA
321.....	76507.....	Gasket, AOD Valve Body To Plate (Lower) 1980-89.....	1.....	E9AZ-7D100-A
321.....	76507A.....	Gasket, AOD Valve Body To Plate (Lower) 1990-93.....	1.....	F0AZ-7D100-A
321.....	76507E.....	Gasket, AODE Valve Body To Plate (Lower) 1992-95.....	1.....	F3LY-7D100-A
321.....	76507G.....	Gasket, 4R70W Valve Body To Plate (Lower) (White Stripe) 1996-00.....	1.....	F7AZ-7D100-AA
321.....	76507F.....	Gasket, AOD/E/4R70/75 Valve Body To Plate (Lower) (Blue Stripe) 2001-Up.....	1.....	TBA
322.....	76508.....	Gasket, AODE Valve Body To Valve Body Cover Plate 1992-95.....	1.....	F2VY-7H173-A
322.....	76508A.....	Gasket, AOD/E/4R70/75 Valve Body To Cover 1996-Up.....	1.....	F6AZ-7H173-A
326.....	76505.....	Gasket, AOD Filter 1980-93.....	1.....	E0AZ-7E062-A
332.....	76518.....	Lip Seal, AOD/AODE/4R70W Intermediate Clutch (Inner) 1980-03.....	1.....	E0AZ-7F225-A
333.....	76519.....	Lip Seal, AOD/AODE/4R70W Intermediate Clutch (Outer) 1980-03.....	1.....	E0AZ-7F224-A

## AOD, AODE, 4R70, 4R75

ILL#	Part#		QTY	REF#
334	76512	Lip Seal, AOD/AOD/E/4R70/75 Forward Clutch (Inner) 1980-Up	1	E0AZ-7C099-A
335	76513	Lip Seal, AOD/AOD/E/4R70/75 Forward Clutch (Outer) 1980-Up	1	E0AZ-7A548-A
336	76514	Lip Seal, AOD/AOD/E/4R70/75 Direct Clutch (Inner) 1980-Up	1	E0AZ-7C099-B
337	76515	Lip Seal, AOD/AOD/E/4R70/75 Direct Clutch (Outer) 1980-Up	1	E0AZ-7A548-B
338	76516	Lathe Cut Seal, AOD/AOD/E/4R70/75 Reverse Clutch (Inner) 1980-Up	1	E0AZ-7D404-A
339	76517	Lathe Cut Seal, AOD/AOD/E/4R70/75 Reverse Clutch (Outer) 1980-Up	1	E0AZ-7D403-A
352	76529	O-Ring, AODE 1-2 Accumulator (Small) 1992-96	1	TBA
352	76528	O-Ring, AODE 1-2 Accumulator (Large) 1992-96	1	TBA
354	13322	O-Ring, AOD 3-4 Accum Cover 1980-92 (Also Fits AODE 1-2 Accum Cover 1992-96)	1-2	E0AZ-7F294-A
360	76510	O-Ring, AODE 1-2 Accumulator Cover 1992-96 (Use 76354)	1	TBA
367	76524	Lathe Cut Seal, AOD/AODE/4R70/75 Overdrive Servo Cover 1980-Up	2	E0AZ-7D026-A
367	76523	O-Ring, AOD Overdrive Servo Piston (1.937") 1980-93	1	E0AZ-7D024-A
367	76522	O-Ring, AOD Overdrive Servo Piston (2.250") 1980-93	1	E0AZ-7D024-B
367	76525	O-Ring, AOD Overdrive Servo Piston (2.437") 1989-93	1	E9SZ-7D024-A
371	3291	O-Ring, AOD/AODE/4R70W Filler Tube 1980-Up	1	6264902
374	3096	O-Ring, AOD/AODE/4R70W Output Shaft To Yoke 1980-Up	1	TBA
377	76521	O-Ring, AOD Neutral Safety Switch 1980-93	1	87009-S100
378	13327	O-Ring, AOD/AOD/E/4R70/75 Cooler Line (Viton) Push In Type (5/16" Line)	1	Teckpak
379	76547A	Boot, AOD Filter To Case 1980-93	1	TBA
379	76547B	Seal, AODE/4R70W Filter To Case 1992-Up	1	TBA
390	K76900-2	External Seal Kit, AOD 1980-Up	1	TBA
390	K76900-2A	External Seal Kit, AOD/E/4R70/75 (Cork) 1992-Up	1	TBA

### TECHNICAL MANUALS

400	TMAOD	Technical Manual, AOD 1980-93	1	83-AODTM
400	TMAODE	Technical Manual, AODE 1992-Up	1	83-AODETM
400	TM4R70W	Tech Manual, 4R70W (Update Hand Book) (ATSG)	1	TBA
407	TMAODEV	Technical Video, AODE With Manual	1	83-SGVT-24

### ELECTRICAL COMPONENTS

410	56991A	Switch, AOD Neutral Safety (4 Pin) 1980-84	1	D6RY-7A247-B
410	56991	Switch, AOD Neutral Safety (5 Pin) 1985-93	1	FOVY-7A247-A
410	76991	Switch, AODE MLPS / Neutral Safety (8 Pin) 1992-97	1	F5AZ-7A247-A
410	76991B	Switch, 4R70W MLPS / Neutral Safety (11 or 12 Pin) 1997-08 *Except Crown Vic/Grand Marq	1	F7LZ-7F293-AB
410	76991A	Switch, 4R70W MLPS / Neutral Safety (8 Pin, Analog) 1995-10/97 *Crown Vic/Grand Marq	1	F5VY-7F293-AA
410	76991C	Switch, 4R70W MLPS / Neutral Safety (12 Pin, Digital) 10/97-Up *Crown Vic/Grand Marq	1	F8AZ-7F293-AA
NI	76981C	Repair Kit, 4R75W, Neutral Safety Connector Pigtail, 2004-Up	1	F75Z-14A411-AA
416	76971	Shudder Fix, AODE TC (Circuit Board) 1992-97 (ATSG) DISCONTINUED	1	76918-SF
420	MSAODE	Solenoid Master Kit, AODE 1992-E95 (Teckpak)	1	MS-AODE
420	MS-AODEA	Solenoid Master Kit, AODE L1995-97 (1 Shift Pack, 1 Lock-Up, 1 Press Reg Sol) Teckpak	1	MS-AODE-95
420	76919U	Shift Solenoid Pack, AODE Dual Solenoid 1992-97 (Teckpak)	1	F7AZ-7G484-AA
421	76919R	Solenoid, AODE/4R70W Shift (Dual Pack) 1992-97 (Rostra)	1	F7AZ-7G484-AA
421	76919	Solenoid, AODE/4R70W Shift (Dual Pack) 1992-97 (OEM)	1	F7AZ-7G484-AA
421	76925	Solenoid, AOD/E/4R70/75 Shift (Dual) 1998-08 (Hard Wire)	1	F8AZ-7G484-AB
421	76925A	Solenoid, AOD/E/4R70/75 Shift (Dual) 2009-Up (Soft Wire)	1	9L3Z-7G484-A
425	76918U	Solenoid, AODE/4R70W Lock-Up (TCC) Solenoid 1992-E95 (Teckpak)	1	F2VY-7G136-AC
425	76918R	Solenoid, AODE/4R70W Lock-Up (TCC) Solenoid 1992-E95 (Rostra)	1	F2VY-7G136-AC
425	76918	Solenoid, AODE/4R70W Lock-Up (TCC) (PWM) (Black Connector) OEM 1992-E95	1	F2VY-7G136-AC
425	76921U	Solenoid, AODE/4R70W Lock-Up (TCC) (PWM) (White Connector)L1995-97 (Teckpak)	1	F5AZ-7G136-A
425	76921R	Solenoid, AODE/4R70W Lock-Up (TCC) (PWM) (White Connector)L1995-97 (Rostra)	1	F5AZ-7G136-A
425	76921	Solenoid, AODE/4R70W Lock-Up (TCC) (PWM) (White Connector) L1995-97 (OEM)	1	F5AZ-7G136-A
425	76922	Solenoid, AOD/E/4R70/75 Lock-Up (TCC) 1998-08 (Hard Wire)	1	F8AZ-7G136-AA
425	76922A	Solenoid, AOD/E/4R70/75 Lock-Up (TCC) 2009-Up (Soft Wire)	1	9L3Z-7G136-AA
431	76923	Solenoid, AODE/4R70W EPC (Electronic Pressure Control) 1992-97	1	F6AZ-7G383-AA
431	76926	Sol, 4R70W/75E, EPC (Elec Press Control) 1998-00, Green Or Red Conn (Use 76926A)	1	F8AZ-7G383-AB
431	76926A	Sol, 4R70W/75W/70E/75E, EPC (Elec Press Control) 1998-04, Tan Or Yellow Conn	1	XL3Z-7G383-AB
431	76926B	Solenoid, 4R70/75E/W, EPC (Electronic Pressure Control) 2005-08 (Hard Wire)	1	5C2Z-7G383-AB
431	76926C	Solenoid, 4R70/75E/W, EPC (Electronic Pressure Control) 2009-Up (Soft Wire)	1	9L3Z-7G383-A
436	76985	Sensor, AODE/4R70W Output Speed (With 2-O-Rings) 1992-00	1	F4AZ-7H103-A
436	76985A	Sensor, AOD/E/4R70/75 Output Speed (With 1-O-Ring) 2001-03	1	XR3Z-7H103-AA
436	76985B	Sensor, 4R75W/4R70E/4R75E Output Speed 2004-Up	1	3L3Z-7H103-AA
437	96956	Sensor, AODE/4R70W Transmission Oil Temperature 1992-Up	1	F1DZ-7H141-A
438	76987	Sensor, 4R70W/E/4R75W/E Center Case / Turbine Shaft Speed, 2004-Up	1	3L3Z-7M101-AA
NI	K76895A	Repair Kit, External Speed Sensor, Case Connector, AODE, 1992-97	1	F2PZ-14A464-A
444	76986B	Connector, AOD/E/4R70/75 Case Hard Wire 1998-08	1	F8AZ-7G276-AA
445	96968	Repair Kit, 4R70W External Wire Harness 10-PIN, 1993-Up (Rostra)	1	350-0064
446	76986	Wire Harness, AODE/4R70W Internal W/ Connector (9-Pin) 1992-97	1	F2VY-7G276-A
446	76986A	Wire Harn, 4R70W/E/4R75W Internal (Enclosed Circuit Board) (Hard Wire) 1998-08	1	F8AZ-7G276-BA

## AOD, AODE, 4R70, 4R75

ILL#	Part#		QTY	REF#
446.....	76986C.....	Wire Harn, 4R70W/E/4R75W Internal W/ Conn (Soft Wire) 2009-Up.....	1.....	9L3Z-7G276-A
<b>MISCELLANEOUS COMPONENTS</b>				
NI.....	30126.....	Union, 5/16".....	1.....	TBA
483.....	76621.....	Pin, AODE (Oversize) Under #691 Sleeve) Blocks Off Governor Oil Not Needed On AODE.....	1.....	TBA
487.....	26710.....	Grommet, ATX Linkage Small.....	1.....	D4AZ-7341-A
487.....	26712.....	Grommet, ATX Linkage Medium.....	1.....	TBA
487.....	26711.....	Grommet, ATX Linkage Large.....	1.....	TBA
487.....	26713A.....	Bushing, AOD Carburetor-End Of T.V. Rod (Steel Replacement Bushing).....	1.....	F3SZ-7H303-B
487.....	26713A-3.....	Bushing, AOD Carburetor-End Of T.V. Rod (Steel Replacement Bushing) (3 Per Pack).....	1.....	TBA
487.....	26713C.....	Grommet, AOD Passing Gear Grommet (Narrow Groove) Green.....	1.....	E0AZ-7F330-A
487.....	26713B.....	Grommet, AOD Passing Gear Grommet (Wide Groove) Black.....	1.....	TBA
487.....	26713.....	Grommet, AOD/AODE/4R70W Passing Gear (Narrow Groove) Yellow.....	1.....	TBA
487.....	30131.....	E-Clips, AOD Linkage.....	1.....	TBA
496.....	K31292.....	Cooler Line Repair Kit, AOD (Teckpak).....	1.....	E3AZ-7D273-A
496.....	31289C.....	Retaining Clip, AOD/AODE/4R70W Cooler Line Fitting (Plastic, Push In Type) Ford.....	1.....	Teckpak
496.....	KT31289.....	Kit, O-Ring Installation Cooler Line, (Ford) (Teckpak).....	1.....	TBA
497.....	AS1-01K.....	Detent Cable End, AOD Teardrop Style Conn (OE Style (No Slot) Cable Must Be Crimped).....	1.....	TBA
<b>PUMPS &amp; PUMP COMPONENTS</b>				
500.....	76200.....	Pump, AOD 1980-93.....	1.....	EOAZ-7A103-A
500.....	76200C.....	Pump, AODE/4R70W (For Units With Alum Intern Piston) 1995-03 (Retrofits To 1992).....	1.....	TBA
500.....	76200A.....	Pump, AODE 1992-94 (.568" Pump Gears) (Use 76200C).....	1.....	TBA
500.....	76200B.....	Pump, 4R70W 1993-94 (Use 76200C).....	1.....	TBA
500.....	76200K.....	Pump, 4R70/4R75 (For Units With Bonded Intern Piston) 2004-08.....	1.....	3L3Z-7A103-AA
500.....	76200L.....	Pump, 4R75W (For Units W/ Late .656" Pump Gears) 2009-Up.....	1.....	TBA
510.....	76203.....	Pump Body, AOD (Cast Iron) 1980-93.....	1.....	E0AZ-7A103-A
510.....	76203A.....	Pump Body, AODE (Aluminum) (.568" Gears) Cast# F2, 1992-94.....	1.....	F2AZ-7A103-A
510.....	76203B.....	Pump Body, AODE/4R70W (.568" Gears) Cast# F3/F4 (Can Use 76203C) 1993-94.....	1.....	TBA
510.....	76203C.....	Pump Body, AODE/4R70W (.608" Gears) (Uses Alum Intern Piston) 1995-03.....	1.....	TBA
510.....	76203K.....	Pump Body, 4R70W/4R75W (Uses Bonded Intern Piston) 2004-08.....	1.....	TBA
510.....	76203L.....	Pump Body, 4R70W/4R75W (.656" Gears) 2009-Up.....	1.....	TBA
520.....	76204.....	Stator, AOD Pump 1980-93.....	1.....	E0AZ-7A108-A
520.....	76204A.....	Stator, AODE Pump 1992-93 (#F2VP).....	1.....	F4AZ-7A108-A
520.....	76204B.....	Stator, AODE/4R70W Pump 1993-Up (Can Use 76204C).....	1.....	TBA
520.....	76204C.....	Stator, 4R70W Pump (Uses Metal Rings #181) 1993-03.....	1.....	TBA
520.....	76204K.....	Stator, 4R70/4R75 Pump (Uses Teflon Rings #181) 2004-Up.....	1.....	3L3Z-7A108-AA
507.....	76204-01.....	Stator Support Sleeve, AOD/AODE/4R70W Prevents Converter Release Leakage (Sonnax).....	1.....	76204-01
530.....	K36201.....	Gear Set, AOD Pump, 1980-93.....	1.....	C6AP-7C010-B
530.....	K36201A.....	Gear Set, AODE Pump (.568" Thick) 1992-94.....	1.....	TBA
530.....	K36201B.....	Gear Set, AOD/E/4R70/75 Pump (.608" Thick) 1995-08.....	1.....	TBA
530.....	K76201B.....	Gear Set, 4R75 Pump (.656" Thick) 2009-Up.....	1.....	TBA
<b>DRUMS &amp; PISTON KITS</b>				
554.....	76879.....	Drum, AOD Fwd W/ Hollow Input Shaft (5-CI) Cast Iron, No Groove, 1980-93.....	1.....	E4AZ-7F207-A
554.....	76879A.....	Drum, AOD Fwd W/ Hollow Input Shaft (4-CI) Cast Iron, 1-Groove, 1980-93.....	1.....	E4AZ-7F207-B
554.....	76878A.....	Drum, AOD Fwd W/ Hollow Input Shaft (5-CI) Stamp Steel 1989-93.....	1.....	F0SZ-7F207-A
554.....	76878B.....	Drum, AODE/4R70/75 Fwd W/ Solid Input (5-CI) Stamp Steel, 1-Hole In Ring Surface, 1992-02.....	1.....	F3LY-7F207-A
554.....	76878WA.....	Drum, AODE/4R70/75 Fwd W/ Solid Input (5-CI) Stamp Steel, 3-Holes In Ring Surface, 2003-Up.....	1.....	TBA
554.....	AOD-SHAFT.....	Input Shaft, HD, Allows Use Of C-6 Converter in AOD, Cast Or Steel Drum 80-93 (Transgo).....	1.....	AOD-SHAFT KIT
555.....	76880AA.....	Drum, AOD Direct (3 Clutch) (Cast Iron) 1980-81.....	1.....	TBA
555.....	76880AB.....	Drum, AOD Direct (3 Clutch) (Cast Iron) 1982-93.....	1.....	TBA
555.....	76880A.....	Drum, AOD Direct (4 Clutch) (Cast Iron) 1980-Up.....	1.....	TBA
555.....	76880AC.....	Drum, AOD Direct (4 Clutch) (Cast Iron) 1982-93.....	1.....	TBA
555.....	76880B.....	Drum, AOD Direct (5 Clutch) (Cast Iron) 1982-93.....	1.....	F2AZ-7F283-B
555.....	76880.....	Drum, AOD Direct (6 Clutch) (Cast Iron) 1982-93.....	1.....	TBA
555.....	76881.....	Drum, AODE/4R70/4R75 Direct (6-Clutch) (Stamped Steel) 1989-Up.....	1.....	F2AZ-7F283-A
555.....	76881A.....	Drum, AODE/4R70/4R75 Direct (5-Clutch) (Stamped Steel) 1989-Up.....	1.....	F2AZ-7F283-B
556.....	76877.....	Drum, AOD Reverse W/Sprag (3-Clutch) Washer Type (# 257) Cast Iron, 1980-E83.....	1.....	TBA
556.....	76876.....	Drum, AOD Reverse W/Sprag (4-Clutch) Washer Type (# 257) Cast Iron, 1980-E83.....	1.....	E0WY-7D044-B
556.....	76877A.....	Drum, AOD Reverse W/Sprag (3-Clutch) Bearing Type (# 257) Cast Iron, L1983-93.....	1.....	E5TZ-7D044-C
556.....	76876A.....	Drum, AOD Reverse W/Sprag (4-Clutch) Bearing Type (# 257) Cast Iron, L1983-93.....	1.....	E2AZ-7D044-B
556.....	76877B.....	Drum, AOD Reverse W/Sprag (4-Clutch) Bearing Type (# 257) Cast Iron, 1992-Up.....	1.....	TBA
556.....	76877C.....	Drum, AOD/AODE Reverse W/Sprag (7-Roller) (4-Clutch) Stamped Steel, 1992-Up.....	1.....	F4AZ-7D044-A
556.....	76877D.....	Drum, AODE/4R70 Reverse W/Sprag (14-Roller) (4-Clutch) Stamped Steel, 1992-Up.....	1.....	F3LY-7D044-A
556.....	76877E.....	Drum, AODE/4R70/75 Reverse W/Sprag (Diode) (3 or 4-Clutch) Stamped Steel, 1992-Up.....	1.....	F8AZ-7D044-AA
562.....	K76855A.....	Piston Kit, AOD/AODE/4R70W Intermediate Clutch (Aluminum) 1980-03.....	1.....	TBA
562.....	K76855.....	Piston Kit, AOD/E/4R70/75 Intermediate Clutch (Bonded) 2004-Up.....	1.....	TBA



## AOD, AODE, 4R70, 4R75

ILL#	Part#		QTY	REF#
564	K76803	Piston Kit, AOD Forward Clutch 1980-93	1	TBA
564	K76803A	Piston Kit, AODE Forward Clutch (1.050" Overall Thickness) (No Cast #) 1992-95	1	TBA
564	K76803B	Piston Kit, 4R70W/75W/70E/75E Fwd Cl (1.020" Overall Thick, Cast# RFF6) 1995-Up	1	TBA
565	K76804	Piston Kit, AOD Dir Cl (Cast Iron) (Check Ball Staked In Piston, No Metal Retainer 1980-93	1	TBA
565	K76804AA	Piston Kit, AOD Direct Clutch (Cast Iron Drum) (Has A Metal Check Ball Retainer) 1980-93	1	TBA
565	K76804A	Piston Kit, AOD/AOD/E/4R70/75 Dir Cl (Stamped Steel Drum) 1989-Up	1	TBA
566	K76802	Piston Kit, AOD Reverse Clutch (.414") 1980-93	1	TBA
566	K76802A	Piston Kit, AOD/E/4R70/75 Reverse Clutch (.494") 1992-Up	1	TBA

### HUBS, PLANETS, RING GEARS, SUN GEARS, SHELLS & SUPPORTS

574	76864	Clutch Hub, AOD Forward Clutch 1980-93	1	E0AZ-7B067-A
574	76864A	Clutch Hub, AOD/E/4R70/75 Forward Clutch 1992-Up	1	F2AZ-7B067-A
575	76868A	Clutch Hub, AOD Direct Clutch (Cast #AA) 1980-81	1	E0AZ-7F236-A
575	76868B	Clutch Hub, AOD Direct Clutch (Cast #AB) 1982-93	1	E0AZ-7F236-B
575	76868W	Clutch Hub, AODE/4R70/4R75, Direct Clutch (Cast #F30) 1992-Up	1	TBA
584	76883	Planet, AOD, 1983-82 (Can Use 76883A)	1	E6AZ-7A398-A
584	76883A	Planet, AOD/AODE (Cover Is 4.750" OD) 1980-95	1	F2AZ-7A398-A
584	76883B	Planet, AODE/4R70W (Top Cover Is 4.845" OD & Riveted On) (25T On Long Gears) 1996-03	1	TBA
584	76883C	Planet, 4R70/4R75 (Top Cover Is 5.115" OD & Is Welded On) 2004-Up	1	TBA
584	K76883	Geartrain, AOD (Shell, Fwd Sun Gear, Center Supp, Planet, Ring Gr) 1980-82	1	TBA
584	K76883A	Geartrain, AOD (Shell, Fwd Sun Gear, Center Supp, Planet, Ring Gr) 1983-93	1	TBA
584	K76883AA	Geartrain, AODE (Shell, Fwd Sun Gear, Center Supp, Planet, Ring Gr-72T W/Sens Hole) 92-95	1	TBA
584	K76883B	Geartrain, 4R70W (Shell, Fwd Sun Gear, Center Supp, Planet, Ring Gr-88T W/Sens Hole) 93-03	1	TBA
584	K76883C	Geartrain, 4R75W (Shell, Fwd Sun Gear, Center Supp, Planet, Ring Gr-88T No Sens Hole) 04-Up	1	TBA
594	76874	Ring Gear, AOD Planet (72 Teeth No Sensor Holes) 1980-93	1	E0AZ-7A153-A
594	76874A	Ring Gear, AODE Planet (72 Teeth W/ Sensor Holes) 1992-95	1	F2AZ-7A153-A
594	76874B	Ring Gear, 4R70W (88T W/ Sensor Holes) 1993-03	1	F3AZ-7A153-A
594	76874D	Ring Gear, 4R75W (88T No Sensor Holes) 2004-Up	1	3L3Z-7A233-BA
604	76866	Hub, AOD Ring Gear (5.380" OD) (2-PC Bearing #229 Has 1 Race) 1980-91	1	E0AP-7D164-A
604	76866A	Hub, AOD/AODE Ring Gear (5.380" OD) (3-PC Bearing # 229 Has 2 Races) 1992-95	1	TBA
604	76866B	Hub, AODE/4R70W/4R75W/4R70E Ring Gear (5.160" OD) 1992-Up	1	F3LY-7D164-B
612	76872	Sun Gear, AOD/AODE Forward, 30T, 1980-95	1	E0AZ-7A399-A
612	76872A	Sun Gear, AODE/4R70 Fwd, 31T, Uses 1-Pc Bearing, 1.177" Thick Gear, 1992-02	1	F3LY-7A399-A
612	76872B	Sun Gear, 4R70/75 Fwd, 31T, Uses 2-Pc Bearing & Race, 1.167" Thick Gear, 2003-Up	1	9L3Z-7A399-A
612	K76872B	Kit Sun Gear, Fwd, 4R75W, 2nd Design (31T) (Sun Gear, Bearing, Spacer) 2004-Up	1	TBA
624	76870	Shell W/Sun Gear, AOD, 36T, For Cast Iron Reverse Drum 1980-93	1	E0AZ-7A019-A
624	76870A	Shell W/Sun Gear, AOD/AODE, 36T, For Steel Reverse Drum 1989-97	1	F4AZ-7A019-A
624	76870C	Shell W/Sun Gear, 4R70W / 4R75W, 38T, Ferrous/Magnetic, 1992-03	1	F4SZ-7A019-A
624	76870D	Shell W/Sun Gear, 4R70W / 4R75W, 38T, NON-Ferrous/Magnetic, 2004-Up	1	9L3Z-7A019-A
624	K76870C	Kit, Shell W/Sun Gear, W/ Bearing & Race, AODE/4R70W /4R75W, 38T, Ferrous, 93-Up	1	4L3Z-7D234-AA
630	76993	Center Support, AOD/AODE/4R70W (6-Outer Lugs) 1980-03	1	E0AZ-7A130-A
630	76993W	Center Support, AOD/E/4R70/75 (5-Outer Lugs) 2004-Up	1	TBA
638	76813K	Anti-Rattle Clip, 4R70W/75W/70E/75E (Between The Case & Int Steels & Press Plt) 04-Up	1	TBA
639	76813	Spring, AOD/AODE/4R70W Anti-Clunk (Round Type) 1980-Up	1	Teckpak
639	76813A	Spring, AOD/E/4R70/75 Anti-Clunk (Horse Shoe Type) 2004-Up	1	2L3Z-7F277-AA

### SPRAGS & ONE WAY CLUTCHES

652	76239	Sprag, AOD/AODE Intermediate (7 Roller) Tan (Can Use 76652B)	1	E0AZ-7A089-A
652	76239E	Sprag, 4R70W Intermediate (14 Roller) 1995-97	1	F7LY-7A089-AA
652	76239A	Sprag, AOD/AODE/4R70W Intermediate (7 Roller) Green 1980-97	1	TBA
652	76239F	Mechanical Diode, AOD/E/4R70/75 Intermediate (14 Inner Splines) 1998-Up	1	F8AZ-7A089-AA
654	6239G	Sprag, AOD/AOD/E/4R70/75 Rear 1980-Up	1	930681
663	76865	Outer Race, AOD/AODE/4R70W Intermediate Sprag (7 Roller) 1980-97	1	E0AZ-7F221-A
663	K76865	Outer Race Kit, AOD/AODE Interm Sprag (7 Roller) (Contains: # 663/694/874, 1980-95	1	TBA
663	76865A	Outer Race, 4R70W Intermediate Sprag (14 Roller) 1995-97	1	F3LY-7F221-A
663	K76865A	Outer Race Kit, 4R70W Int Sprag (14 Roller) (Contains: # 663/694/874) 1995-97	1	TBA

### SHAFTS, GOVERNORS & SPRAG RETAINERS

670	76811	Shaft, AOD Direct Drive 1980-93	1	E9SZ-7F208-A
670	76811A	Shaft, AOD/E/4R70/75 Direct Drive 1992-Up	1	F8AZ-7F351-AA
678	76895A	Output Shaft, AOD (16" Long) (7 Teeth Speed-O With 3 Governor Oil Holes) 1980-87	1	E8VY-7060-A
678	76895L	Output Shaft, AOD (16" Long) (7 Teeth Speed-O With 4 Governor Oil Holes) 1988-93	1	TBA
678	76895AA	Output Shaft, AODE/4R70W (16" Long) (7 Teeth Speed-O With 2 Governor Oil Holes) 1992-03	1	TBA
678	76895M	Output Shaft, AOD (16" Long) (8 Teeth Speed-O With 3 Governor Oil Holes) 1980-87	1	E0VY-7D060-A
678	76895P	Output Shaft, AOD (16" Long) (8 Teeth Speed-O With 4 Governor Oil Holes) 1988-93	1	TBA
678	76895Y	Output Shaft, AODE (16" Long) (8 Teeth Speed-O With 2 Governor Oil Holes) 1992-Up	1	TBA
678	76895N	Output Shaft, AOD (16" Long) (9 Teeth Speed-O With 3 Governor Oil Holes) 1980-87	1	E1TZ-7060-A
678	76895K	Output Shaft, AOD (16" Long) (9 Teeth Speed-O With 4 Governor Oil Holes) 1988-93	1	TBA

## AOD, AODE, 4R70, 4R75

ILL#	Part#		QTY	REF#
678.....	76895S.....	Output Shaft, AOD (15" Long) (8 Teeth Speed-O With 3 Governor Oil Holes) 1980-87.....	1.....	E8AZ-7060-A
678.....	76895J.....	Output Shaft, AOD (15" Long) (8 Teeth Speed-O With 4 Governor Oil Holes) 1988-93.....	1.....	TBA
678.....	76895JA.....	Output Shaft, AODE/4R70W (15" Long) (8T Speed-O With 2 Governor Oil Holes) 1992-03.....	1.....	TBA
678.....	76895T.....	Output Shaft, AOD (15" Long) (7 Teeth Speed-O With 3 Governor Oil Holes) 1980-87.....	1.....	E2AZ-7060-A
678.....	76895H.....	Output Shaft, AOD (15" Long) (7 Teeth Speed-O With 4 Governor Oil Holes) 1988-93.....	1.....	TBA
678.....	76895SA.....	Output Shaft, AODE/4R70W (15" Long) (7T Speed-O With 2 Governor Oil Holes) 1992-03.....	1.....	TBA
678.....	76895W.....	Output Shaft, AOD (15" Long) (9 Teeth Speed-O With 3 Governor Oil Holes) 1980-87.....	1.....	TBA
678.....	76895ZA.....	Outp Shft, 4R70W/75W/70E/75E 2WD (16" Long) (No Speed-O)(With 2 Oil Holes) 2004-Up.....	1.....	TBA
678.....	76895ZB.....	Outp Shft, 4R70W/75W/70E/75E 2WD (15") (No Speed-O W/ 2 Oil Holes) 2004-Up.....	1.....	TBA
678.....	76895V.....	Output Shaft, AOD 4x4 (11 1/2" Long) (With 3 Governor Oil Holes) 1980-87.....	1.....	TBA
678.....	76895D.....	Output Shaft, AOD 4x4 (11 1/2" Long) (With 4 Governor Oil Holes) 1988-93.....	1.....	TBA
678.....	76895E.....	Outp Shft, AODE/4R70W/75W/70E/75E 4x4 (11 1/2") (W/ 2 Gov Oil Holes) 1992-Up.....	1.....	TBA
680.....	76615A.....	Governor, AOD With Weight 1980-93.....	1.....	TBA
NI.....	T-1695.....	Tool, AOD Governor Bore Case Sleeve.....	1.....	TBA
NI.....	T1695-SL.....	Replacement Sleeve, AOD Governor Bore Case (Use With T-1695).....	1.....	TBA
NI.....	T1690-SL-E.....	Replacement Sleeve, AODE Governor Bore Case (Use With T-1695).....	1.....	TBA
681.....	AOD-HI-REV.....	High Rev Kit, AOD Governor Kit (Transgo) 1979-Up.....	1.....	TBA
681.....	76822.....	Spring, AOD Governor 1980-93.....	1.....	TBA
691.....	76030SL.....	Sleeve, AODE Output Shaft Sleeve 1993-Up.....	1.....	TBA
694.....	76554.....	Retainer, AOD Intermediate Sprag, Square Tabs (Cast Iron Drum) 1980-93.....	1.....	F3AZ-7D191-A
694.....	76554A.....	Retainer, AODE/ Intermediate Sprag, Round Tabs (Steel Drum) 1992-Up.....	1.....	TBA
874.....	K010.....	Snap Ring, AOD/E Holds Intermediate Sprag Retainer (Spiral Ring & Lock) 3ea-Superior.....	1.....	K010
874.....	K76240.....	Snap Ring, AOD/E Holds Intermediate Sprag Retainer (Spiral Ring & Lock) 3ea-Sonnax.....	1.....	76554RK
<b>VALVE BODIES (DACCO VB#)</b>				
740.....	FD-3340.....	Valve Body, AOD WITH 4th ACCUMULATOR HOLE, 1980-87.....	1.....	TBA
740.....	FD-3341.....	Valve Body, AOD WITHOUT 4th ACCUMULATOR HOLE, 1988-93.....	1.....	TBA
740.....	FD-3342.....	Valve Body, AODE, 13mm Bolt, Casting #F2, 19992.....	1.....	TBA
740.....	FD-3343.....	Valve Body, AODE / 4R70W 13mm Bolt, Casting # F3, 1-3 OHM Lock-Up, 1993-94.....	1.....	TBA
740.....	FD-3343B.....	Valve Body, AODE / 4R70W 13mm Bolt, Casting # F3, 10-15 OHM Lock-Up, 1995.....	1.....	TBA
740.....	FD-3344.....	Valve Body, 4R70W / 4R75E 10mm Bolt, Casting # F6, Softwire Harn, 1996-97.....	1.....	TBA
740.....	FD-3345.....	Valve Body, 4R70W / 4R75E W/ 2-3 Acc. Support Plate, Hardwire Harn, 1998-00.....	1.....	TBA
740.....	FD-3346.....	Valve Body, 4R70W / 4R75E W/out 2-3 Acc. Support Plate, Hardwire Harn, 2000-03.....	1.....	TBA
740.....	FD-3347.....	Valve Body, 4R75W / 4R75E W/out 2-3 Acc. Support Plate, Hardwire Harn, 2004-08.....	1.....	TBA
740.....	FD-3348.....	Valve Body, 4R75W / 4R75E W/out 2-3 Acc. Support Plate, Softwire Harn, 2009-Up.....	1.....	TBA
<b>VALVE BODIES</b>				
740.....	76948AA.....	Valve Body, AOD 1980-81.....	1.....	TBA
740.....	76948.....	Valve Body, AOD 1982-88.....	1.....	TBA
740.....	76948B.....	Valve Body, AOD 1989-93.....	1.....	TBA
740.....	76948C.....	Valve Body, AODE (Electronic) 1992 (Use 76948D).....	1.....	F2VY-7A100-A
740.....	76948D.....	Valve Body, AODE (Electronic) (.225" OD Dowel Pins) 1992-95.....	1.....	TBA
740.....	76948F.....	VB, 4R70W (Electronic) (.163" OD Dowel Pins) Uses Wire Harn (Cast # RFF6AP) 1996-97.....	1.....	TBA
740.....	76948G.....	VB, 4R70W (Electronic) (.163" OD Dowel Pins) Enclosed Circ Bd.(Cast # RFF6AP) 1998-00.....	1.....	TBA
740.....	76948H.....	VB, AOD/E/4R70/75 (W/Only 2 Round Backing Plates On Top Of Valve.....	1.....	TBA
.....	.....	Body) (Cast # RF-1L3P-7A092- AA) 2001-Up.....	.....	.....
<b>VALVE BODY COMPONENTS</b>				
741.....	76627E.....	Sleeve, VB Pilot, Converts Small Pin VB's To Large Pin.....	AR.....	F6AZ-7K720-A
741.....	K76241.....	Spring Kit, AOD Throttle Valve Buzz Fix 1980-89.....	1.....	TBA
741.....	76593.....	Check Ball, AOD/AODE Valve Body (.312" or 5/16") (Viton) 1980-Up.....	1.....	E7DZ-7E195-A
741.....	13924X.....	Check Ball, AOD/AODE/4R70W Valve Body (.250" or 1/4") (Steel) 1980-Up.....	7.....	TBA
741.....	10000-01K.....	Relief Valves, AOD (In Valve Body) (10 Per Kit) (Sonnax) 1980-93.....	1.....	10000-01K
741.....	76948-04K.....	Bypass Kit, AODE/4R70W/75W/70E/75E Bypass Clu Control Sleeve & Plunger, 1993-Up.....	1.....	Sonnax
741.....	76970.....	TV Plunger, AOD (Oversized Where Plunger Exits The VB Bore) (Req: 76970-RM) 1980-93.....	1.....	76970
741.....	76970RM.....	Reamer, AOD (TV Plunger Bore) (Bores Only Where TV Plunger Exits VB).....	1.....	76970-RM
741.....	76989-03K.....	Sleeve Kit, AOD Throttle Valve Plug & Sleeve (Factory Style) (Sonnax) 1980-93.....	1.....	76989-03K
741.....	76989K.....	Sleeve Kit, AOD Throttle Valve Plug & Sleeve (Sleeve Uses 2 O-Rings) 1980-93.....	1.....	Sonnax
741.....	76999SML.....	Plugs, AOD/AODE Valve Body End Plugs (Small) (3 Per Kit) (Sonnax) 1980-Up.....	1.....	76999-SML
741.....	76991-01K.....	Valve Kit, AOD 1-2 Capacity Mod Valve (Oversize) (1 Vlv, 2 Springs, 2-O-Rings, End Plug.....	1.....	76991-01K
741.....	76991-TL.....	Reamer & Jig, AOD (Use With 76991-01K) (1-2 Capacity Modulator Valve Kit) 1980-93.....	1.....	Sonnax
741.....	76999LRG.....	Plugs, AOD/AODE Valve Body End Plugs (Large) (3 Per Kit) (Sonnax) 1980-Up.....	1.....	76999-LRG
741.....	76593.....	Check Ball, AOD/AODE Valve Body (.312" or 5/16") (Torlon) 1980-Up.....	1.....	TBA
741.....	76948-29K.....	Boost Valve & Sleeve, AOD/E/4R70/75 OD Servo Regulator 2001-Up.....	1.....	Sonnax
741.....	76970-02K.....	TV Control Valve Kit, AOD (Oversize) (Oversized TV Valve, Spring & TV Plunger) 1980-93.....	1.....	76970-02K
741.....	76970TL.....	Reamer, AOD TV Control Valve (For 76970-02K) (Oversized Reamer With Guide) 1980-93.....	1.....	76970-TL
741.....	K073.....	Valve, AODE/4R70/75 Pressure Regulator Prevents Loss Line Press & Boost (Superior) 1992-Up.....	1.....	K073
741.....	76948-01.....	Valve, AODE Main Pressure Regulator Prevents Low Line Pressure (Sonnax) 1992-95.....	1.....	76948-01

## AOD, AODE, 4R70, 4R75

ILL#	Part#		QTY	REF#
741	76948-06	Spring, AODE Pressure Regulator (Sonnax) (5 Per Set) 1992-95	1	TBA
741	76948-09	Valve, AOD/E/4R70/75 Main Pressure Regulator 1996-Up (Sonnax)	1	76948-09
741	76948-12K	Valve & Spring Kit, AOD/E/4R70/75 (Elevated Pressure Regulator) 1996-Up	1	Sonnax
741	SCAODE	Sure Cure Kit, AODE/4R70 1992-95 (Sonnax)	1	SC-AODE
741	SCAODE-1	Sure Cure Kit, 4R70/4R75, 1996-Up (Sonnax)	1	SC-AODE-1
741	76948-16K	Valve Assy, AODE/4R70W (Pressure Regulator) 1991-95 (Contains: Oversized Pressure Valve, Oversized Reverse Boost Valve & Sleeve) (Sonnax) (Requires Reamer 76948-TL4)	1	Sonnax
741	76948-17K	Valve Assembly, AOD/E/4R70/75 (Pressure Regulator) 1996-Up (Contains: Oversized PR Valve, Oversized Reverse Boost Valve & Sleeve) (Requires: 76948-TL4)	1	Sonnax
741	76948-TL4	Oversize Reamer, For 76948-16K & 76948-17K (Sonnax)	1	Sonnax
741	K026	Boost Valve & Sleeve, AOD/E/4R70/75 (Steel Valve & Sleeve) 1992-Up	1	Superior
741	76948-02K	Boost Valve & Sleeve, AODE/70W/75W/70E (Press Reg Prevents Poor Rev Boost) 92-Up	1	76948-02K
741	K025	Boost Valve & Sleeve, AOD Reverse (Superior) 1980-91	1	K025
741	76999MED	Plugs, AOD/AODE Valve Body End Plugs (Medium) (3 Per Kit) (Sonnax) 1980-Up	1	76999-MED
741	76999-04K	End Plug Kit, AOD/AODE Valve Body (3 Medium, 1 Small Plug & 8 Small O-Rings) 1980-E83	1	76999-04K
741	76999-05K	Shift Valve & Sleeve Assembly, AODE 3/4 Shift With End Plugs (Sonnax)	1	76999-05K
741	76948-14K	Solenoid Regulator Valve Kit, AOD/E/4R70/75 (Contains: Valve, Spring, End Plug & O-Rings) (76948-BST2 Bore Size Tool Recommended Not Required) (Sonnax)	1	76948-14K
741	76990-03K	Boost Valve Kit, AOD Pressure Regulator (Factory Style) 1980-93 (Sonnax)	1	Sonnax
741	76990-04K	Boost Valve Kit, AOD Pressure Regulator (With O-Rings) (High/Large Ratio) 1980-93	1	Sonnax
741	76990K	Boost Valve Kit, AOD Press Reg (W/ O-Rings For Sleeve) OE Ratio) 1980-93	1	76990K
741	13924	Check Ball, AOD/AODE/E/4R70/75 Valve Body (.250") (Viton)	1	TBA
741	RK76948	Plate, AODE Holds VB Plate On(W/Bolts) (OE Fix For Damaged Fwd Clutches) 1992-94	1	F4AZ-7F282-A
747	K092	VB Plate, 4R70/75, Prevents Cracking & Cross Leaks Caused By 2-3 Accum Piston Spring Retainer. Extra Thick, Zinc Coated. "Super Tuff", L2000-Up (Superior)	1	K092
747	76507F-01K	Plate, Valve Body Retainer, 4R70/4R75 (Plate, Gasket, 2-Bolts) Prevents Cross Leaks, L2000-Up	1	Sonnax
843	76894	Bracket, AODE/4R70W EPC Solenoid 1992	1	TBA
843	76894A	Bracket, AODE/4R70W EPC Solenoid 1992-97	1	F3AZ-7H111-A
843	76894B	Bracket, AODE/4R70W EPC Solenoid 1998-Up	1	F6AZ-7H111-A

### CASES, PANS & HOUSINGS & CASE COMPONENTS

760	76890	Case, AOD (Small 11/16" Cooler Line Fittings) (Cast # E0) 1980-82	1	TBA
760	76890A	Case, AOD (Large 3/4" Cooler Line Fittings) (Cast # E3 Or RFEP) 1983-88	1	TBA
760	76890AA	Case, AOD (Cast # E9) 1989-93	1	TBA
760	76890B	Case, 4R70W (2-Bolt Starter) (Cast # F4SP) (.225" OD Valve Body Dowel Pins) 1994-96	1	TBA
760	76890C	Case, AODE (3-Bolt Starter) (Cast # F2VP) 1992-93	1	TBA
760	76890CA	Case, AODE/4R70W (3-Bolt Starter) (Cast # F4AP) 1994-96	1	TBA
760	76890E	Case, AODE/4R70W (3-Bolt Starter) (Cast # F7AP) 1997-03	1	TBA
760	76890D	Case, 4R70W (2-Bolt Starter) (Cast # F7SP) 1997-03	1	TBA
760	76890KA	Case, 4R70W/4R75W (2-Bolt Starter) 2004-08	1	TBA
760	76890KB	Case, 4R75W/4R75W (3-Bolt Starter) 2004-08	1	TBA
760	76890WA	Case, 4R75W (3-Bolt Starter) 2009-Up	1	TBA
761	56361-01K	Sleeve, AOD/AODE/4R70W Shift Linkage Shaft (With 1 Sleeve, 1 3mm Pin & 1 .125" Pin)	1	TBA
761	56361-TL	Tool Kit, AOD/AODE/4R70W For 56361-01K	1	56361-TL
761	T76821	Alignment Pin Adapters, 4R70W Valve Body To Case (Allows The Use Of Late VB's)	1	Teckpak
761	SERVO-FIX	Servo Pin Bore Reaming Fixture, AOD/AOD/E/4R70/75 (Sonnax)	1	TBA
761	TK-56RTD	Tool Kit, AOD/AODE/4R70W Shift Linkage Pin Remover & Installer (Teckpak)	1	TBA
765	76801	Pan, AOD 2WD 1980-93	1	TBA
765	76801B	Pan, AOD 4WD 1980-93	1	TBA
765	76801A	Pan, AODE/4R70W 2WD 1992-95	1	TBA
765	76801C	Pan, AODE/4R70W 4WD 1992-95	1	TBA
765	76801D	Pan, 4R70W 4WD (Bonded Gasket Type) 1996-Up	1	TBA
765	76801E	Pan, 4R70W 2WD (Bonded Gasket Type) 1996-Up	1	TBA
770	76892	Extension Housing, AOD/AODE 2WD (10-1/2") Small Seal 1980-93	1	TBA
770	76893	Extension Housing, AOD/AODE 2WD (11-1/2") Small Seal 1980-93	1	TBA
770	76893A	Ext Hsg, AOD/E 4x4 (6-3/8") Alum W/2-Threaded Shifter Boss	1	TBA
770	76893AB	Ext Hsg, AOD/E 4x4 (6-3/8") Aluminum W/1-Threaded Shifter Boss	1	TBA
770	76893B	Ext Hsg, AODE/4R70W 2WD (10-1/2" Long) Large Seal (With Speed-O Hole) 1993-03	1	TBA
770	76893C	Extension Housing, AODE/4R70W 2WD (11-1/2") Large Seal 1993-03	1	TBA
770	76893K	Extension Housing, 4R75W 2WD (10-1/2") (No Speed-O Hole) 2004-08	1	TBA
770	76893KA	Extension Housing, 4R75W 2WD (11-1/2") (No Speed-O Hole) 2004-08	1	TBA
770	76893L	Extension Housing, 4R75W 2WD 2009-Up	1	TBA
774	76896A	Housing, AOD Driven Speed-O (Cable Driven) 1980-93	1	TBA
774	76896B	Housing, AODE/4R70W Driven Speed-O (Electric) 1992-03	1	TBA
774	76896C	Speed-O Housing, AOD/AODE With Sensor (2 Pin Connector) (Uses A Cable)	1	TBA
839	31866	Pan Magnet, AOD/AODE/4R70W Rectangular	1	TBA
839	31866A	Pan Magnet, AOD/AODE/4R70W Round	1	TBA
843	76894A	Bracket, AODE/4R70W EPC Solenoid 1992-97	1	F3AZ-7H111-A

## AOD, AODE, 4R70, 4R75

ILL#	Part#		QTY	REF#
843.....	76894B.....	Bracket, AOD/E/4R70/75 EPC Solenoid 1998-Up.....	1.....	TBA
848.....	76622.....	Gear, AOD Speed-O Driven.....	1.....	TBA
848.....	76622A.....	Gear, Speed-O Driven 18T, Gold.....	1.....	TBA
848.....	76622B.....	Gear, Speed-O Driven 19T, Pink.....	1.....	TBA
848.....	76622C.....	Gear, Speed-O Driven 20T, Black.....	1.....	TBA
849.....	76625.....	Clip, Speed-O Driven Gear.....	1.....	TBA
853.....	76812.....	Cushion, AOD Forward Clutch, Waved (For Cast Iron Drum) 1980-93.....	1.....	DOAZ-7E085-A
853.....	76812A.....	Cushion, AOD/E/ Forward Clutch (.034") Steel Drum, L1989-95.....	1.....	FOSZ-7E085-A
853.....	76812C.....	Cushion, AOD/E/ Forward Clutch (.083") Steel Drum, L1989-95.....	1.....	TBA
853.....	76812B.....	Cushion, 4R70W/4R75W Fwd Clutch, Waved (.075") Steel Drum, 1996-Up.....	1.....	F6AZ-7E085-A
<b>SNAP RINGS</b>				
NI.....	K76928A.....	Snap Ring Kit, AOD/AOD/E/4R70/75(Includes Interm Retainer) 1980-Up.....	1.....	46980HP
874.....	76554R.....	Snap Ring, AOD/E Holds Intermediate Sprag Retainer, 1980-Up.....	1.....	391267-S
874.....	K010.....	Snap Ring, AOD/E Holds Intermediate Sprag Retainer (Spiral Ring & Lock) 3ea-Superior.....	1.....	K010
874.....	K76240.....	Snap Ring, AOD/E Holds Intermediate Sprag Retainer (Spiral Ring & Lock) 3ea-Sonnax.....	1.....	76554RK
876.....	76600.....	Snap Ring, AOD/AODE/4R70/4R75 Forward & Reverse Clutch (.062") 1980-Up.....	1.....	C8AZ-7D483-C
876.....	76600A.....	Snap Ring, AOD/AODE/4R70/4R75 Forward & Reverse Clutch (.076") 1980-Up.....	1.....	C7AZ-7D483-A
876.....	76600D.....	Snap Ring, AOD/AODE/4R70/4R75 Forward & Reverse Clutch (.084") 1980-Up.....	1.....	TBA
876.....	76600B.....	Snap Ring, AOD/AODE/4R70/4R75 Forward & Reverse Clutch (.090") 1980-Up.....	1.....	C8AZ-7D483-C
876.....	76600C.....	Snap Ring, AOD/AODE/4R70/4R75 Forward & Reverse Clutch (.104") 1980-Up.....	1.....	C8AZ-7D483-A
877.....	76602.....	Snap Ring, AOD/E/4R70/75 Holds Fwd CI Retainer In Drum, 1980-Up.....	1.....	388099-S
878.....	76601.....	Snap Ring, AOD/E/4R70/75 Direct Clutch (.052") 1992-Up.....	1.....	F3AZ-7D483-A
878.....	76601A.....	Snap Ring, AOD/E/4R70/75 Direct Clutch (.066") 1992-Up.....	1.....	F3AZ-7D483-B
878.....	76601B.....	Snap Ring, AOD/E/4R70/75 Direct Clutch (.080") 1992-Up.....	1.....	F3AZ-7D483-C
878.....	76601C.....	Snap Ring, AOD/E/4R70/75 Direct Clutch (.094") 1992-Up.....	1.....	F3AZ-7D483-D
879.....	76609.....	Snap Ring, AOD/E/4R70/75 Holds Direct Retainer In Drum 1980-Up.....	1.....	388104-S2
880.....	76811-01K.....	Retaining Ring, AOD (Shaft To Dir Drum) (5 Per Kit)(Keeps Direct Shaft Off Output Shaft).....	1.....	76811-01K
883.....	76603.....	Snap Ring, AOD/AODE/4R70W Holds Center Supp To Case (2 Hooks At Each End) 1980-02.....	1.....	388501-S
883.....	76603A.....	Snap Ring, 4R70W/75W/70E/75E Holds Center Supp To Case (1 Hook At The End) 2003-Up.....	1.....	TBA
889.....	76610.....	Snap Ring, AOD Holds Ring Gear Hub (Flat) 1980-93.....	1.....	TBA
889.....	76610A.....	Snap Ring, AODE/4R70W/4R75W/4R70E Holds Ring Gr To Hub (.060" Thk) (Wavy) 1992-Up.....	1.....	TBA
893.....	76611.....	Snap Ring, AOD/AOD/E/4R70/75 Holds Rev CI Return Spring In, 1980-Up.....	1.....	E0AZ-7A577-A
894.....	76616.....	Snap Ring, AOD/AODE/4R70W Holds Ring Gear Hub To Output Shaft(.062" Thk, 1.950" OD).....	1.....	97713-S
895.....	76617.....	Snap Ring, AODE/4R70W/4R75W/4R70E/4R75W Holds # 691 Sleeve To Output Shaft 1992-Up.....	1.....	TBA
896.....	76618.....	Snap Ring, AOD Holds Reverse Servo In Case 1980-93.....	1.....	38815-S
896.....	76618A.....	Snap Ring, AOD/E/4R70/75 Holds Reverse Servo In Case 1992-Up.....	1.....	TBA
897.....	76614A.....	Snap Ring, AOD Holds Overdrive Servo In Case 1980-93.....	1.....	388216-S
897.....	76614E.....	Snap Ring, AOD/E/4R70/75 Holds Overdrive Servo In Case 1992-Up.....	1.....	F2VY-7384-B
898.....	76619.....	Snap Ring, AOD Holds 2-3 Accumulator In Case 1980-93.....	1.....	97631-S
898.....	76619A.....	Snap Ring, AODE/4R70W Holds 2-3 & 1-2 Accum In Case (.077" Thk, 2.230" OD) 1992-Up.....	2.....	F2VY-7384-A
899.....	76620.....	Snap Ring, AOD Holds 3-4 Accumulator In Case 1980-93.....	1.....	97626-S
<b>PISTONS, SPRINGS &amp; MISCELLANEOUS</b>				
900.....	K76831C.....	Servo Assembly, AOD Overdrive (V-8 302) (W/Letter C) 1980-93.....	1.....	E0AZ-7F200-B
900.....	K76830.....	Servo Assembly, AOD Overdrive (V-8 351) (W/Letter B) 1980-93.....	1.....	TBA
900.....	K76831.....	Servo Assembly, AOD Overdrive (V-6) 1980-93 (W/Letter A).....	1.....	TBA
900.....	K76832.....	Servo Assembly, AODE/4R70W Overdrive Servo (2.680" OD) (Bonded) 1992-03.....	1.....	TBA
900.....	K76832A.....	Servo Assembly, AODE/4R70W Overdrive Servo (2.500" OD) (Bonded) 1993-98.....	1.....	TBA
900.....	K76832K.....	Servo Assy, AOD/E/4R70/75 Overdrive Servo (2.725" OD) (Bonded) 2004-Up.....	1.....	TBA
901.....	76831-SP.....	Spring, AOD Overdrive Servo "A" Sonnax 1980-93.....	1.....	TBA
901.....	76281AA.....	Spring, AOD Overdrive Servo (Green) 1980-93.....	1.....	TBA
901.....	76281AB.....	Spring, AOD Overdrive Servo (White) 1980-93.....	1.....	TBA
901.....	76281AC.....	Spring, AODE Overdrive Servo 1992.....	1.....	TBA
901.....	76281AD.....	Spring, AODE/4R70W Overdrive Servo (Yellow) (2.080" Long) 1993-03.....	1.....	F2VY-7F201-A
901.....	76281KA.....	Spring, AOD/E/4R70/75 Overdrive Servo (Green) (2.235" Long) 2004-Up.....	1.....	TBA
902.....	76831A.....	Piston, AOD Overdrive Servo (V-8 302) (Stamped "C") (2.183" OD) 1980-93.....	1.....	E0AZ-7F200-A
902.....	76830.....	Piston, AOD Overdrive Servo (V-8 351) (Stamped "B") (2.490" OD) 1980-93.....	1.....	E0AZ-7F200-B
902.....	76831.....	Piston, AOD Overdrive Servo (V-6) (Stamped "A") (2.675" OD) 1980-93.....	1.....	E9SZ-7F200-A
902.....	76832.....	Piston, AODE/4R70W Overdrive Servo (Bonded) Large OD 2.680", 1992-Up.....	1.....	F2VY-7H188-A
902.....	76832A.....	Piston, AODE/4R70W Overdrive Servo (Bonded) Small OD W/ Sleeve 2.50", 1993-98.....	1.....	F7AZ-7H188-AA
902.....	76832K.....	Piston, AODE/4R70W Overdrive Servo (Bonded) 2.725" OD.....	1.....	TBA
902.....	K76840.....	Piston Kit, AOD Overdrive Servo (Superior Super Servo) (2.874" OD) 1980-93.....	1.....	K011
902.....	K085.....	Piston Kit, AODE/4R70W Overdrive Servo (Superior Super Servo) 1992-Up.....	1.....	K085
903.....	76833.....	Pin, AOD Overdrive Servo (1 Pin, 2 O-Rings, 1 Washer) 1980-93 (Sonnax).....	1.....	76833
903.....	76833E.....	Pin, AODE/4R70/75 Overdrive Servo (1 Pin, 2 O-Rings, 1 Washer) 1992-Up (Sonnax).....	1.....	76833E
903.....	K102.....	Pin, AODE/4R70/75 Overdrive Servo, Takes Up "Slop" In OD Band (1-Pin & Jimmy Clip) (Superior).....	1.....	K102
904.....	76834AA.....	Cover, AOD Overdrive Servo (V-8 302) 1980-93.....	1.....	TBA

## AOD, AODE, 4R70, 4R75

ILL#	Part#		QTY	REF#
904	76834AB	Cover, AOD Overdrive Servo (V-8 351) 1980-93	1	E0AZ-7D027-D
904	76834AC	Cover, AOD Overdrive Servo (V-6) 1980-93	1	TBA
904	76832SL	Sleeve, AODE/4R70E Overdrive Servo (2.680" ID) 1992-03	1	TBA
904	76832ASL	Sleeve, AODE/4R70W Overdrive Servo (2.500" ID) 1993-98	1	TBA
904	76832KSL	Sleeve, AOD/E/4R70/75 Overdrive Servo (2.725" ID) 2004-Up	1	TBA
910	K76528A	Piston Assy, AOD/E/4R70/75 Reverse Servo (1 Groove) 1980-Up	1	TBA
910	K76528B	Piston Assy, AOD/E/4R70/75 Reverse Servo (2 Groove) 1980-Up	1	TBA
910	K76528C	Piston Assy, AOD/E/4R70/75 Reverse Servo (3 Groove) 1980-Up	1	TBA
911	76282AA	Spring, AOD/E/4R70/75 Reverse Servo 1980-Up	1	E0AZ-7D031-B
912	76528A	Piston, AOD/E/4R70/75 Reverse Servo (1 Groove) 1980-Up	1	E0AZ-7D189-A
912	76528B	Piston, AOD/E/4R70/75 Reverse Servo (2 Groove) 1980-Up	1	E0AZ-7D189-B
912	76528C	Piston, AOD/E/4R70/75 Reverse Servo (3 Groove) 1980-Up	1	E0AZ-7D189-C
914	76885	Cover, AOD/E/4R70/75 Reverse Servo 1980-Up	1	E0AZ-7D036-A
925	K76838	Accumulator Assembly, AODE 1-2 Accumulator 1992-Up (O-Ring Type) 1992-95	1	TBA
925	K76838A	Accumulator Assembly, AODE/4R70W 1-2 Accumulator (Bonded Rubber) 1994-03	1	TBA
925	76890-01K	Sleeve Kit, AODE 1-2 Accum (Piston, Sleeves, Cover & O-Rings) 1992-Up	1	76890-01K
925	76890-TL	Installation Tool For 76890-01K, Recommended	1	76890-TL
925	K76838C	Accum Assy, 4R70W/75W/70E/75E 1-2 Accum (Bonded Rubber) W/3-Springs, 2004-	1	TBA
926	76924A	Spring, AODE 1-2 Accumulator (Pink) 1992-95	1	TBA
926	76821	Spring, AODE 1-2 Accumulator (White) 1992-95	1	F7AZ-7F284-AA
926	76821A	Spring, AODE 1-2 Accumulator (Green) 1992-95	1	TBA
926	76821B	Spring, AOD/E/4R70/75 1-2 Accumulator (Violet) 1992-Up	1	TBA
926	76924	Spring, AOD/E/4R70/75 1-2 Accum (Purple) (Hi Perf) 1992-Up	1	F3LY-7F284-A
926	76821C	Spring, AOD/E/4R70/75 1-2 Accumulator (Yellow) 1995-Up	1	TBA
926	76821K	Spring, AOD/E/4R70/75 1-2 Accumulator (Blue) 2004-Up (Inner Spring)	1	TBA
926	76948-08	Spring Set, AOD 1-2 Accumulator (Medium) (10 Per Pack) 1980-93 (Sonmax)	1	76948-08
927	76838	Piston, AODE 1-2 Accumulator 1992-95 (Aluminum, O-Ring Type)	1	TBA
927	76838A	Piston, AOD/E/4R70/75 1-2 Accumulator (Bonded Rubber) 1994-Up	1	F7AZ-7F251-AA
929	76839	Cover, AOD/E/4R70/75 1-2 Accumulator (Bonded Rubber) 1994-Up	1	F4AZ-7F247-A
930	K76998	Accumulator Assembly, AOD 2-3 Accumulator 1980-93	1	TBA
930	K76998A	Accumulator Assembly, AODE/4R70W 2-3 Accumulator 1992-96	1	TBA
930	K76998B	Accumulator Assembly, 4R70W 2-3 Accumulator 1997-00 (Bonded Rubber) Overall Height Of	1	TBA
930	K76998C	Accum Assembly, 4R70W/4R75W 2-3 Accum(Bonded Rubber) Cover Height .586", 2001-Up	1	TBA
931	76715	Spring, 2-3 Accum, AOD/AODE/4R70W, No Coil Bind, (3ea) Superior, 1980-Up	1	K075
931	76715A	Spring, AOD/E/4R70/75 2-3 Accumulator 2004-Up (1.745" Long)	1	1L3Z-7F285-AA
932	76836A	Piston, 2-3 Accum, AODE/4R70W/E/4R75W/E (Steel/Bonded Rubber) 1980-Up	1	F7AZ-7H292-AB
932	76890-21K	Piston Kit, AOD/AODE/4R70W 2-3 Accum 1980-96 (Contains: 2 Sleeves, 1-Piston, 2-D-rings)	1	Sonnax
932	76836HD	Piston, AODE/4R70W 2-3 Accum. Plastic (Southeast) 1980-Up	1	76836HD
934	76836CA	Cover, AOD 2-3 Accumulator 1980-93	1	E0AZ-7B264-A
934	76836CB	Cover, AODE/4R70W 2-3 Accumulator 1992-96	1	F2AZ-7B264-A
934	76836CC	Cover, 4R70W 2-3 Accumulator (.496" Overall Height) 1997-00	1	TBA
934	76836CD	Cover, AOD/E/4R70/75 2-3 Accumulator (.585" Overall Height) 2001-Up	1	TBA
935	K76998AA	Accumulator Assembly, AOD 3-4 Accumulator 1980-81	1	TBA
935	K76998AB	Accumulator Assembly, AOD 3-4 Accumulator 1982-88	1	TBA
935	K76998AC	Accumulator Assembly, AOD 3-4 Accumulator 1989-93	1	E0AZ-7F288-A
936	76282AA	Spring, AOD 3-4 Accumulator 1980-88	1	E0AZ-7F285-A
936	76282AB	Spring, AOD 3-4 Accumulator 1989-93	1	F3LY-7F284-A
937	76837	Piston, AOD 3-4 Accumulator Letter "A" 1980-81	1	E0AZ-7F287-A
937	76837A	Piston, AOD 3-4 Accumulator Letter "B" 1982-88	1	E2AZ-7F287-A
937	76837B	Piston, AOD 3-4 Accumulator 1989-93	1	E2AZ-7F287-A
939	76837CA	Cover, AOD 3-4 Accumulator 1980-81	1	E0AZ-7F247-A
939	76837CB	Cover, AOD 3-4 Accumulator 1982-88	1	E2AZ-7F247-A
939	76837CC	Cover, AOD 3-4 Accumulator 1989-93	1	TBA
962	76855AA	Piston, AOD/AODE/4R70W Intermediate Clutch (Aluminum) 1980-03	1	F2AZ-7E005-A
962	76855	Piston, AOD/E/4R70/75 Intermediate Clutch (Bonded) 2004-Up	1	3L3Z-7E005-AA
964	76803	Piston, AOD Forward Clutch (W/Cast Iron Drum) 1980-93	1	E0AZ-7A262-A
964	76803A	Piston, AOD/E/4R70/75 Fwd Clu (W/Stamped Steel Drum) 1989-Up	1	TBA
965	76804	Piston, AOD Dir Cl (Cast Iron Drum) (No Metal Check Ball Retainer) 80-93	1	TBA
965	76804B	Piston, AOD Direct Clutch (Cast Iron Drum) (Has Metal Check Ball Retainer) 1980-93	1	TBA
965	76804A	Piston, AOD/AODE/4R70/75 Direct Cl (Stamped Steel Drum) 1989-Up	1	F2YV-7A262-A
966	76762AA	Piston, AOD Reverse Clutch 1980-93	1	E0AZ-7D402-A
966	76762AB	Piston, AOD/E/4R70/75 Reverse Clutch 1992-Up	1	F2TZ-7D402-A
972	76554BA	Retainer With Springs, AOD Intermediate Clutch 1980-93	1	E0AZ-7F222-A
972	76554BB	Retainer With Springs, AODE/4R70W Intermediate Clutch 1992-03	1	TBA
972	76554BC	Retainer, 4R75W Intermediate Clutch Spring (Coil Spring Type) 2004-Up	1	TBA
972	76554BD	Retainer, 4R75W Intermediate Clutch Spring (Waved Spring Type) 2004-Up	1	TBA
974	76283A	Spring, AOD/AODE/4R70/75 Forward Clutch Return 1980-Up	1	E0AZ-7A480-A
975	76207	Retainer With Springs, AOD/AODE/4R70/4R75 Direct Clu Return, 1980-Up	1	E5AZ-7F235-A

## AOD, AODE, 4R70, 4R75

ILL#	Part#		QTY	REF#
976-1	76171	Apply Ring, AOD/AODE/4R70/4R75 Reverse Clutch Piston 1980-Up	1	TBA
976	76406	Spring, AOD/AODE/4R70/4R75 Reverse Clutch Return 1980-Up	1	E0AZ-7B070-A
982	76208A	Return Spring, 4R70W/4R75W Int Cl (Waved) .085" Thick, 7-3/4" OD) 2004-Up	1	TBA
984	76209A	Retainer, AOD/AOD/E/4R70/75 Forward Clutch Spring 1980-Up	1	E0AZ-7A527-A
991	K76623	Linkage Assembly, AOD Internal 1980-93	1	TBA
991	K76623A	Linkage Assembly, AOD/E/4R70/75 Internal 1992-Up	1	TBA
991	TK-56RTD	Tool Kit, AOD/AODE/4R70W Shift Linkage Pin Remover & Installer (Teckpak)	1	TBA
992	76624	Shift Lever, AOD/AODE External (Cast # E4ZP-AA) 1983-93	1	E4ZZ-7A256-A
992	76624A	Shift Lever, AOD External (Cast # E0AP) 1980-93	1	E0AZ-7A256-A
992	76624B	Shift Lever, AOD External (Cast # E0WP-BB) 1980-93	1	E0WY-7A256-A
992	76624C	Shift Lever, AOD External (Cast # E1TP-AA) 1981-93	1	E1TZ-7A256-A
992	76624CA	Shift Lever, AOD External (Cast # E4LP-AB) 1984-93	1	TBA
992	76624D	Shift Lever, AOD External (Cast # E9SP-BA) 1989-93	1	E9SZ-7A256-A
992	76624DA	Shift Lever, AOD External (Cast # F0AP-AA) 1990-93	1	TBA
992	76624E	Shift Lever, AOD External (Cast # F2UP) 1992-93	1	F2UZ-7A256-A
992	76624F	Shift Lever, AODE/4R70/4R75, External (Cast # F4SP-AA) 1992-Up	1	TBA
992	76624G	Shift Lever, AODE/4R70/4R75 External (Cast # F4AP-AA) 1992-Up	1	TBA
992	76624H	Shift Lever, 4R70/4R75 External (Cast # F7SP) 1992-Up	1	TBA
992	76624J	Shift Lever, 4R70/4R75 External (Cast # F7AP-AA) 1992-Up	1	TBA
995	K76824	Park Pawl Assembly, AOD 1980-E84	1	TBA
995	K76824A	Park Pawl Assembly, AOD/AOD/E/4R70/75 L 1984-Up	1	TBA
996	K31289	Fitting, AOD/AODE/4R70W Cooler (Screw In) (1/4" Pipe Thread) Pipe Thread Screws In To Case (For A 5/16" Push-In Cooler Line)	1	FS-190
996	K31292	Fitting, AODE/4R70W Cooler Line (Push-In) (1/4" Pipe Thread, 5/16" Line) Metal Clip Type	1	FS-210
996	31289C	Clip, AODE/4R70W Cooler Line Retainer (Metal) (For K31292)(Teckpak)	1	FS210-CLIP
996	96289	Fitting, AOD/AODE/4R70W Cooler (16.5mm Thread Screw-In To Case) (For A 3/8" Screw-In Cooler Line) (Uses A 22mm Wrench)	1	96289
996	K56289	Fitting, AOD/AODE/4R70W Cooler (16.5mm Thread Screw-In Thread Screws In To The Case) For A 5/16" Push-In Cooler Line	1	FS-200