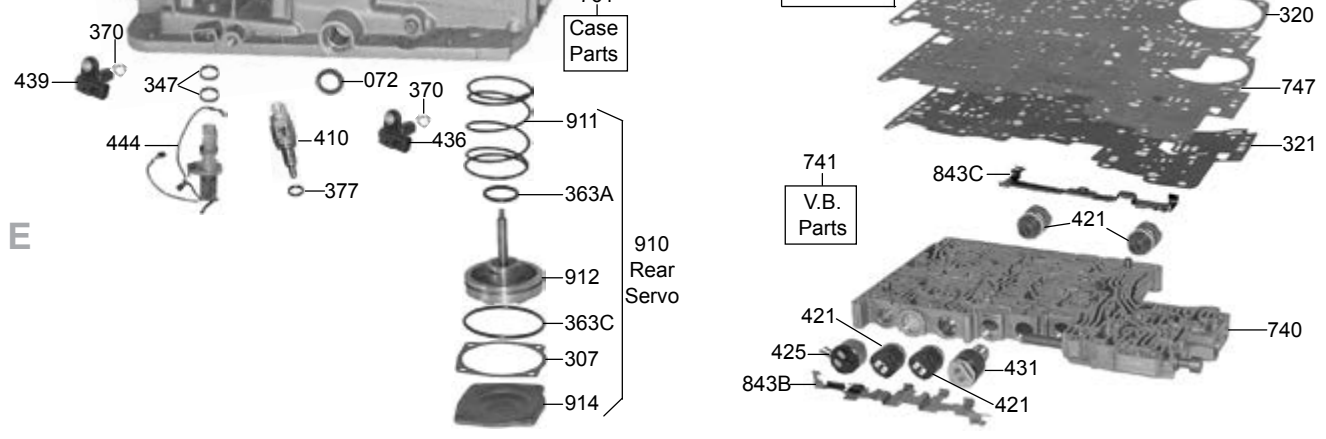
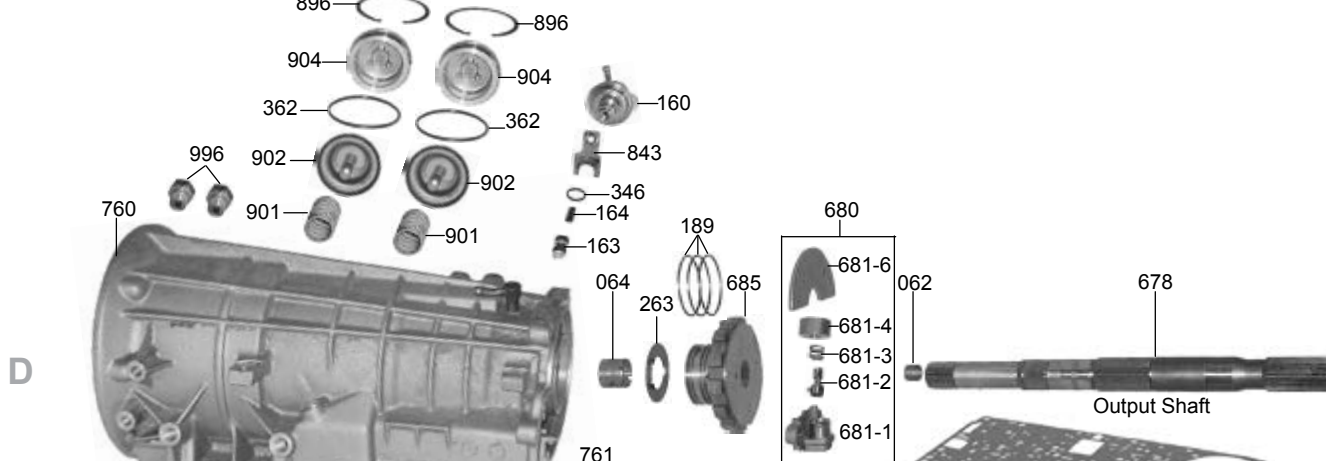
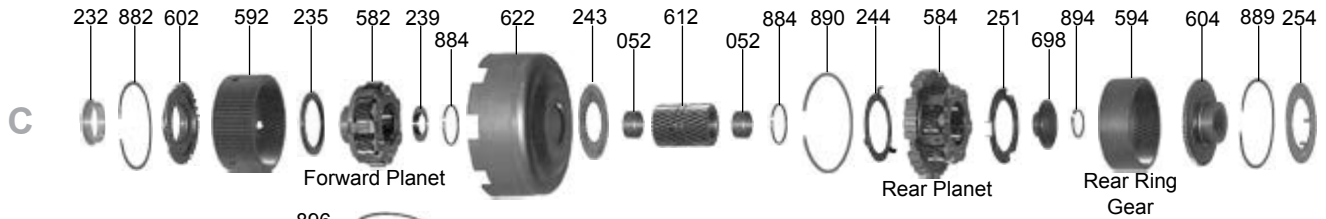
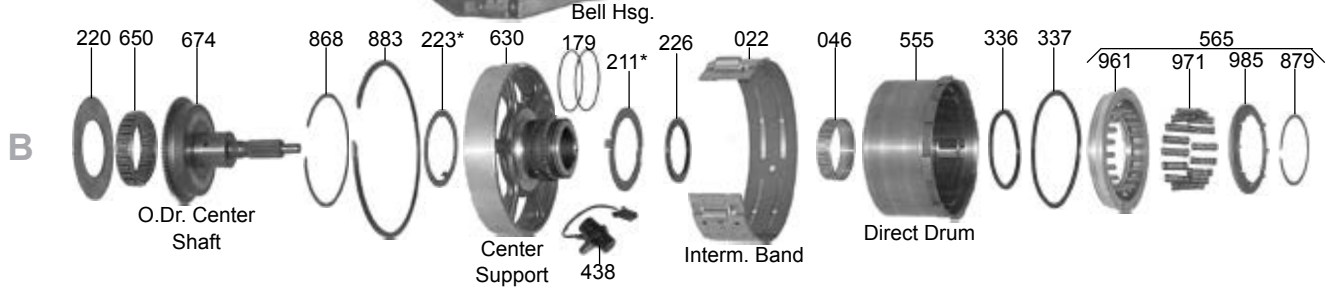
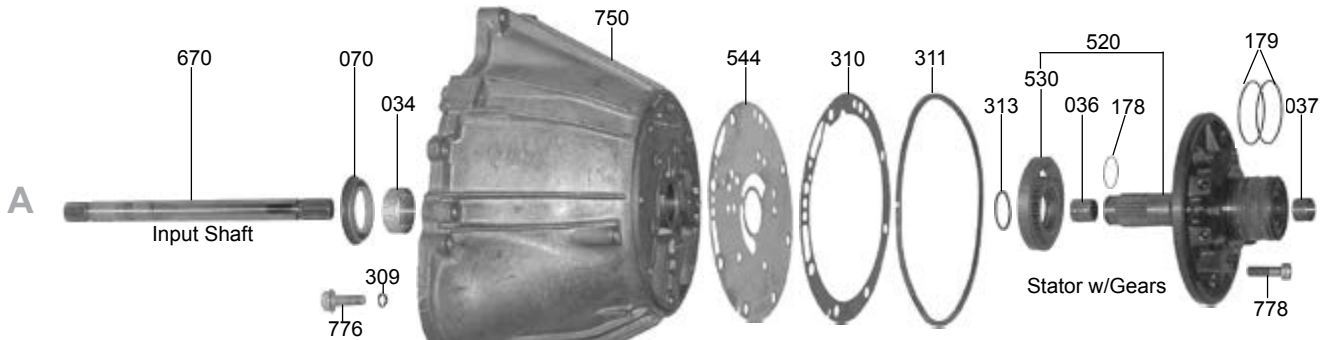
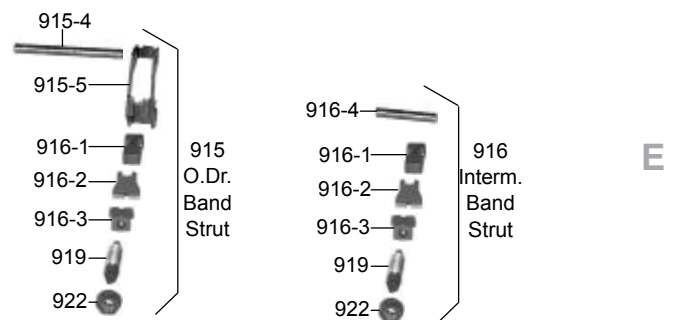
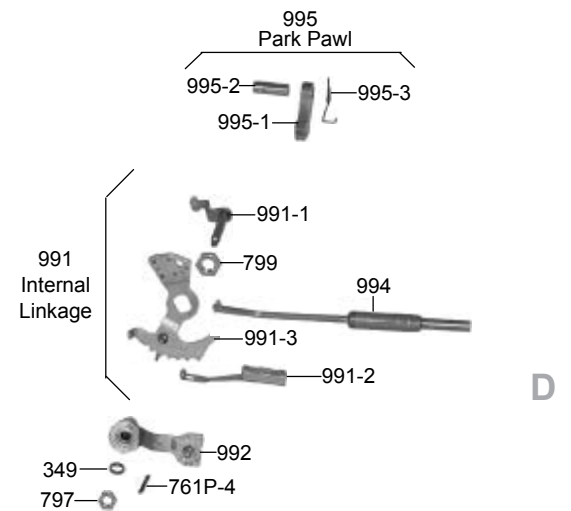
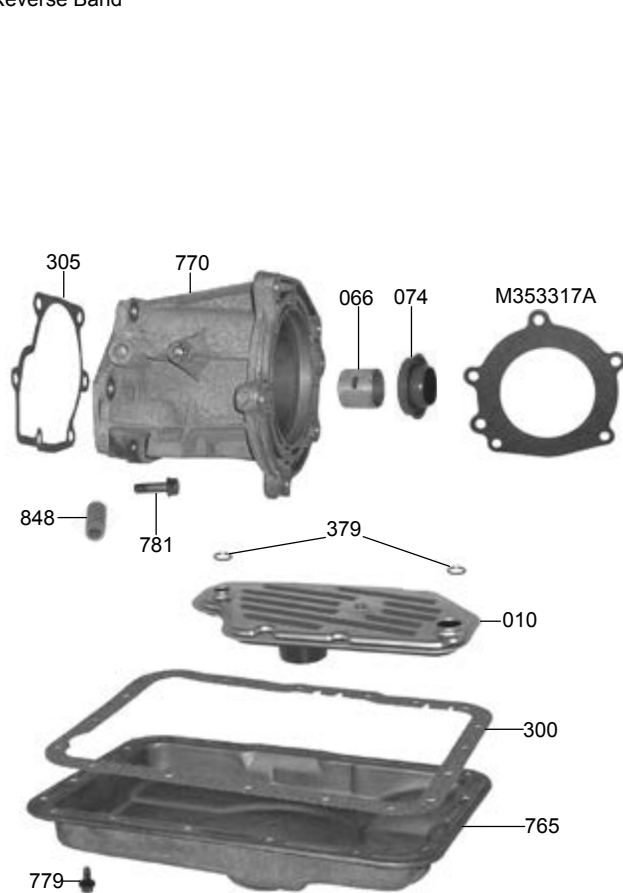
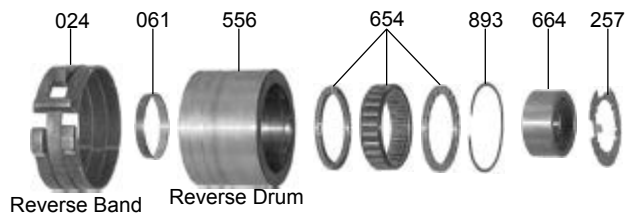
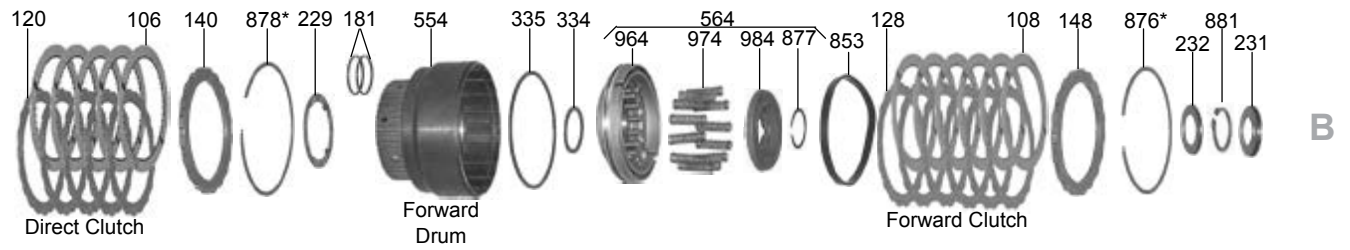
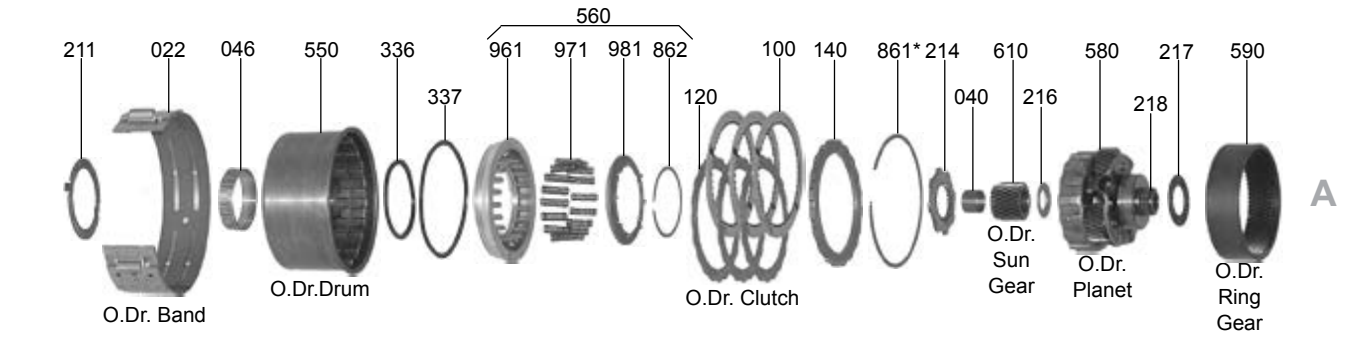


## A4LD, 4R44E, 4R55E, 5R44E, 5R55E



## A4LD, 4R44E, 4R55E, 5R44E, 5R55E



A

B

C

D

E

FORD

## C-3, A4LD, 4R44E, 4R55E, 5R44E, 5R55E

ILL#	Part#		QTY	REF#
<b>OVERHAUL KITS</b>				
NI.....	K56900.....	Overhaul Kit, C-3 1974-87.....	1.....	N/A
NI.....	K56900C.....	Overhaul Kit, A4LD Combo 1985-96.....	1.....	N/A
NI.....	K56900G.....	Overhaul Kit, 4R44E/4R55E 1995-96.....	1.....	N/A
NI.....	K56900H.....	Overhaul Kit, 4R44E/4R55E/5R55E 1997-Up.....	1.....	N/A
<b>MASTER L/STEEL KITS</b>				
NI.....	DK5600S.....	Master L/Steels Kit, C-3 1974-87.....	1.....	N/A
NI.....	DK5600CS.....	Master L/Steels Kit, A4LD 1985-89.....	1.....	N/A
NI.....	DK5600FS.....	Master L/Steels Kit, A4LD 1990-Up.....	1.....	N/A
NI.....	DK5600GS.....	Master L/Steels Kit, 4R44E/4R55E 1995-96.....	1.....	N/A
NI.....	DK5600HS.....	Master L/Steels Kit, 4R44E/4R55E/5R55E 1997-Up.....	1.....	N/A
<b>MASTER W/STEELS KITS</b>				
NI.....	DK5600A.....	Master W/Steels Kit, C-3 1974-E78.....	1.....	N/A
NI.....	DK5600B.....	Master W/Steels Kit, C-3 L1978-87.....	1.....	N/A
NI.....	DK5600C.....	Master W/Steels Kit, A4LD 1985-89.....	1.....	N/A
NI.....	DK5600F.....	Master W/Steels Kit, A4LD 1990-Up.....	1.....	N/A
NI.....	DK5600G.....	Master W/Steels Kit, 4R44E/4R55E 1995-96.....	1.....	N/A
NI.....	DK5600H.....	Master W/Steels Kit, 4R44E/4R55E/5R55E 1997-Up.....	1.....	N/A
<b>FILTERS</b>				
010.....	56422.....	Filter, C-3 1974-87.....	1.....	D4AZ-7A098-A
010.....	56710.....	Filter, A4LD 2WD (OE Style) 1985.....	1.....	TBA
010.....	56710D.....	Filter, A4LD 4x4 (OE Style) 1985.....	1.....	TBA
010.....	56710A.....	Filter, A4LD 2WD 1986-88.....	1.....	E6TZ-7A098-B
010.....	56710G.....	Filter, A4LD 2WD 1989-96.....	1.....	TBA
010.....	56710H.....	Filter, A4LD 4x4 1986-96.....	1.....	TBA
010.....	56710H.....	Filter, 4R44E/4R55E/5R55E 4x4 (Zero Leak) 1995-Up.....	1.....	E6TZ-7A098-A
010.....	56710G.....	Filter, 4R44E/4R55E/5R55E 2WD (Zero Leak) 1995-Up.....	1.....	E9TZ-7A098-C
016.....	56712.....	Screen, A4LD TCC Solenoid.....	1.....	E8TZ-7N113-B
NI.....	56713.....	Screen, A4LD Governor Filter.....	1.....	TBA
<b>BANDS</b>				
022.....	56320A.....	Band, C-3 Intermediate Flex 1974-84.....	1.....	TBA
022.....	56320A.....	Band, A4LD/4R44E/4R55E/5R55E Intermediate & Overdrive Flex 1985-Up.....	1-2.....	E6TZ-7D034-A
022.....	56320E.....	Band, A4LD Intermediate (4.0L) Double Wrap 1991-92.....	1.....	F0TZ-7F196-A
024.....	56520.....	Band, C-3/A4LD/4R44E/4R55E/5R55E Reverse.....	1.....	E3ZZ-7D095-A
<b>BUSHINGS</b>				
030.....	K56902.....	Bushing Kit, C-3.....	1.....	TBA
030.....	K56902D.....	Bushing Kit, A4LD/4R44E/4R55E, 1985-Up.....	1.....	TBA
034.....	56001B.....	Bushing, C-3/A4LD/4R44E/4R55E/5R55E Bell Housing / Pump (Babbit).....	1.....	TBA
034.....	56001.....	Bushing, C-3/A4LD/4R44E/4R55E/5R55E Bell Housing / Pump (Bronze).....	1.....	TBA
036.....	56000B.....	Bushing, C-3/A4LD/4R44E/4R55E/5R55E Stator (Front) W/ Spiral ID Grooves, 74-Up.....	1.....	TBA
036.....	56000C.....	Bushing, A4LD/4R44E/4R55E/5R55E Stator (Front) Brass.....	1.....	TBA
037.....	56000A.....	Bushing, C-3/A4LD/4R44E/4R55E/5R55E Stator (Rear).....	1.....	TBA
040.....	56000B.....	Bushing, A4LD, Overdrive Sun Gear, W/ Spiral ID Grooves, 1985-Up.....	1.....	TBA
046.....	56002.....	Bushing, C-3/A4LD Direct & Overdrive Clutch Drum (Cast Iron Drums).....	1.....	TBA
046.....	56002A.....	Bushing, C-3/A4LD/4R44E/4R55E Direct & Overdrive Drum.....	2.....	TBA
052.....	56003.....	Bushing, C-3/A4LD/4R44E Sun Gear.....	2.....	74DT-7D065-AA
061.....	56004.....	Bushing, C-3/A4LD/4R44E/4R55E Reverse Drum.....	1.....	TBA
061.....	56245.....	Caged Needle Bearing, 5R55E Reverse Drum 1997-Up.....	1.....	TBA
062.....	56006.....	Bushing, A4LD Output Shaft Pilot 1985-89.....	1.....	TBA
062.....	56239.....	Bearing, A4LD/4R44E/4R55E/5R55E Output Shaft Pilot 1990-Up.....	1.....	TBA
064.....	56005.....	Bushing, C-3/A4LD/4R44E/4R55E Case.....	1.....	TBA
064.....	56887.....	Use 56887 (See #264).....	1.....	TBA
066.....	56014.....	Bushing, C-3/A4LD/4R44E/4R55E/5R55E Extension Housing (Babbit).....	1.....	D7FZ-7A034-A
<b>METAL CLAD SEALS</b>				
070.....	56550.....	Seal, C-3, Front, 1974-87.....	1.....	D4ZZ-7A248-A
070.....	56550AV.....	Seal, C-3/A4LD/4R44E/4R55E Front (W/Flange) 1985-Up (Viton, Deep Lip) Black.....	1.....	E5TZ-7A248-A
070.....	56550B.....	Seal, C-3/A4LD/4R44E/4R55E/5R55E Front (No Flange) 1997-Up (Rubber Coated).....	1.....	F77Z-7A248-AA
072.....	6507A.....	Seal, C-3/A4LD/4R44E/4R55E/5R55E Linkage 1974-Up.....	1.....	D5AZ-7B498-A
074.....	56557.....	Seal, C-3/A4LD/4R44E/4R55E/5R55E Rear (W/Out Boot) Except 5R55N/W/S 1974-Up.....	1.....	D5ZZ-7052-A
074.....	56557B.....	Seal, C-3/A4LD/4R44E/4R55E/5R55E Rear (With Boot) 1974-Up.....	1.....	E2ZZ-7052-A
<b>FRICTIONS</b>				

## C-3, A4LD, 4R44E, 4R55E, 5R44E, 5R55E

ILL#	Part#		QTY	REF#
100.....	56304A.....	Friction, A4LD Overdrive Clutch (.078") 1985-89 .....	2-3.....	E5TZ-7B164-A
100.....	56304C.....	Friction, A4LD/4R44E/4R55E Overdrive Clutch (.069") 1990-96 .....	3.....	F0TZ-7B164-C
100.....	56304D.....	Friction, 4R44E/4R55E/5R55E Overdrive Clutch (.069") (Spiral Grooves) 1997-Up .....	3.....	F7ZZ-7B164-CA
106.....	56304.....	Friction, C-3/A4LD Direct Clutch (.075") 1974-89 .....	4-5.....	E3ZZ-7B164-B
106.....	56304B.....	Friction, A4LD/4R44E/4R55E Direct Clutch (.069") 1990-96 .....	6.....	F0TZ-7B164-B
106.....	56304E.....	Friction, 4R44E/4R55E/5R55E Direct Clutch (.069") (Spiral Grooves) 1997-Up .....	6.....	F7ZZ-7B164-BA
108.....	56404.....	Friction, C-3/A4LD Forward Clutch (.075") 1974-89 .....	3-5.....	E3ZZ-7B164-A
108.....	56404B.....	Friction, A4LD/4R44E/4R55E Forward Clutch (.069") 1990-96 .....	6.....	F0TZ-7B164-A
108.....	56404C.....	Friction, 4R44E/4R55E/5R55E Forward Clutch (.069") (Spiral Grooves) 1997-Up .....	6.....	F7ZZ-7B164-AA
119.....	K56AF.....	Friction Module, C3 1974-87 .....	1.....	TBA
119.....	K56CF.....	Friction Module, A4LD 1985-89 .....	1.....	TBA
119.....	K56FF.....	Friction Module, A4LD/4R44E/4R55E 1990-96 .....	1.....	TBA
119.....	K56HF.....	Friction Module, 4R44E/4R55E/5R55E 1997-Up .....	1.....	TBA
<b>STEELS</b>				
120.....	56305.....	Steel, C-3/ Direct Clutch (.078") 1974-Up .....	4-6.....	D4ZZ-7B442-B
120.....	56305A.....	Steel, A4LD Direct & Overdrive Clutch (.068") 1985-89 .....	7-8.....	D8ZZ-7B442-B
120.....	56305B.....	Steel, A4LD/4R44E/4R55E/5R55E Overdrive Clutch (.065") 1990-Up .....	3.....	F0TZ-7B442-B
120.....	56305B.....	Steel, A4LD/4R44E/4R55E/5R55E Direct Clutch (.065") 1990-96 .....	4-6.....	F0TZ-7B442-B
120.....	56305C.....	Steel, 4R44E/4R55E/5R55E Direct Clutch (.082") 1997-Up .....	4-6.....	F7ZZ-7B442-AA
120.....	56305X.....	Steel, C-3/A4LD Direct Clutch (.098") (Oversized) .....	AR.....	TBA
128.....	56405.....	Steel, C-3 Forward Clutch (.078") 1974-78 .....	3-5.....	D4ZZ-7B442-A
128.....	56405A.....	Steel, C-3/A4LD Forward Clutch (.068") 1978-89 .....	3-5.....	D8ZZ-7B442-A
128.....	56405B.....	Steel, A4LD/4R44E/4R55E/5R55E Forward Clutch (.065") 1990-Up .....	5-6.....	F0TZ-7B442-A
128.....	56405X.....	Steel, C-3/A4LD Forward Clutch (.098") (Oversized) .....	AR.....	TBA
139.....	K56AS.....	Steel Module, C-3 1974-E78 .....	1.....	TBA
139.....	K56BS.....	Steel Module, C-3 L1978-87 .....	1.....	TBA
139.....	K56CS.....	Steel Module, A4LD 1985-89 .....	1.....	TBA
139.....	K56FS.....	Steel Module, A4LD/4R44E/4R55E 1990-Up .....	1.....	TBA
139.....	K56HS.....	Steel, Module, 5R55E 1997-Up .....	1.....	TBA
<b>PRESSURE PLATES</b>				
140.....	56307.....	Pressure Plate, C-3/A4LD Direct & Overdrive Clutch (.218") 1974-89 .....	1-2.....	D4ZZ-7B066-B
140.....	56307B.....	Pressure Plate, A4LD/4R44E/4R55E/5R55E Direct & Overdrive Clutch (.200") 1990-Up .....	1-2.....	F0TZ-7B066-B
148.....	56408.....	Pressure Plate, C-3/A4LD Forward Clutch, (.215") 1974-89 .....	1.....	D4ZZ-7B066-A
148.....	56408D.....	Pressure Plate, A4LD/4R44E/4R55E/5R55E Forward Clutch, (.200") 1990-Up .....	1.....	F0TZ-7B066-A
<b>MODULATORS</b>				
160.....	56830A.....	Modulator, C-3 No Stripe (Single Line) 1974-80 .....	1.....	D6ZZ-7A377-A
160.....	56831.....	Modulator, C-3 Black Stripe (Single Line) 4 Cylinder 1981-87 .....	1.....	E1ZZ-7A377-B
160.....	56832.....	Modulator, C-3 Green Stripe (Single Line) 6 Cylinder 1980-87 .....	1.....	E1SZ-7A377-B
160.....	56830.....	Modulator, C-3 No Stripe (Dual Line) 1974-76 .....	1.....	TBA
160.....	56833.....	Modulator, A4LD No Stripe (Single Line) Non Adjustable 1985-Up .....	1.....	E5TZ-7A377-B
160.....	56833M.....	Modulator, A4LD No Stripe (Single Line) With Modojust Dial 1985-Up .....	1.....	E5TZ-7A377-B
160.....	56833T.....	Modulator, A4LD No Stripe (Single Line) With Turbo 1985-Up .....	1.....	EASZ-7A377-A
163.....	56833-01K.....	Valve Modulator Kit, Oversize , A4LD Sonnax (Requires Tool 56833-TL) .....	1.....	Sonnax
163.....	56833V.....	Valve Modulator, A4LD 1985-95 .....	1.....	TBA
164.....	56833P.....	Pin, C-3/A4LD Modulator .....	1.....	TBA
NI.....	T162MP.....	Pin, Modulator Adjustment, For All Ford Transmissions (Teckpak) .....	1.....	TBA
<b>VALVE BODY KITS</b>				
165.....	K56908.....	Shift Kit, C-3 1974-Up (Transgo) .....	1.....	SK@ C3
167.....	K56908JR.....	Shift Kit, A4LD Junior 1985-94 (Transgo) .....	1.....	SK@ A4LD-Jr
165.....	K56908AS.....	Valve Body Kit, A4LD (Superior) .....	1.....	KA4LD
165.....	K56908B.....	Shift Kit, 4R44E/4R55E/5R55E 1994-Up (Transgo) .....	1.....	SK@ 44-55E
165.....	KA4LDV.....	Valve Body Kit, A4LD W/Boost Valve & Sleeve (Superior) .....	1.....	KA4LD-V
165.....	K56908BS.....	Valve Body Kit, 4R44E/4R55E/5R55E 1994-Up (Superior) .....	1.....	K4R/5R55E
<b>SEALING RINGS</b>				
175.....	K56901.....	Ring Kit, C-3 1974-87 .....	1.....	TBA
175.....	K56901D.....	Ring Kit, A4LD, 1985-95 .....	1.....	TBA
175.....	K56901G.....	Ring Kit, 4R44E/4R55E 1995-96 .....	1.....	TBA
175.....	K56901H.....	Ring Kit, 4R44E/5R55E/5R44E 1997-05 .....	1.....	TBA
178.....	56230T.....	Ring, A4LD/4R44E/4R55E Stator Front (Teflon) .....	1.....	3L2Z-7L323-AA
179.....	56228.....	Ring, C-3 Direct Drum (2.354" OD) (Metal) 1974-87 .....	2.....	D4ZZ-7D025-A
179.....	56228VE.....	Ring, 5R55E Overdrive & Direct Drum (Vespel) 1997-Up .....	2-4.....	TBA
179.....	56228T.....	Ring, A4LD/4R44E/4R55E Overdrive & Direct Drum (2.354" OD) (Teflon) 1985-Up .....	2-4.....	E5TZ-7D025-A
179.....	56228V.....	Ring, A4LD Direct Drum (.083" Wide, 2.354" OD) (Viton) 1985-92 .....	2.....	E5TZ-7D0429-A



## C-3, A4LD, 4R44E, 4R55E, 5R44E, 5R55E

ILL#	Part#		QTY	REF#
179	56228C	Ring, A4LD/4R44E/4R55E Direct Drum (.102" Wide, 2.354" OD) (Viton) 1993-Up	2	F3TZ-7D429-A
181	56227	Ring, C-3/A4LD/4R44E/4R55E Forward Drum (1.496" OD) (Metal)	2	D4ZZ-7D019-A
181	56227A	Ring, C-3/A4LD/4R44E/4R55E Forward Drum (1.496" OD) (Bronze) Will Retro All	2	53366
181	56227P	Ring, 5R55E Forward Clutch (1.576" OD) (Peek) 1997-Up	2	F7TZ-M154-CA
189	56645	Ring, C-3 Governor (2.340" OD) (Metal-Cast Iron) 1974-87	3	F0TZ-7D011-A
189	56645V	Ring, A4LD Governor (2.340" OD) (Viton)	3	TBA
189	56645C	Ring, A4LD/4R44E/4R55E Governor (2.340" OD) (Seal Plated)	3	E7TZ-7D011-A

### WASHERS & BEARINGS

200	K56907	Washer Kit, C-3 1974-87	1	TBA
200	K56907D	Washer Kit, A4LD 1985-89	1	TBA
200	K56907H	Washer Kit, A4LD/4R44E/4R55E 1990-96	1	TBA
200	K57907J	Washer Kit, 4R44E/5R55E/5R44E 1997-Up	1	TBA
210	K56209X	Shim Kit, C-3/A4LD/4R44E/4R55E Pump / Center Support Washer	1	TBA
211	56221A	Washer, C-3/A4LD Pump / Center Support (.047") Metal	1	F0TZ-7D014-M
211	56209A	Washer, C-3/A4LD Pump / Center Support (.047") Plastic	1	TBA
211	56221	Washer, C-3/A4LD Pump / Center Support (.055") Metal	1	F0TZ-7D014-A
211	56209AA	Washer, C-3/A4LD Pump / Center Support (.055") Plastic	1	F7TZ-7D014-VA
211	56222	Washer, C-3/A4LD Pump / Center Support (.063") Metal	1	F0TZ-7D014-B
211	56209B	Washer, C-3/A4LD/4R44E/4R55E Pump / Center Support (.063") Plastic	1	F7TZ-7D014-TA
211	56223	Washer, C-3/A4LD Pump / Center Support (.067") Metal	1	F0TZ-7D014-C
211	56209DA	Washer, C-3/A4LD/4R44E/4R55E Pump / Center Support (.067") Plastic	1	TBA
211	56224	Washer, C-3/A4LD Pump / Center Support (.071") Metal	1	F0TZ-7D014-D
211	56209EA	Washer, C-3/A4LD/4R44E/4R55E Pump / Center Support (.071") Plastic	1	F7TZ-7D014-MA
211	56225	Washer, C-3/A4LD Pump / Center Support (.075") Metal	1	F0TZ-7D014-E
211	56209GA	Washer, C-3/A4LD/4R44E/4R55E Pump / Center Support (.075") Plastic	1	F7TZ-7D014-NA
211	56226	Washer, C-3/A4LD Pump / Center Support (.079") Metal	1	F0TZ-7D014-F
211	56209C	Washer, C-3/A4LD/4R44E/4R55E Pump / Center Support (.079") Plastic	1	F7TZ-7D014-PA
211	56226A	Washer, C-3/A4LD Pump / Center Support (.083") Metal	1	F0TZ-7D014-G
211	56209JA	Washer, C-3/A4LD/4R44E/4R55E Pump / Center Support (.083") Plastic	1	F7TZ-7D014-RA
211	56226B	Washer, C-3/A4LD Pump / Center Support (.087") Metal	1	F0TZ-7D014-H
211	56209KA	Washer, C-3/A4LD/4R44E/4R55E Pump / Center Support (.087") Plastic	1	F7TZ-7D014-SA
211	56226C	Washer, C-3/A4LD Pump / Center Support (.094") Metal	1	F0TZ-7D014-J
211	56209D	Washer, C-3/A4LD/4R44E/4R55E Pump / Center Support (.094") Plastic	1	TBA
211	56226D	Washer, C-3/A4LD Pump / Center Support (.102") Metal	1	F0TZ-7D014-K
211	56209MA	Washer, C-3/A4LD/4R44E/4R55E Pump / Center Support (.102") Plastic	1	TBA
211	56226E	Washer, C-3/A4LD Pump / Center Support (.110") Metal	1	F0TZ-7D014-L
211	56209E	Washer, C-3/A4LD/4R44E/4R55E Pump / Center Support (.110") Plastic	1	TBA
211	56219A	Bearing W/Races, 4R44E/4R55E Center Support (.110") Rear 1995-96 (2.382" ID)	1-2	F3TZ-7L326-A
		Also Fits A4LD/4R44E/4R55E Center Support (Front) 1993-96		
211	56219B	Bearing W/Races, 4R44E/4R55E Center Support (.115") Rear 1995-96 (2.382" ID)	1	F5TZ-7L326-A
211	56219C	Bearing W/Races, 4R44E/4R55E Center Support (.122") Rear 1995-96 (2.382" ID)	1	F5TZ-7L326-B
211	56219D	Bearing W/Races, 4R44E/4R55E Center Support (.129") Rear 1995-96 (2.382" ID)	1	F5TZ-7L326-C
211	56235A	Bearing W/Races, 5R55E Pump / Center Support (Rear) (.110") 1997-Up (2.450" ID)	1	XW4Z-7D014-CA
211	56235B	Bearing W/Races, 5R55E Pump / Center Support (Rear) (.116") 1997-Up (2.450" ID)	1	XW4Z-7D014-FA
211	56235C	Bearing W/Races, 5R55E Pump / Center Support (Rear) (.124") 1997-Up (2.450" ID)	1	F7TZ-7D014-KA
211	56235D	Bearing W/Races, 5R55E Pump / Center Support (Rear) (.131") 1997-Up (2.450" ID)	1	F7TZ-7D014-LA
214	56233	Washer, A4LD/4R44E/4R55E/5R55E Overdrive Sun Gear Drive "Star Washer"	1	E5TZ-7660-A
216	5644AAA	Race, A4LD/4R44E/4R55E Overdrive Planet To Overdrive Sun Gear (Front) 1985-96	1	E5TZ-7D235-B
216	56220AA	Brg W/Races, 4R44E/4R55E/5R55E OD Planet To OD Sun Gear (Stays In Planet) 1997-Up	1	TBA
217	56220	Bearing, A4LD/4R44E/4R55E/5R55E Between Overdrive Planet & Overdrive Ring Gear Hub	1	1W4Z-7L495-A
218	56220AB	Needle Bearing, A4LD/4R44E/4R55E Fits On Nose Of Overdrive Planet	1	TBA
220	56218	Washer, A4LD Overdrive Planet To Sprag (Retainer) 1985-92	1	E7TZ-7L339-A
223	56219	Washer, A4LD Center Support (Front) (2 Inner Tabs) 1985-92	1	E5TZ-7L326-A
223	56219A	Bearing W/Races, 4R44E/4R55E Center Support (Front) 1993-96	1	TBA
223	56241	Brg W/Races, 4R44E/4R55E/5R55E Center Supp (Front) 1997-Up (Also 5R55E Fwd Drum To Direct Drum 1997-Up) (Also 4R44E/4R55E/5R55E Rear Planet To Hub) 1997-Up	1-3	F7TZ-7M153-EB
226	56231A	Brg W/Race, A4LD/4R44E/4R55E Center Supp To Fwd Drum (.157") 1 Notch, 1993-95	1	F3TZ-7C096-A
226	56231B	Brg W/Race, A4LD/4R44E/4R55E Center Supp To Fwd Drum (.149") 2 Notch 1993-95	1	F3TZ-7C096-B
226	56231C	Brg W/Race, A4LD/4R44E/4R55E Center Supp To Fwd Drum (.143") 3 Notch 1993-95	1	F3TZ-7C096-C
226	56231D	Brg W/Race, A4LD/4R44E/4R55E Center Supp To Fwd Drum (.135") 4 Notch 1993-95	1	F3TZ-7C096-D
229	56210	Washer, C-3/A4LD/4R44E/4R55E Direct Drum To Forward Drum (Metal)	1	E5TZ-7C096-A
229	56210A	Washer, C-3/A4LD Direct Drum To Forward Drum (Plastic) (Cast Iron Direct Drums Only)	1	D4ZZ-7C096-A
229	56219A	Bearing W/Races, 5R55E Forward Drum To Direct Drum 1997-Up	1	TBA
231	56217	Washer, C-3/A4LD Fwd Drum To Planet Hub (Flat, 3-Tab) (1st Des Hub) 74-86	1	D4ZZ-7D090-A
231/2	56211C	Washer/Cap, Fwd Ring Gear Hub To Fwd Drum, 2nd Des (Cup Type) 1987-92	1	E7TZ-7A045-A
231/2	56211D	Washer/Sleeve, Fwd Ring Gear Hub To Planet Hub, 3rd Des (Top Hat Type) 1992-On	1	F0TZ-7D090-A
231/2	56234	Brg W/Races, Fwd Drum To Planet Hub, 3rd Des, 1990-Up	1	F3TZ-7D234-A

## C-3, A4LD, 4R44E, 4R55E, 5R44E, 5R55E

ILL#	Part#		QTY	REF#
232.....	56211	Washer, C-3/A4LD Fwd Ring Gr Hub To Planet Hub (Flat, 4-Tab) (1st Des Hub) 74-86.....	1	D4ZZ-7D090-B
235.....	56213	Washer, C-3/A4LD Forward Planet To Hub.....	1	TBA
235.....	56214	Bearing W/Race, A4LD/4R44E/4R55E/5R55E Between Forward Planet & Hub.....	1	F2TZ-7F374-A
239.....	56229	Race, C-3/A4LD Forward Planet To Sun Gear.....	1	E5TZ-7D235-A
243.....	56215	Race, C-3/A4LD/4R44E/4R55E Between Sun Shell & Rear Planet Washer 1985-96.....	1	D4ZZ-7D066-A
244.....	56213	Washer, C-3/A4LD Rear Planet To Shell (2 3/4" OD) (6 Outer Tabs) 1974-E89 (Also Fits..... Forward Planet To Hub) (Also Fits Rear Planet To Hub).....	1-3	D4AZZ-7A166-A
244.....	56213C	Washer, A4LD/4R44E/4R55E Rear Planet To Shell (3 Outer Tabs) L1989-96.....	1	F0TZ-7A166-B
244.....	56243	Bearing W/Races, 4R44E/4R55E/5R55E Rear Planet To Shell 1997-Up.....	1	F7ZZ-7M151-BA
251.....	56213	Washer, A4LD/4R44E/4R55E Rear Planet To Hub (2 3/4" OD) (6 Outer Tabs) 1985-E89.....	1	TBA
251.....	56213B	Washer, A4LD/4R44E/4R55E Rear Planet To Hub (3" OD) (6 Outer Tabs) L1989-96.....	1	F0TZ-7A166-A
251.....	56241	Bearing W/Races, 4R44E/4R55E/5R55E Rear Planet To Hub 1997-Up.....	1	TBA
254.....	56212	Washer, C-3/A4LD Between Rear Hub & Sprag Race (2 1/4" OD) Metal 1974-E89.....	1	F0TZ-7DA22-A
254.....	56212A	Washer, A4LD/4R44/55E Between Rear Hub & Sprag Race (3 3/16" OD) Bronze, L89-96.....	1	F0TZ-7D422-A
254.....	56240	Race, 4R44E/4R55E/5R55E Rear Hub To Sprag Race (Steel) Snaps On The Rear Hub..... (W/Bronze Inner Ring) 1997-Up.....	1	F7ZZ-7M150-DA
254.....	56239	Bearing, 4R44E/55E/5R55E Rear Hub Race To Sprag Race (Goes W/56240) 1997-Up.....	1	F7ZZ-7M150-CA
257.....	56250	Washer, A4LD/4R44E/4R55E/5R55E Rear Case Thrust (4.0L) L1989-Up.....	1	TBA
257.....	56250-01K	Washer & End Cap Kit, A4LD Rear Sprag Inner Race Washer & 2 Sprag End Caps (4.0L).....	1	Sonnax
261.....	56245	Caged Needle Bearing, 5R55E Reverse Drum 1997-Up.....	1	TBA
263.....	56216	Washer, C-3/A4LD/4R44E/4R55E Between Gov Support & Case Small 2-1/8" OD 1974-96.....	1	D4ZZ-7B368-A
263.....	56216E	Washer, 5R55E Between Gov Support & Case Large 2-1/4" OD 1997-Up.....	1	F7ZZ-7B368AA
264.....	56887	Caged Needle Bearing, 5R55E Case To Output Shaft (# F-222722).....	1	F7ZZ-7R205-AA
268.....	56427A	Bearing, A4LD/4R44E/4R55E/5R55E Output Shaft Pilot.....	1	TBA

### GASKETS & RUBBER COMPONENTS

300.....	56265	Gasket, C-3 Bottom Pan.....	1	D5ZZ-7A191-B
300.....	56500	Gasket, A4LD/4R44E/4R55E/5R55E Bottom Pan.....	1	E5TZ-7A191-A
305.....	56272	Gasket, C-3/A4LD/4R44E/4R55E/5R55E Extension Housing.....	1	D4ZZ-7086-B
307.....	56269	Gasket, C-3/A4LD/4R44E/4R55E/5R55E Reverse Servo Cover.....	1	D4ZZ-7L173-A
309.....	56777	Washer, C-3/A4LD Pump Bolt 1974-87.....	8	E830124-S
309.....	56777A	O-Ring, A4LD/4R44E/4R55E/5R55E, Pump Bolt, 1988-Up.....	8	E804595-S200
310.....	56276	Gasket, C-3/A4LD/4R44E/4R55E Pump.....	1	F5TZ-7A136-A
311.....	56274	O-Ring, C-3/A4LD/4R44E/4R55E Pump.....	1	D5ZZ-78A248-A
312.....	56777A	O-Ring, A4LD/4R44E/4R55E/5R55E Pump Bolt 1995-Up.....	8	E804595-S200
313.....	56128	O-Ring, A4LD/4R44E/4R55E/5R55E Inner Pump Gear.....	1	W701431-S300
317.....	100146	Gasket, Adapter, Transfer Case.....	1	E9TZ-7086-A
320.....	56267	Gasket, C-3 Valve Body (Upper).....	1	D4ZZ-7D100-B
320.....	56287	Gasket, A4LD Valve Body (Upper).....	1	E8TZ-7C155-A
320.....	56287X	Gasket, A4LD Valve Body (Upper) (.015" Thick) (Oversize).....	1	TBA
320.....	56287A	Gasket, 4R44E/4R55E/5R55E Valve Body (Upper) 1995-Up.....	1	TBA
321.....	56266	Gasket, C-3 Valve Body (Lower).....	1	D4ZZ-7D100-A
321.....	56280	Gasket, A4LD Valve Body (Lower).....	1	E8TZ-7D100-A
321.....	56280X	Gasket, A4LD Valve Body (Lower) (.015" Thick) (Oversize).....	1	TBA
321.....	56280A	Gasket, 4R44E/4R55E/5R55E Valve Body (Lower) 1995-Up.....	1	TBA
326.....	56268	Gasket, C-3 Filter.....	1	D5ZZ-7E062-A
334.....	56120	Lathe Cut Seal, C-3/A4LD/4R44E/4R55E/5R55E Forward Clutch (Inner).....	1	XL2Z-7A548-BA
335.....	56126	Lathe Cut Seal, C-3/A4LD/4R44E/4R55E/5R55E Forward Clutch (Outer).....	1	XL2Z-7A548-AA
335.....	56126AA	Lip Seal, A4LD/4R44E/4R55E/5R55E Forward Clutch (Outer) 1990-Up.....	1	TBA
336.....	56110A	Lathe Cut Seal, C-3/A4LD Dir Clu (Inner) 1974-87 And OD Clutch (Inner) 1985-87.....	2	D7ZZ-7D404-A
336.....	56110	Lip Seal, A4LD/4R44E/4R55E/5R55E Direct & Overdrive Clutch (Inner) 1988-05.....	2	E8TZ-7D404-A
337.....	56116A	Lathe Cut Seal, A4LD Direct & Overdrive Clutch (Outer) 1985-87.....	2	D7ZZ-7A548-A
337.....	56116	Lip Seal, A4LD Direct Clutch (Outer) 1987-89 (Also 4R44E/4R55E/5R55E Direct Clutch..... (Outer) 1995-05) (Also A4LD/4R44E/4R55E Overdrive Clutch (Outer) 1988-05.....	2	E8TZ-7A548-A
337.....	56116	Lip Seal, A4LD Direct Clutch (Outer) 1990-96.....	1	TBA
337.....	56116B	Lip Seal, A4LD/4R44E/4R55E Overdrive Clutch (Outer) 1997-05.....	1	F7ZZ-7A548-AA
349.....	3499	O-Ring, C-3/A4LD Throttle Shaft (No Lobes).....	1	TBA
349.....	3499A	O-Ring, C-3/A4LD Throttle Shaft (With 4 Lobes).....	1	TBA
362.....	56273	Lathe Cut, C-3 Intern Servo Cover 1974-78 and A4LD Intermed & OD Servo Cov, 1985.....	1-2	D4ZZ-7D040-A
362.....	56273A	O-Ring, A4LD/4R44E/4R55E/5R55E Intermediate & Overdrive Servo 1986-Up.....	2	E6TZ-7D040-A
363.....	3435	O-Ring, C-3/A4LD/4R44E/4R55E/5R55E Reverse Servo Seal (Small).....	1	D4ZZ-7423-B
363.....	3475	O-Ring, C-3/A4LD/4R44E/4R55E/5R55E Reverse Servo Seal (Large).....	1	D4ZZ-7423-A
363.....	3475AA	O-Ring, A4LD/4R44E/4R55E/5R55E Reverse Servo (Large) Double Lip (Updated).....	1	TBA
371.....	3291	O-Ring, C-3/A4LD/4R44E/4R55E/5R55E Filler Tube.....	1	6264902
377.....	76521	O-Ring, C-3/A4LD Neutral Safety Switch 1977-95.....	1	87009-S100
379.....	56283	O-Ring, Filter (Small) 1985 Only.....	1	E5TZ-7A469-B
379.....	56283A	O-Ring, A4LD/4R44E/4R55E/5R55E Filter O-Ring (Small) 1986-Up.....	1	E6TZ-7A469-B
379.....	56282	O-Ring, Filter (Large) 1985 Only.....	1	E5TZ-7A469-A

## C-3, A4LD, 4R44E, 4R55E, 5R44E, 5R55E

ILL#	Part#		QTY	REF#
379	56282A	O-Ring, A4LD/4R44E/4R55E/5R55E Filter O-Ring (Large) 1986-Up	1	E6TZ-7A469-A
385	13222A	Hockey Puck, A4LD Intermediate Accumulator Check Valve Seal (Rubber) 1985-Up	1	E0TZ-7D376-A
385	K56900-4	Puck Kit, A4LD Valve Body Check Puck Kit, 1985-95 (8-Pucks)	1	K53900-4

### TECHNICAL MANUALS

400	TMA4LD	Technical Manual, A4LD	1	83-A4LDTM
400	TM4R44E	Technical Manual, 4R44E/4R55E (Electric) 1995-Up	1	4R44E,4R55E
400	TM5R55E	Technical Manual, 5R55E (5 Speed) 1997-Up	1	5R55E
400	TM5R55N	Technical Manual, 5R55N 1999-Up	1	5R55N
400	TM5R55WS	Technical Manual, 5R55S / 5R55N Explorer / Jag 2002-Up	1	5R55W

### ELECTRICAL COMPONENTS

410	56991	Switch, A4LD Neutral Safety (5 Pin) 1985-95	1	E6TZ-7A247-A
410	56991A	Switch, C-3/A4LD Neutral Safety (4 Pin) 1977-95	1	D6RY-7A247-B
410	76991	Switch, 4R44E/4R55E/5R55E Neutral Safety (MLPS) 8-Pin Analog, 1995-Up	1	F5AZ-7A247-A
410	76991B	Switch, 4R44E/4R55E/5R55E Neutral Safety (MLPS) 11 or 12-Pin Digital, 1997-Up	1	F7LZ-7F293-AB
420	K56837B	Solenoid Kit, A4LD (L/Up & 3-4 Shift Sol & 3- Pin Conn) 1989-95 (For 2-Sol Valve Body)	1	52-9005
420	MS-A4LD	Solenoid Kit, A4LD (Lock-Up & 3-4 Shift Solenoid) 1985-95 (Teckpak)	1	MS-A4LD
420	K56837	Solenoid Kit, A4LD (1 L/Up & 2-Prong Conn) 1985-95 (Rostra) (For 1 Sol Valve Body)	1	52-9006
421	56841	Solenoid, 4R44E/4R55E/5R55E Shift/Coast 1995-Up	4	F7TZ-7F293-AA
423	56836B	Solenoid, A4LD 3-4 Shift (Except Aerostar) 1985-Up	1	E8TZ-7M107A
423	K56836B	Solenoid, A4LD 3-4 Shift (All) 1985-Up Teckpak	1	K56836A-B
423	K56836B	Solenoid, A4LD 3-4 Shift (Aerostar) 1987-Up	1	E7SZ-7F037A
425	56836	Solenoid, A4LD TCC 1985-95	1	E5TZ-7F037-A
425	K56836	Solenoid, A4LD TCC 1985-95 (Teckpak)	1	K56836
425	56843	Solenoid, 4R44E TCC 1995-96	1	F5TZ-7F037-AA
425	56843A	Solenoid, 4R44E/4R55E/5R55E TCC 1997-Up	1	F7TZ-7G136-AA
431	56842	Solenoid, 4R44E/4R55E EPC (Green Screen) 1995-96	1	F5TZ-7H144-A
431	56842A	Solenoid, 4R44E/4R55E/5R55E EPC (Red Screen) 1997-Up	1	XL2Z-7G383-AA
436	56846	Sensor, 4R44E/4R55E/5R55E Output Speed (Rear Of Case) 1997-Up	1	F7RZ-7H103-AA
438	56845	Sensor, 4R44E/4R55E/5R44E Input Speed 1995-Up (Under Center Support)	1	F5TZ-7M101-A
439	56951	Sensor, 5R55E Input Speed (Front Of Case) 1997-Up	1	XW4Z-7M183-AA
NI	K76895A	Repair Kit, 2-Pin, External Speed Sensor, Case Conn, A4LD/4R44E/4R55E/5R55E 92-Up	1	F2PZ-14A464-A
444	56837	Connector, A4LD Case (2 Prong) Fits 1 Switch Valve Body 1985-88	1	E5TZ-7E449-A
444	56837B	Connector, A4LD Case (3 Prong) Fits 2 Switch Valve Body 1989-95	1	E7TZ-7E449-A
446	56986A	Wire Harness, Internal, 4R44E/4R55E/5R55E (16 Prong Connector) 1995-Up	1	F5TZ-7Z409-B

### MISCELLANEOUS COMPONENTS

487	26710	Grommet, C-3/A4LD/4R44E/4R55E/5R55E Shift Linkage Grommet (5/16" ID)	1	D5AZ-7341-A
487	30131	E-Clip, C-3/A4LD Linkage	1	TBA

### PUMPS & PUMP COMPONENTS

520	56200	Pump, C-3 1974-87	1	D6ZZ-7A103-A
520	56200D	Pump, A4LD (6mm Bolt Type) 1985-87	1	E5TZ-7A103-A
520	56200E	Pump, A4LD (8mm Bolt Type) Cast Shaft, 1988-95	1	F0TZ-7A103-A
520	56200F	Pump, A4LD (8mm Bolt Type) Steel Shaft, 1990-95	1	TBA
520	56200G	Pump, 4R44E/4R55E, 1995-96	1	F5TZ-7A103-B
520	56200H	Pump, 4R44E/4R55E/5R55E (24T Inner Gear Type) 1997-Up	1	F7TZ-7A103-CA
520	56200HA	Pump, 4R44E/4R55E/5R55E (16T Inner Gear Type) 1997-Up	1	XL2Z-7A103-AA
530	K56201	Pump Gears, C-3/A4LD/4R44E/4R55E 1974-94	1	4DT-7L201
530	K56201X	Pump Gears, C-3/A4LD/4R44E/4R55E (Oversized) 1974-Up (3.710" OD x .511" Thick)	1	TBA
530	K56201XA	Pump Gears, C-3/A4LD/4R44E/4R55E (Oversized) 1974-Up (3.714" OD x .514" Thick)	1	TBA
530	K56201A	Pump Gears, 4R44E/4R55E/5R55E (W/Inner O-Ring) 1995-Up (24T On Inner Gear)	1	TBA
530	K56201AA	Pump Gears, 5R55E (16 Teeth Inner Gear, With O-Ring)	1	TBA
544	56202	Plate, C-3 Pump 1974-87	1	E5TZ-7B472-B
544	56202A	Plate, A4LD Pump (Uses Hex Head Pump Bolts) 1985-87	1	E5TZ-7B472-B
544	56202B	Plate, A4LD Pump (Uses Allen Head Pump bolts) 1988-95	1	F0TZ-7B472-B
544	56202C	Plate, 4R44E/4R55E/5R55E Pump (6 Bolt Electric) 1995-Up	1	F5TZ-7B472-A

### DRUMS & PISTON KITS

550	56284A	Drum, A4LD Overdrive (3 Clutch) 1985-E89	1	E9TZ-7L669-A
550	56284AA	Drum, A4LD Overdrive (2 Clutch) 1985-E89	1	D4ZZ-7A248-A
550	56284B	Drum, A4LD/4R55E Overdrive (3 Clutch) L1989-95	1	F0TZ-7L669-A
550	56284C	Drum, A4LD/4R44E Overdrive (2 Clutch) 1990-96	1	TBA
550	56284D	Drum, 5R55E Overdrive (2 Clutch) 1997-Up	1	TBA
554	56400AA	Drum, C-3 Forward Clutch (3 Clutch) (Uses .078" Steels) 1974-77	1	TBA
554	56400	Drum, C-3 Forward Clutch (4 Clutch) (Uses .078" Steels) 1974-77	1	D5ZZ-7A360-A
554	56400AB	Drum, C-3 Forward Clutch (5 Clutch) (Uses .078" Steels) 1974-77	1	TBA

## C-3, A4LD, 4R44E, 4R55E, 5R44E, 5R55E

ILL#	Part#		QTY	REF#
554.....	56400AC.....	Drum, C-3 Forward Clutch (4 Clutch) (Uses .068" Steels) 1978-87.....	1.....	TBA
554.....	56400A.....	Drum, C-3 Forward Clutch (5 Clutch) (Uses .068" Steels) 1978-87.....	1.....	D8ZZ-7A360-A
554.....	56400C.....	Drum, A4LD Forward Clutch (4 Clutch) 1985-E89.....	1.....	F0TZ-7A360-A
554.....	56400CB.....	Drum, A4LD Forward Clutch (5 Clutch) 1985-E89.....	1.....	TBA
554.....	56400BB.....	Drum, A4LD Forward Clutch (4 Clutch) (No Bearing To Center Support) 1990-92.....	1.....	TBA
554.....	56400B.....	Drum, A4LD Forward Clutch (5 Clutch) (No Bearing To Center Support) 1990-92.....	1.....	E5TZ-7A360-A
554.....	56400DA.....	Drum, A4LD Forward Clutch (6 Clutch) (No Bearing To Center Support) 1990-92.....	1.....	TBA
554.....	56400CA.....	Drum, A4LD Forward Clutch (4 Clutch) (W/ Bearing To Center Support) 1993-96.....	1.....	TBA
554.....	56400BA.....	Drum, A4LD Forward Clutch (5 Clutch) (W/ Bearing To Center Support) 1993-96.....	1.....	TBA
554.....	56400D.....	Drum, A4LD Forward Clutch (6 Clutch) (W/ Bearing To Center Support) 1993-96.....	1.....	F0TZ-7D044-A
554.....	56400E.....	Drum, 5R55E Fwd Clu (4 Clu) W/ Caged Outer Bearings Between Rings, 1997-Up.....	1.....	TBA
554.....	56400EA.....	Drum, 5R55E Fwd Clu (5 Clu) W/ Caged Outer Bearings Between Rings, 1997-Up.....	1.....	TBA
554.....	56400EB.....	Drum, 5R55E Fwd Clu (6 Clu) W/ Caged Outer Bearings Between Rings, 1997-Up.....	1.....	TBA
555.....	56300.....	Drum, C-3 Direct Clutch, 4-Cyl (4 Clutch) (Cast) (Uses .078" Steels) 1974-77.....	1.....	TBA
555.....	56300A.....	Drum, C-3 Direct Clutch, V-6 (5 Clutch) (Cast) (Uses .078" Steels) 1975-77.....	1.....	D5FZ-7D044-A
555.....	56300B.....	Drum, C-3 Direct Clutch (4 Clutch) (Cast) (Uses .068" Steels) 1978-83.....	1.....	D8ZZ-7D044-C
555.....	56300BC.....	Drum, C-3 Direct Clutch (5 Clutch) (Cast) (Uses .068" Steels) 1978-83.....	1.....	TBA
555.....	56300C.....	Drum, C3/A4LD Direct Clutch (4 Clutch) (Steel) 1984-E89.....	1.....	E5TZ-7D044-F
555.....	56300CA.....	Drum, C3/A4LD Direct Clutch (5 Clutch) (Steel) 1984-E89.....	1.....	E5TZ-7D044-E
555.....	56300CB.....	Drum, A4LD Direct Clutch, Merkur (4 Clutch) (Steel) (Snap-In Shell Type) 1988-E89.....	1.....	TBA
555.....	56300DA.....	Drum, A4LD Direct Clutch, Merkur (5 Clutch) (Steel) (Snap-In Shell Type) 1988-E89.....	1.....	TBA
555.....	56300CD.....	Drum, A4LD/4R44E Direct Cl (4 Clutch) (Cast) (.150" Lugs To Shell) L1989-96.....	1.....	F0TZ-7D044-B
555.....	56300CF.....	Drum, A4LD/4R44E Direct Cl (4 Clutch) (Cast) (.350" Lugs To Shell) L1989-96.....	1.....	TBA
555.....	56300DB.....	Drum, A4LD/4R44E Direct Cl (5 Clutch) (Cast) (.150" Lugs To Shell) L1989-96.....	1.....	F0TZ-7D044-C
555.....	56300DC.....	Drum, A4LD/4R44E Direct Cl (5 Clutch) (Cast) (.350" Lugs To Shell) L1989-96.....	1.....	TBA
555.....	56300E.....	Drum, A4LD/4R55E Direct Cl (6 Clutch) (Cast) (.150" Lugs) (2.9L/3.0L) L1989-96.....	1.....	TBA
555.....	56300F.....	Drum, A4LD/4R55E Direct Cl (6 Clutch) (Cast) (.350" Lugs) (4.0L) L1989-96.....	1.....	F0TZ-7D044-C
555.....	56300G.....	Drum, 5R55E Dir Clu (4 Clu) (Cast Iron) (4-1/4" OD Piston Cast# 88DT) 1997-Up.....	1.....	TBA
555.....	56300GA.....	Drum, 5R55E Dir Clu (5 Clu) (Cast Iron) (4-1/4" OD Piston Cast# 88DT) 1997-Up.....	1.....	TBA
555.....	56300GB.....	Drum, 5R55E Dir Clu (6 Clu) (Cast Iron) (4-1/4" OD Piston Cast# 88DT) 1997-Up.....	1.....	TBA
555.....	56300HA.....	Drum, 5R55E Dir Clu (4 Clu) (Cast Iron) (4-1/2" OD Piston Cast# 90DT) 1997-Up.....	1.....	TBA
555.....	56300HB.....	Drum, 5R55E Dir Clu (5 Clu) (Cast Iron) (4-1/2" OD Piston Cast# 90DT) 1997-Up.....	1.....	TBA
555.....	56300HC.....	Drum, 5R55E Dir Clu (6 Clu) (Cast Iron) (4-1/2" OD Piston Cast# 90DT) 1997-Up.....	1.....	TBA
556.....	56510.....	Drum, C-3/A4LD/4R44E Reverse Exc 4.0L (Roller Type Sprag) 1974-96.....	1.....	D4ZZ-7C498-A
556.....	56510A.....	Drum, A4LD/4R55E Reverse 4.0L (Element Type Sprag) (30 Lugs) 1990-96.....	1.....	F0TZ-7C498-A
556.....	56510B.....	Drum, 4R44E/5R55E Reverse W/Out Sprag (10 Lugs) 1997-Up.....	1.....	TBA
556.....	K56510B.....	Drum, 4-Speed Reverse W/16 Element Sprag (10 Lugs) 1997-Up.....	1.....	BW50003
556.....	K56510C.....	Drum, 5-Speed Reverse W/26 Element Sprag (10 Lugs) 1997-Up.....	1.....	BW50002
560.....	K56884.....	Piston Kit, A4LD OD & Dir Drum (Lathe Cut Seal Type) (4 1/2" OD) (# 74DT) 1985-87.....	1-2.....	TBA
560.....	K56884A.....	Piston Kit, A4LD/4R44E/55E OD & Dir Drum (Lip Seal Type) (4 1/4" OD) (#88DT) 1988-Up.....	1-2.....	TBA
560.....	K56884H.....	Piston Kit, 5R55E Overdrive Drum (Cast # 97GT) (4 7/8" OD) 1997-Up.....	1.....	TBA
564.....	K56886.....	Piston Kit, C-3/A4LD/4R44E/4R55E/5R55E Forward Drum 1974-Up.....	1.....	D82Z-7A262-A
565.....	K56884.....	Piston Kit, C-3/A4LD/4R44E/4R55E/5R55E Direct Drum (4 1/2" OD) (Cast # 74DT).....	1.....	TBA
565.....	K56884A.....	Piston Kit, A4LD/4R44E/4R55E/5R55E Direct Drum (4 1/4" OD).....	1.....	TBA
565.....	K56885.....	Piston Kit, A4LD/4R44E/4R55E/5R55E Direct Drum (4 1/2" OD) (Cast # 90DT).....	1.....	TBA

### PLANETS & RING GEARS

580.....	56413.....	OD Planet, A4LD, 1985-95.....	1.....	F2TZ-7B446-B
580.....	56413B.....	OD Planet, 4R44E/55E/5R55E (Solid Pin Type) 1995-Up.....	1.....	2L5Z-7B446-AA
580.....	56413C.....	OD Planet, 4R44E/55E/5R55E (Hollow Pin Type) 1995-Up.....	1.....	XL2Z-7B446-AB
580.....	K56413B.....	OD Geartrain, 4R55E (ILL# 550, 610, 580, 590 & 674) 1995-Up.....	1.....	TBA
580.....	K56413C.....	OD Geartrain, 5R55E (ILL# 550, 610, 580, 590 & 674) 1997-Up.....	1.....	TBA
582.....	56412.....	Planet, Front, C-3/A4LD (3-Pin Alum) 1st Des Hub, 1974-86.....	1.....	D4ZZ-7A398-A
582.....	K56412.....	Planet Kit, Front, C-3/A4LD (3-Pin Alum) 1st Des Hub 1974-86.....	1.....	TBA
582.....	56412AA.....	Planet, Front, C-3/A4LD (3-Pin Alum) 2nd Des Hub, 1987-89.....	1.....	TBA
582.....	K56412B.....	Planet Kit, Front C-3/A4LD (3-Pin Alum) 2nd Des Hub 1987-89.....	1.....	TBA
582.....	56412A.....	Planet, Front, A4LD (3-Pin Steel) 2nd Des Hub, 1988-92.....	1.....	E7TZ-7A398-A
582.....	K56412A.....	Planet Kit, Front A4LD (3-Pin Steel) 2nd Des Hub 1988-92.....	1.....	TBA
582.....	56412B.....	Planet, Front, A4LD (4-Pin Steel) 2nd Des Hub, 1987-92.....	1.....	E8TZ-7A398-A
582.....	K56412BA.....	Planet Kit, Front A4LD (4-Pin Steel) 2nd Des Hub 1987-92.....	1.....	TBA
582.....	56412BB.....	Planet, Front, A4LD (4-Pin Steel) 3rd Des Hub, 1992-Up.....	1.....	E8TZ-7A398-A
582.....	K56412BB.....	Planet Kit, Front A4LD (4-Pin Steel) 3rd Des Hub 1992-Up.....	1.....	TBA
582.....	56412DB.....	Planet, Front, A4LD 4.0L (6-Pin Steel) 2nd Des Hub, 1990-92.....	1.....	F0TZ-7A398-B
582.....	K56412DB.....	Planet Kit, Front A4LD 4.0L (6-Pin Steel) 2nd Des Hub 1990-92.....	1.....	TBA
582.....	56412D.....	Planet, Front, A4LD-5R55E (6-Pin Steel) 3rd Des Hub, 3-Pc Bearing, 1992-Up.....	1.....	TBA
582.....	K56412D.....	Planet Kit, Front A4LD-5R55E (6-Pin Steel) 3rd Des Hub, 3-Pc Bearing, 1992-Up.....	1.....	TBA
582.....	56412E.....	Planet, Front, A4LD-5R55E (6-Pin Steel) 3rd Des Hub, 1-Pc Bearing, 1992-Up.....	1.....	TBA
582.....	K56412E.....	Planet Kit, Front A4LD-5R55E (6-Pin Steel) 3rd Des Hub, 1-Pc Bearing, 1992-Up.....	1.....	TBA



## C-3, A4LD, 4R44E, 4R55E, 5R44E, 5R55E

ILL#	Part#		QTY	REF#
		*Front Planet Kits Include: 232/231/882/602/592/235/582*		
584	56503	Planet, Rear C-3/A4LD /4R44E (3-Pin Alum) 10 Lugs, 1974-96	1	E7SZ-7D006-C
584	56503B	Planet, Rear, A4LD/4R44E (6-Pin Steel) (10 Lug Washer Type) 1988-96	1	E7SZ-7D206-AA
584	56503A	Planet, Rear, A4LD/4R55E 4.0L (6-Pin Steel) (30 Lug Type) 1990-96	1	F0TZ-7D006-A
584	56503C	Planet, Rear, 5R55E (6-Pin Steel) (10 Lug To Rev Drum Type) 1997-Up	1	XL2Z-7D006-AA
584	56503E	Planet, Rear, 4R44E (4-Pin Steel) (10 Lug Bearing Type) 1997-Up	1	TBA
590	56506	Ring Gear, A4LD Overdrive Planet (Used W/Steel Caged Sprag)	1	E5TZ-7A153-A
590	56506A	Ring Gear, A4LD/4R44E/55E/5R55E/N OD Planet (For Plastic Cage Sprag & 24T Sun Gr)	1	F3TZ-7A153-A
592	56409	Ring Gear, Front Planet, C-3/A4LD (1-1/4" Spline Length) 1974-86	1	D4ZZ-7D392-A
592	56409A	Ring Gear, Front Planet, A4LD/4R44E/4R55E/5R55E (1-5/8" Spline Length) 1987-Up	1	TBA
594	56410	Ring Gear, Rear Planet, C-3/A4LD/4R44E/4R55E/5R55E 1974-Up	1	D4ZZ-7A153-A

### HUBS, SUN GEARS & CENTER SUPPORTS

602	56426	Hub, C-3/A4LD Fwd Ring Gear (1.5" ID Washer To Planet Type, 57T) 1974-85	1	TBA
602	56426A	Hub, C-3/A4LD Fwd Ring Gear (1.5" ID Bearing To Planet Type, 57T) 1986	1	TBA
602	56426B	Hub, A4LD Fwd Ring Gear (1.587" ID, 57T) (For 2nd Des Hub Planet) 1987-89	1	E7TZ-7B067-A
602	56426BA	Hub, A4LD Fwd Ring Gear (1.587" ID, 12T) (Steel Planets) Can Use 56426BB, 1988-92	1	F8TZ-7B067-AC
602	56426BB	Hub, A4LD-5R55E Fwd Ring Gear (1.587" ID, 57T) (Steel Planets) 1992-Up	1	TBA
602	K56426	Kit, Fwd Hub & Ring Gear (1.5" ID Washer To Planet Type, 57T) 1974-85	1	TBA
602	K56426A	Kit, Fwd Hub & Ring Gear 1.5" ID Bearing To Planet Type, 57T) 1986	1	TBA
602	K56426B	Kit, Fwd Hub & Ring Gear (1.587" ID, 57T) (For 2nd Des Hub Planet) 1987-89	1	TBA
602	K56426BA	Kit, Fwd Hub & Ring Gear (1.587" ID, 12T) (Steel Planets) Can Use K56426BB, 1988-92	1	TBA
602	K56426BB	Kit, Fwd Hub & Ring Gear (1.587" ID, 57T) (Steel Planets) 1992-Up	1	TBA
604	56505	Hub, Rr Ring Gr, C-3 (1.235" OD Nose) 1974-85	1	F0TZ-7D164-B
604	56505AA	Hub, Rr Ring Gr, C-3/A4LD (1.375" OD Nose) (For Alum Planet) 1985-96	1	TBA
604	56505BA	Hub, Rr Ring Gr, A4LD/4R55E 4.0L (1.610" OD Nose) (For Steel Planet W/Oil Dam) 1990-96	1	F0TZ-7D164-C
604	56505BB	Hub, Rr Ring Gr, A4LD/4R55E (1.375" OD Nose) (For Steel Planet W/Oil Dam) 1988-96	1	TBA
604	K56505	Kit Hub & Rr Ring Gr, C-3 (1.235" Nose) 1974-85	1	F7TZ-7D164-AD
604	K56505AA	Kit Hub & Rr Ring Gr, C-3/A4LD (1.375" Nose) (For Alum Planet) 1985-96	1	TBA
604	K56505BA	Kit Hub & Rr Ring Gr, A4LD/4R55E 4.0L (1.610" Nose) (For Steel Planet W/Oil Dam) 1990-96	1	TBA
604	K56505BB	Kit Hub & Rr Ring Gr, A4LD/4R55E (1.375" Nose) (For Steel Planet W/Oil Dam) 1988-96	1	TBA
610	56414	Sun Gear, A4LD/4R44E/4R55E/5R55E Overdrive (24 Teeth) 1985-Up (Also Fits 5R55N)	1	F7RZ-7D063-AA
612	56421	Sun Gear, C-3/A4LD/4R44E Forward (2 Bushing Type) 1974-Up	1	D4ZZ-7D063-A
612	56421A	Sun Gear, A4LD/4R55E/5R55E Forward (4.0L) (No Bushing Type) L1989-Up	1	F0TZ-7D063-A
622	56423	Shell, C-3/A4LD/4R44E Driving (Except 4.0L) 1974-Up	1	D4AA-7D064-A
622	56423A	Shell, A4LD/4R55E Driving Non-Snap-Type (4.0L) L1989-96 (No Bearing Recess)	1	F0TZ-7D064-A
622	56423B	Shell, A4LD Driving Snap-On Type L1989-94	1	F3TZ-7D064-A
622	56423C	Shell, 5R55E Driving, No Sensor Holes 1997-Up (Has Bearing Recess)	1	F7TZ-7D064-BB
622	56423D	Shell, 5R44E/5R55E Driving (W/24 Sensor Holes For ISS) 2001-Up	1	1L5Z-7D064-AA
630	56219-02K	Bushing, A4LD Center Support Replacement Bushing (Use With 56219-04K Driver)	1	Sonnax
630	56219-06K	Bushing & Driver, A4LD Center Support For Replacement Bushing Use 56219-05K	1	Sonnax
630	56219-03K	Sleeve, A4LD Center Support To Direct Drum (Steel Presses Onto The Center Supp)	1	Sonnax
630	56952	Center Support, A4LD (Washer To Center Shaft Type) 1985-92	1	E5TZ-7A130-A
630	56952D	Center Support, A4LD (Bearing To Center Shaft Type) (No Speed Sensor) 1993-95	1	F3TZ-7A130-B
630	56952A	Center Support, 4R44/4R55E (Brg To Center Shaft Type) (Has Speed Sensor) 1995-96	1	F5TZ-7A130-B
630	56952B	Center Support, 4R44E/5R55E (Caged Brg At Rings) (Has Speed Sensor) 1997-Up	1	F7TZ-7A130-CB

### SPRAGS & ONE WAY CLUTCHES

650	56961	Sprag, A4LD Overdrive (.406" Wide Lugs) (Metal Cage) 1986-96	1	E5TZ-7A089-A
650	56961A	Sprag, A4LD/4R44E/4R55E Overdrive (.406" Wide Lug) (Plastic Cage) L1989-96	1	TBA
650	56961B	Sprag, 4R44E/55E/5R55E Overdrive (.460" Wide Lugs) (Brass Cap On One Side) 97-Up	1	50001BW
654	K56960	Sprag, C-3/A4LD/4R44E Rear (Except 4.0L) (Spring & Roller Kit) 1974-Up	1	TBA
654	56960A	Sprag, A4LD/4R55E Rear (4.0L) (26 Lugs) (Plastic Cage W/2 Brass Washers) L1989-96	1	27304BW
654	56960B	Sprag, Rear, 4-Speed (16 Lugs) 1997-Up	1	50005BW
654	56960C	Sprag, Rear, 5-Speed (26 Lugs) 1997-Up	1	50004BW
664	56600	Inner Race, C-3 Rear Sprag (Bolts In Case)	1	TBA
664	56600A	Inner Race, A4LD/4R44E Rear Sprag (Roller Sprag) Presses In Case 1985-Up	1	TBA
664	56600B	Inner Race, A4LD/4R55E/5R55E Rear Sprag (Lug Type Sprag) (4.0L) L1989-Up	1	TBA
664	56600B-01K	Sprag Update Kit, A4LD Inner Race, Washer & 2 End Caps (Replaces Loose Sprag Inner Races) 4.0L (Also Converts 2.8L, 2.9L & 3.0L Cases To 4.0L) (Sonnax)	1	Sonnax
600	56600DJ	Drill Jig, A4LD For Removing Rear Inner Race (Sonnax)	1	56600-DJ

### SHAFTS & GOVERNORS

670	56411	Input Shaft, C-3 1974-Up	1	D4ZZ-7017-C
670	56411AA	Input Shaft, A4LD (9 7/8" Long) 1985-89	1	F0TZ-7017-D
670	56411A	Input Shaft, A4LD/4R44E/4R55E/5R55E (10" Long) (Retro-Fits) 1990-Up	1	XL2Z-7017-AA
674	56958D	Center Shaft, A4LD (.443" OD Pilot) (Bushing Type) (Metal Sprag) 1985-89	1	E5TZ-7A658-A
674	56958F	Center Shaft, A4LD (.395" OD Pilot) (Bearing Type) (Metal Sprag) 1990-92	1	F2TZ-7A658-A

## C-3, A4LD, 4R44E, 4R55E, 5R44E, 5R55E

ILL#	Part#		QTY	REF#
674.....	56958E.....	Center Shaft, A4LD/4R44E (.395" OD Pilot) (Brg Type) (Plastic Sprag) 1993-96.....	1.....	F2TZ-7A658-B
674.....	56958J.....	Center Shaft, 5R55E, Overdrive 1997-Up.....	1.....	XL2Z-7A658-AA
678.....	56655.....	Output Shaft, C-3 (6T Speedo Gear) 1974-87.....	1.....	E3TZ-7060-C
678.....	56655AB.....	Output Shaft, C-3 (7T Speedo Gear) 1974-87.....	1.....	D9ZZ-7060-A
678.....	56655AB.....	Output Shaft, C-3 (8T Speedo Gear) 1974-87.....	1.....	TBA
678.....	56655B.....	Output Shaft, A4LD 2WD (Pilot Bushing Type) 6T Speedo 6.5" From End Of Shaft 1988-89.....	1.....	E9TZ-7060-D
678.....	56655BA.....	Output Shaft, A4LD 2WD (Pilot Bushing Type) 7T Speedo 6.5" From End Of Shaft 1988-89.....	1.....	TBA
678.....	56655AA.....	Output Shaft, A4LD Merkur Speedo-Is 3 1/2" From End Of Shaft 1988-89.....	1.....	TBA
678.....	56655C.....	Output Shaft, A4LD 2WD (Pilot Bushing Type) 6T Speedo 4 7/8" From End Of Shaft 1985-89.....	1.....	TBA
678.....	56655CA.....	Output Shaft, A4LD 2WD (Pilot Bushing Type) 7T Speedo 4 7/8" From End Of Shaft 1985-89.....	1.....	TBA
678.....	56655A.....	Output Shaft, A4LD 4WD (Pilot Bushing Type) 1985-89.....	1.....	E9TZ-7060-E
678.....	56655D.....	Output, 2WD (Pilot Brg Type) 6T Speedo 6.5" From End (Lube Hole To Sun Gear) 1990-96.....	1.....	TBA
678.....	56655E.....	Output, 2WD (Pilot Brg Type) 7T Speedo 6.5" From End (Lube Hole To Sun Gear) 1990-96.....	1.....	TBA
678.....	56655F.....	Output, 4WD 2.3L/3.0L (Pilot Brg Type) (Lube Hole To Sun Gear) 1990-96.....	1.....	TBA
678.....	56655L.....	Output, 2WD 4.0L (Pilot Brg) 6T Speedo 6.5" From End (No Lube Hole To Sun Gr) 1990-96.....	1.....	TBA
678.....	56655LA.....	Output, 2WD 4.0L (Pilot Brg) 7T Speedo 6.5" From End (No Lube Hole To Sun Gr) 1990-96.....	1.....	TBA
678.....	56655M.....	Output, A4LD/4R44/55/5R55E 4WD (Pilot Bushing) (No Lube Hole To Sun Gr)1990-Up.....	1.....	TBA
678.....	56655N.....	Output Shaft, 4R55E/5R55E 2WD (Bearing Type) (Has No Speed-O Gear) 1997-Up.....	1.....	TBA
680.....	56615AA.....	Governor & Supp, C-3 (4-Bolt) 1974-77.....	1.....	D9ZZ-7C063-A
680.....	56615AB.....	Governor & Supp, C-3 (2-Bolt) 1978-87.....	1.....	TBA
680.....	56615.....	Governor & Supp, A4LD (Small Land On Valve Is .385" OD) (Valve Has 1 Groove).....	1.....	D8ZZ-7C063-A
680.....	56615A.....	Governor & Supp, A4LD (Small Land On Valve Is .385" OD) (Valve Has 2 Grooves).....	1.....	TBA
680.....	56615B.....	Governor & Supp, A4LD (Small Land On Valve Is .385" OD) (Valve Has 3 Grooves).....	1.....	TBA
680.....	56615C.....	Governor & Supp, A4LD (Small Land On Valve Is .326" OD) 1990-95 3.0L.....	1.....	E89Z-76063-B
680.....	56615D.....	Governor & Supp, A4LD (Small Land On Valve Is .314" OD) (Valve Has 1 Groove).....	1.....	TBA
680.....	56615AC.....	Governor & Supp, A4LD (Small Land On Valve Is .314" OD) (Valve Has No Groove).....	1.....	TBA
685.....	56615F.....	Support, C-3/A4LD Governor (Except 4.0L) Cast Iron 1974-Up.....	1.....	D8ZZ-7D220-A
685.....	56615E.....	Support, A4LD Governor (4.0L) Forged Steel 1990-Up.....	1.....	TBA
685.....	56615H.....	Support, 4R44E/4R55E Parking Gear 1995-Up.....	1.....	TBA
685.....	56615G.....	Support, 5R55E Parking Gear (W/8 Spoke Reluctor) 1997-Up.....	1.....	XL2Z-7M176-AA
698.....	56415.....	Oil Dam, A4LD 4.0L Rear Planet To Ring Gear 1990-96.....	1.....	F0TZ-7B176-A
698.....	56415A.....	Oil Dam, 4R44E/5R55E Rear Planet To Ring Gear 1997-Up.....	1.....	F77Z-7B176-AC
<b>VALVE BODIES (DACCO VB#)</b>				
740.....	FD-3308.....	Valve Body, A4LD, 2 Solenoids, w/o Rev. Mod. Valve, 5 Check Balls 1988-90.....	1.....	TBA
740.....	FD-3309.....	Valve Body, A4LD, 2 solenoid, w/ Rev Mod Valve, 4 Check Balls 1991-Up.....	1.....	TBA
740.....	FD-3310.....	Valve Body, A4LD, 1 Solenoid, Scorpio/Mercury Only, 7 Check Balls 1985-87.....	1.....	TBA
740.....	FD-3311.....	Valve Body, A4LD, 1 Solenoid, 6 Check Balls 1985-87.....	1.....	TBA
740.....	FD-3320.....	Valve Body, 4R44E, 6 Solenoids 1995-Up.....	1.....	TBA
740.....	FD-3321.....	Valve Body, 4R55E, 6 Solenoids 1995-96.....	1.....	TBA
740.....	FD-3322.....	Valve Body, 5R55E, 6 Solenoids 1997-Up.....	1.....	TBA
<b>VALVE BODIES</b>				
740.....	56947.....	Valve Body, C-3 1974-87.....	1.....	TBA
740.....	56947A.....	Valve Body, A4LD, 1-Solenoid 1985-87.....	1.....	TBA
740.....	56947B.....	Valve Body, A4LD, 2-Solenoid 1988-94.....	1.....	TBA
740.....	56947H.....	Valve Body, 4R44E/4R55E (Early TCC & EPC Solenoids) 1995-96.....	1.....	3L5Z-7A100-AA
740.....	56947I.....	Valve Body, 4R44E/5R55E (Early TCC & EPC Solenoids) 1997-Up.....	1.....	TBA
<b>VALVE BODY COMPONENTS</b>				
741.....	56288AA.....	Spring, A4LD 4-3 Kickdown Spring.....	1.....	E5TZ-7E479-A
741.....	56947-14K.....	End Plug Kit, A4LD (Small, Medium & Large) (14 Pieces) (Sonnax).....	1.....	TBA
741.....	10000-02K.....	Relief Valves, A4LD/4R44E (In Valve Body) (10 Per Kit) (Sonnax).....	1.....	TBA
741.....	56490.....	Spring, A4LD Converter Clutch Lock-Up Spring.....	1.....	E5TZ-7L490-A
741.....	56995A.....	Spring Kit, A4LD "Anti-Shudder" (2 Per Kit) (Sonnax).....	1.....	56995A
741.....	56622.....	Spring, A4LD 2-3 Backout Spring (Light Blue).....	1.....	F3TZ-7D230-B
741.....	56947-02K.....	Boost Valve Kit, A4LD (High Ratio) With O-Rings (Sonnax).....	1.....	56947-02K
741.....	56947-04K.....	Boost Valve Kit, A4LD (Low Ratio) With O-Rings (Sonnax).....	1.....	56947-04K
741.....	56947-03K.....	Boost Valve Kit, A4LD (High Ratio) W/Out O-Rings (Sonnax) Factory Style.....	1.....	TBA
741.....	56947-05K.....	Boost Valve Kit, A4LD (Low Ratio) W/Out O-Rings (Sonnax) Factory Style.....	1.....	TBA
741.....	37947-EZ.....	Baseline Rebuild Kit, 4R44E/4R55E/5R55E (Boost Valve Assembly, Forward Modulation Valve, 6 End Plugs, 4 Torton Check Balls, O-Rings & Springs).....	1.....	Sonnax
741.....	56995A.....	Spring Kit, A4LD "Anti-Shudder" (2 Per Kit) (Sonnax).....	1.....	56995A
741.....	56623.....	Clip, A4LD Valve Retainer.....	1.....	E5AZ-7E335-A
741.....	37947-46K.....	Spring Kit, 4R44E/4R55E/5R44E/5R55E TCC Regulator Valve (5 Outer & 5 Inner Springs).....	1.....	Sonnax
741.....	56957-12.....	Disc Retainer Set, A4LD Valve Retainer (Disc Shaped) (10 Per Set) (Sonnax).....	1.....	TBA
741.....	56947-13.....	Square Retainer Set, A4LD Valve Retainer (Square) (10 Per Set) (Sonnax).....	1.....	TBA
741.....	56947-11.....	Retainer Pin Set, A4LD Valve Retainer Pin (L Shaped) (10 Per Set) (Sonnax).....	1.....	TBA

## C-3, A4LD, 4R44E, 4R55E, 5R44E, 5R55E

ILL#	Part#		QTY	REF#
741	37947-03K	Boost Valve Kit, 4R44E/4R55E/5R44E/5R55E (Valve & Sleeve) (With Increased Ratio)	1	Sonnax
741	37947-01K	Boost Valve Kit, 4R44E/4R55E/5R44E/5R55E (Valve & Sleeve) (With OEM Ratio)	1	Sonnax
741	56947-01	Index Spool, A4LD (Slips Over Manual Valve, Allows S-Clip To Be Attached)	1	Sonnax
741	37947-13K	End Plug Kit, 4R44E/4R55E/5R55E With O-Rings (Contains: 2-Small Plugs, 1-Large Plugs, 5-Small & 3-Large O-Rings, Check Balls and "L" Retaining Pins)	1	Sonnax
741	56940	Manual Valve, A4LD	1	E8TZ-7C389-A
741	K56947NK	Throttle Kit, 4R44E/4R55E/5R55E (Must Use With The Correct VB Plate #747 & VB Gaskets)	1	3L5Z-7M203-JA
741	56947-06K	Pressure Regulator Kit, A4LD (Fixes Worn Valve Body Bore) (Contains: Pressure Regulator Valve, 2 Springs, Boost Valve/Sleeve (Must Use Tool # 56947-TL)	1	Sonnax
741	56947-TL	Reamer, A4LD Pressure Regulator Valve Bore Tool	1	TBA
741	56947-17	Spring Kit, 4R44E/4R55E/5R44E/5R55E (Main Press Regulator) (Elevates Press) 20ea/Kit	1	Sonnax
741	37947-05K	Pressure Regulator Kit, 4R44E/4R55E/5R44E/5R55E (Contains: 1 Sleeve, 1 Retaining Clip And 1 Spring) Must Use 37947-TL5	1	Sonnax
741	37947-TL5	Reamer Kit, 4R44E/4R55E/5R44E/5R55E Pressure Regulator Sleeve (Sonnax)	1	Sonnax
741	K027	Boost Valve & Sleeve, A4LD Reverse (Superior)	1	Superior
747	56747A	Plate, C-3 Valve Body Separator Plate 1974-87	1	TBA
747	56747B	Plate, A4LD Valve Body Separator Plate 1985-86	1	TBA
747	56747BA	Plate, A4LD Valve Body Separator Plate 1987-94	1	TBA
747	56747C	Plate, 4R44E Valve Body Separator Plate 1995-96 (W/EPC Blow Off Hole Eliminated) Use W/D56741NK, D56320HA & D56321HA	1	F5TZ-7A008-CA
747	56747CA	Plate, 4R44E Valve Body Separator Plate (1997 2.3L/3.0L OHV Ranger/Aerostar) (W/EPC Blow-Off Hole Eliminated) Use W/ K5674NK And 1995-Up OE VB Gaskets	1	F77Z-7A008-AB
747	56747D	Plate, 4R55E/5R55E Valve Body Separator Plate (1997 4.0L Ranger/Aerostar) (W/EPC Blow Off Hole Eliminated) Use W/ K5674NK And 1995-Up OE VB Gaskets	1	F77Z-7A008-CB
747	56747DA	Plate, 4R55E/5R55E Valve Body Separator Plate (1997 Explorer/Mountaineer 4.0L OHV) (W/EPC Blow-Off Hole Eliminated) Use W/ K5674NK And 1995-Up OE VB Gaskets	1	F77Z-7A008-DB
747	56747DB	Plate, 4R55E/5R55E Valve Body Separator Plate (1997 Explorer/Mountaineer 4.0L SOHC) (W/EPC Blow-Off Hole Eliminated) Use W/ K5674NK And 1995-Up OE VB Gaskets	1	F77Z-7A008-EB
747	56747E	Plate, 4R44E Valve Body Separator Plate (1998-01 2.5L Ranger) (W/EPC Blow Off Hole Eliminated) W/Bonded Gaskets (Use W/ K56747NK)	1	1L5Z-7Z490-DA
747	56747EA	Plate, 4R44E Valve Body Separator Plate (1998-00 3.0L Ranger) (W/EPC Blow Off Hole Eliminated) W/Bonded Gaskets (Use W/ (Use W/ K56747NK)	1	1L5Z-7Z490-EA
747	56747EB	Plate, 5R44E Valve Body Separator Plate (2001-02 2.3L Ranger) (W/EPC Blow Off Hole Eliminated) W/Bonded Gaskets (Use W/ (Use W/ K56747NK)	1	1L5Z-7Z490-AA
747	56747EC	Plate, 5R44E Valve Body Separator Plate (2001-02 3.0L Ranger) (W/EPC Blow Off Hole Eliminated) W/Bonded Gaskets (Use W/ (Use W/ K56747NK)	1	1L5Z-7Z490-BA
747	56747F	Plate, 4R55E/5R55E Valve Body Separator Plate (1998-00 4.0L Ranger) (W/EPC Blow Off Hole Eliminated) W/Bonded Gaskets (Use W/ (Use W/ K56747NK)	1	1L5Z-7Z490-FA
747	56747FA	Plate, 4R55E/5R55E Valve Body Separator Plate (1998-00 4.0L Explorer) (W/EPC Blow Off Hole Eliminated) W/Bonded Gaskets (Use W/ (Use W/ K56747NK)	1	1L5Z-7Z490-GA
747	56747FB	Plate, 4R55E/5R55E Valve Body Separator Plate (1998-00 4.0L SOHC) (W/EPC Blow Off Hole Eliminated) W/Bonded Gaskets (Use W/ (Use W/ K56747NK)	1	1L5Z-7Z490-HA
747	56747FC	Plate, 4R55E/5R55E Valve Body Separator Plate (2001-02 4.0L SOHC) W/EPC Blow Off Hole Eliminated) W/Bonded Gaskets (Use W/ (Use W/ K56747NK)	1	1L5Z-7Z490-CA

### BELL HOUSINGS & CASES

750	56380	Bell Housing, C-3, 2.8L V-6 (Top Bolts 3-3/8" Center To Center) 1974-87	1	TBA
750	56380A	Bell Housing, C-3, 2.3L 4-Cyl (Top Bolts 4-1/4", Starter Bolts 4-1/8") 1974-87	1	TBA
750	56381	Bell Housing, C-3, 2.3L 4-Cyl (Top Bolts 4-1/4", Starter Bolts 5-1/8") 1974-87	1	TBA
750	56382BA	Bell Hsg, A4LD, 2.3L 4-Cyl (Top Bolts 4-1/4", Small 6mm Pump Bolts) #85GT-CA 1985-87	1	TBA
750	56382BB	Bell Hsg, A4LD, 2.3L 4-Cyl (Top Bolts 4-1/4", Large 8mm Pump Bolts) #85GT-CA 1988-94	1	TBA
750	56382BG	Bell Hsg, A4LD, 2.8L/2.9L 6-Cyl (Top Bolts 3-3/8", Small 6mm Pump Bolts) 1985-87	1	TBA
750	56382BK	Bell Hsg, A4LD, 2.8L/2.9L 6-Cyl (Top Bolts 3-3/8", Large 8mm Pump Bolts) 1988-94	1	TBA
750	56382BL	Bell Hsg, A4LD, 4.0L 6-Cyl (Top Bolts 3-3/8", Large 8mm Pump Bolts) 1990-94	1	TBA
750	56382BM	Bell Hsg, A4LD, 3.0L 6-Cyl (Top Bolts 4-3/4", Small 6mm Pump Bolts) 1986-87	1	E79Z-7976-A
750	56382BN	Bell Hsg, A4LD, 3.0L 6-Cyl (Top Bolts 4-3/4", Large 8mm Pump Bolts) 1988-94	1	TBA
750	56382CA	Bell Hsg, 4R44E, 2.3L 4-Cyl (Top Bolts 4-1/4") #95GT-DC 1995-00	1	TBA
750	56382CB	Bell Hsg, 4R44E, 3.0L 6-Cyl (Top Bolts 4-3/4") #95GT-CB 1995-Up	1	TBA
750	56382CC	Bell Hsg, 4R55E, 4.0L 6-Cyl (Top Bolts 3-3/8") #95GT-BB 1995-96	1	TBA
750	56382DA	Bell Hsg, 5R55E, 4.0L 6-Cyl (Top Bolts 3-3/8") #97GT-AC 1997-Up	1	TBA
750	56382DB	Bell Hsg, 5R44E, 2.3L 4-Cyl (Round Bell, Square Starter) # RF1L5P 2001-Up	1	TBA
760	56360	Case, C-3 (Bolt-In Type Low Sprag Race) 1974-84	1	TBA
760	56360A	Case, C-3 (Press-In Type Low Sprag Race) 1985-87	1	TBA
760	56361AA	Case, A4LD, 2.3L/2.8L/2.9L (Uses Early Cooler Fittings) 1985-86	1	E7TZ-7005-N
760	56361A	Case, A4LD, 2.3L/2.8L/2.9L (Uses Late Cooler Fittings) 1987-95	1	TBA
760	56361C	Case, A4LD 4.0L (Element Type Low Sprag) 1990-94	1	F0TZ-7005-F
760	56361D	Case, 4R44E 2.3L & 3.0L (Roller Type Low Sprag) No Sensor Holes, 1995-96	1	TBA
760	56361E	Case, 4R55E 4.0L (Element Type Low Sprag) No Sensor Holes, 1995-96	1	TBA

## C-3, A4LD, 4R44E, 4R55E, 5R44E, 5R55E

ILL#	Part#		QTY	REF#
760.....	56361F.....	Case, 5R55E, 4.0L (1-OD & 1-Output Sensor Hole) 1997-00.....	1.....	TBA
760.....	56361G.....	Case, 4R44E, 2.3L/3.0L (1-Output Sensor Hole) 1997-00.....	1.....	F77Z-7005-DB
760.....	56361GB.....	Case, 4R44E, 2.3L/3.0L (1-Shell & 1-Output Sensor Hole) 2001-Up.....	1.....	TBA
760.....	56361GC.....	Case, 5R55E, 4.0L (1-OD & 1-Shell & 1-Output Sensor Hole) 2001-Up.....	1.....	1L5Z-7005-FA
<b>CASE COMPONENTS</b>				
NI.....	56000-CS6.....	Crank Shaft Spacer, For 2.8L/2.9L/4.0" (With A4LD) (Sonnax) (6 Bolt).....	1.....	56000-CS6
NI.....	56870.....	Crank Shaft Spacer, For 2.8L/2.9L/4.0" (With A4LD) (6 Bolt).....	1.....	TBA
NI.....	56000-CS8.....	Crank Shaft Spacer, A4LD/4R44E/4R55E/5R44E/5R55E (Sonnax) (8 Bolt).....	1.....	56000-CS8
NI.....	56870A.....	Crank Shaft Spacer, A4LD/4R44E/4R55E/5R44E/5R55E (8 Bolt).....	1.....	TBA
761.....	56361-01K.....	Sleeve, A4LD/4R44E/4R55E/5R55E Shift Linkage Shaft (W/1ea Sleeve, 1ea 3mm Pin, 1ea .125" Pin) Requires: 56361-TL.....	1.....	Sonnax
NI.....	TK-56-TRD.....	Tool Kit, A4LD/4R/5R/AOD/AODE/4R70W/4R100 Shift Linkage Pin Remover & Installer.....	1.....	Teckpak
761.....	56624.....	Manual Lever Pin, A4LD (E840125S).....	1.....	E8401125-S
<b>PANS, EXTENSION HOUSINGS &amp; SNAP RINGS</b>				
765.....	56850A.....	Pan, C-3 1974-87.....	1.....	TBA
765.....	56850AA.....	Pan, A4LD 2WD 1985-88.....	1.....	TBA
765.....	56850AB.....	Pan, A4LD 2WD 1989-Up.....	1.....	TBA
765.....	56850.....	Pan, A4LD/4R44E/4R55E 4x4 1985-96.....	1.....	TBA
765.....	56850B.....	Pan, 4R44E/4R55E 2WD 1995-Up.....	1.....	TBA
765.....	56850AC.....	Pan, 4R44E/4R55E/5R55E 4WD 1997-Up.....	1.....	TBA
770.....	56370A.....	Ext Hsg, C-3 (Speed-O Hole Is 5 3/4" From Rear Seal, On Drivers Side) 1974-87.....	1.....	TBA
770.....	56370AA.....	Ext Hsg, C-3 (Speed-O Hole Is 4 1/8" From Rear Seal, On Drivers Side) 1974-87.....	1.....	TBA
770.....	56370BA.....	Extension Housing, A4LD 2WD (W/ Speed-O Hole) #85GT, 1985-95.....	1.....	E5TZ-7A039-C
770.....	56370BD.....	Extension Housing, A4LD, Merkur (1-Stud Mount Design) 1988-90.....	1.....	TBA
770.....	56370BB.....	Extension Housing, 4R44E/4R55E 2WD (W/ Speed-O Hole) #95GT, 1995-96.....	1.....	TBA
770.....	56370BC.....	Extension Housing, 4R44E/5R55E 2WD (No Speed-O Hole) #95GT, 1997-Up.....	1.....	TBA
770.....	56370CA.....	Extension Hsg/Adapter, A4LD 4WD, # 85GT, 1985-89.....	1.....	E5TZ-7A039-B
770.....	56370CB.....	Extension Hsg/Adapter, 4WD A4LD/4R44E/4R55E/5R55E, # 90GT, 1990-Up.....	1.....	F0TZ-7A039-B
778.....	56087.....	Bolt, Pump To Bell Hsg, C3/A4LD (Small 6mm).....	AR.....	TBA
778.....	56087A.....	Bolt, Pump To Bell Hsg, A4LD/4R44E/4R55E/5R55E (Large 8mm).....	AR.....	TBA
779.....	56086.....	Bolt, Pan, C3/A4LD/4R44E/4R55E/5R55E, 1974-Up.....	18.....	TBA
781.....	56088.....	Bolt, Extension Hsg To Case, C3/A4LD/4R44E/4R55E/5R55E, 1974-Up.....	AR.....	TBA
783.....	56085.....	Bolt, 4R44E/4R55E/5R55E Holds Input Speed Sensor To Center Supp (Uses Star Bit).....	1.....	TBA
843.....	56949A.....	Bracket, A4LD (For Modulator).....	1.....	TBA
843.....	56949.....	Bracket, 4R44E/4R55E/5R55E Holds Solenoid To Valve Body.....	1.....	XL4Z-7L491-AA
848.....	56848.....	Speedo Gear, Driven, 20T (Orange).....	1.....	TBA
848.....	56848A.....	Speedo Gear, Driven, 21T (Purple).....	1.....	TBA
848.....	56848B.....	Speedo Gear, Driven, 17T (Green).....	1.....	TBA
848.....	56848C.....	Speedo Gear, Driven, 19T (Beige).....	1.....	TBA
853.....	56070.....	Rubber Cushion, C-3/A4LD (.330" Thick) (Sets In Forward Piston 1974-89).....	1.....	D8ZZ-7B070-A
853.....	56070A.....	Rubber Cushion, A4LD/4R44E/4R55E (.299" Thick) (Sets In Forward Piston) 1990-Up.....	1.....	F0TZ-7B070-A
NI.....	K56928A.....	Snap Ring Kit, C-3, A4LD, 4R44/55E, 5R44/55E, 1974-Up.....	1.....	41680
861.....	56606.....	Snap Ring A4LD/4R/5R55, Holds OD & Direct Clutch In Drum (.054").....	1.....	E860126-S
861.....	56606A.....	Snap Ring A4LD/4R/5R55, Holds OD & Direct Clutch In Drum (.068").....	1.....	E860127-S
861.....	56606B.....	Snap Ring A4LD/4R/5R55, Holds OD & Direct Clutch In Drum (.082").....	1.....	E860128-S
861.....	56606C.....	Snap Ring A4LD/4R/5R55, Holds OD & Direct Clutch In Drum (.096").....	1.....	E860129-S
862.....	56607.....	Snap Ring A4LD/4R/5R55, Holds OD & Clutch Spring Retainer In (.049").....	1-2.....	E860125-S
868.....	56608.....	Snap Ring A4LD/4R/5R55, Holds OD Ring Gear To Hub (.060").....	1.....	W702037-S300
876.....	56610C.....	Snap Ring A4LD/4R/5R55, Forward Clutch (.065").....	1.....	TBA
876.....	56610D.....	Snap Ring A4LD/4R/5R55, Forward Clutch (.080").....	1.....	TBA
877.....	56611.....	Snap Ring A4LD/4R/5R55, Forward Cl Spring Retainer In 1.573" OD (.050").....	1.....	E860109-S
879.....	56607.....	Snap Ring A4LD/4R/5R55, Holds Direct Cl Spring Retainer In (.049").....	1-2.....	E860125-S
881.....	56618.....	Snap Ring, A4LD/4R/5R55, Holds Hub To Front Planet.....	1.....	D4ZZ-7A480-A
882.....	56619.....	Snap Ring, A4LD/4R/5R55, Holds Front Ring Gear To Hub.....	1.....	E860122-S
883.....	56612.....	Snap Ring A4LD/4R/5R55, Holds Center Support To Case (.140").....	1.....	W702465-S300
884.....	56620.....	Snap Ring, A4LD/4R/5R55, Holds Sun Gear In Shell.....	2.....	E860121-S
889.....	56613.....	Snap Ring A4LD/4R/5R55, Rear Hub To Ring Gear.....	1.....	E860122-S
890.....	56614.....	Snap Ring A4LD/4R/5R55, Rear Planet To Reverse Drum 5.195" OD (.042").....	1.....	W702775-S300
893.....	56621.....	Snap Ring A4LD/4R/5R55, Rear Sprag To Reverse Band Drum.....	1.....	TBA
894.....	56617.....	Snap Ring A4LD/4R/5R55, Holds Rear Hub To Output Shaft (.077").....	1.....	E860527-S
894.....	56617A.....	Snap Ring C3/A4LD, Holds Rear Hub To Output Shaft (.046").....	1.....	TBA
896.....	56602.....	Snap Ring, Holds Intermediate & Overdrive Servo Cover In Case.....	1.....	E860343-S
<b>PISTONS, SPRINGS &amp; MISCELLANEOUS</b>				
901.....	56281AB.....	Spring, C-3/A4LD/4R44E/4R55E/5R55E Intermediate & Overdrive Servo (Orange).....	1-2.....	D4ZZ-7D028-A
901.....	56281AC.....	Spring, C-3/A4LD/4R44E/4R55E/5R55E Intermediate & Overdrive Servo (Yellow).....	1-2.....	F0TZ-7D028-A



## C-3, A4LD, 4R44E, 4R55E, 5R44E, 5R55E

ILL#	Part#		QTY	REF#
901	56281AD	Spring, C-3/A4LD/4R44E/4R55E/5R55E Intermediate & Overdrive Servo (Blue)	1-2	E08Z-7D028-A
901	56281AE	Spring, C-3/A4LD/4R44E/4R55E/5R55E Intermediate & Overdrive Servo (Green)	1-2	E3TZ-7D028-A
902	56528D	Piston, C-3/A4LD/4R44E/4R55E/5R55E Intermediate & Overdrive Servo (Molded) (1.655" ID) Cover Cast# FB) Piston Cast # 90GT-7E221-F1A	1-2	F0TZ-7D021-B
902	56528G	Piston, C-3/A4LD/4R44E/4R55E/5R55E Intermediate & Overdrive Servo (Molded) (1.72" ID) Cover Cast# EB) Piston Cast # 90GT-7E221-B1A	1-2	F0ZZ-7D021-A
902	56528E	Piston, C-3/A4LD/4R44E/4R55E/5R55E Intermediate & Overdrive Servo (Molded) (1.751" ID) Cover Cast# DB) Piston Cast # 90GT-7E221-D1A	1-2	F0TZ-7D021-A
902	56528C	Piston, C-3/A4LD/4R44E/4R55E/5R55E Intermediate & Overdrive Servo (Molded) (1.845" ID) Cover Cast# CA/CB Piston Cast #	1-2	E3ZZ-7D021-A
902	56528A	Piston, C-3/A4LD/4R44E/4R55E/5R55E Intermediate & Overdrive Servo (Molded) (1.945" ID) Cover Cast# BA/BB Piston Cast # 83DT-7E221-B1A	1-2	F2ZZ-7D021-A
902	56528	Piston, C-3/A4LD/4R44E/4R55E/5R55E Intermediate & Overdrive Servo (Molded) (2.10" ID) Cover Cast# AA/AB Piston Cast # 78DT-83DT-7E221-A1A/A2A	1-2	D4ZZ-7D021-A
902	56528M	Piston, C-3/A4LD/4R44E/4R55E/5R55E Intermediate & Overdrive Servo (Molded) (2.314" ID) Cover Cast# ZC Piston Cast # ZA	1-2	F7ZZ-7D021-ZA
902	K56840	Kit, (Servo & Cover Kit, A4LD/4R44E/4R55E/5R55E (Updates Smaller To 2.10" Servo Kit)	1-2	TBA
904	56538D	Servo Cover, C-3/A4LD/4R44E/4R55E/5R55E Interm & OD(1.655" ID Cover) Cast# FB	1-2	TBA
904	56838G	Servo Cover, C-3/A4LD/4R44E/4R55E/5R55E Interm & OD(1.720" ID Cover) Cast# EB	1-2	TBA
904	56838EE	Servo Cover, C-3/A4LD/4R44E/4R55E/5R55E Interm & OD(1.751" ID Cover) Cast# DB	1-2	TBA
904	56838C	Servo Cover, C-3/A4LD/4R44E/55E/5R55E Interm & OD(1.845" ID Cover) Cast# CA Or CB	1-2	TBA
904	56838AA	Servo Cover, C-3/A4LD/4R44E/55E/5R55E Interm & OD(1.945" ID Cover) Cast# BA Or BB	1-2	TBA
904	56838	Servo Cover, C-3/A4LD/4R44E/55E/5R55E Interm & OD(2.10" ID Cover) Cast# AA Or AB	1-2	E2ZZ-7D052-A
904	56838M	Servo Cover, C-3/A4LD/4R44E/4R55E/5R55E Interm & OD(2.314" ID Cover) Cast# ZC	1-2	F7ZZ-7D027-ZC
910	K56532	Servo Assembly, C-3/A4LD/4R44E/4R55E/5R55E Reverse (1 Groove)	1	D7ZZ-7D189-C
910	K56533	Servo Assembly, C-3/A4LD/4R44E/4R55E/5R55E Reverse (2 Groove)	1	D7ZZ-7D189-A
910	K56534	Servo Assembly, C-3/A4LD/4R44E/4R55E/5R55E Reverse (No Groove)	1	D7ZZ-7D189-B
910	K56532A	Servo Assembly, 4R44E/4R55E/5R55E Reverse (1 Groove) (No Spring)	1	TBA
911	56281BA	Spring, C-3/A4LD/4R44E/4R55E/5R55E Reverse Servo	1	D4ZZ-7D031-A
912	56532	Piston, C-3/A4LD/4R44E/4R55E Reverse Servo (1 Groove)	1	TBA
912	56533	Piston, C-3/A4LD/4R44E/4R55E Reverse Servo (2 Groove)	1	TBA
912	56534	Piston, C-3/A4LD/4R44E/4R55E Reverse Servo (No Groove)	1	TBA
912	56532-01K	Sleeve, C-3/A4LD/4R44E/55E/5R55E Rear Servo Bore (Presses In Case)	1	Sonnax
912	56532-S	Piston, Reverse Servo Machined For Sleeve 56532-01K	1	Sonnax
914	56530AA	Cover, C-3/A4LD/4R44E/4R55E/5R55E Reverse Servo	1	TBA
915	56320SA	Band Strut Set, A4LD/4R44E/4R55E/5R55E Overdrive Band (Band Lever #A)	1	TBA
915	56320SB	Band Strut Set, A4LD/4R44E/4R55E/5R55E Overdrive Band (Band Lever #C)	1	TBA
915	56320SC	Band Strut Set, A4LD/4R44E/4R55E/5R55E Overdrive Band (Band Lever #D)	1	TBA
915	56320SD	Band Strut Set, A4LD/4R44E/4R55E/5R55E Overdrive Band (Band Lever #E)	1	TBA
915	56320SE	Band Strut Set, A4LD/4R44E/4R55E/5R55E Overdrive Band (Band Lever #G)	1	TBA
915-4	56324	Rod, OD Servo, A4LD/4R44E/5R55E, 1985-Up	1	TBA
915-5	56325	Arm, OD Strut, A4LD/4R44E/5R55E, 1985-Up	1	TBA
916	56320SF	Band Strut Set, C-3/A4LD/4R44E/4R55E/5R55E Interm Band (Band Lever Cast # A)	1	TBA
916	56320SG	Band Strut Set, C-3/A4LD/4R44E/4R55E/5R55E Interm Band (Band Lever Cast # C)	1	TBA
916	56320SH	Band Strut Set, C-3/A4LD/4R44E/4R55E/5R55E Interm Band (Band Lever Cast # D)	1	TBA
916	56320SJ	Band Strut Set, C-3/A4LD/4R44E/4R55E/5R55E Interm Band (Band Lever Cast # E)	1	TBA
916	56320SK	Band Strut Set, C-3/A4LD/4R44E/4R55E/5R55E Interm Band (Band Lever Cast # G)	1	TBA
916-1	56321	Lever, Band Apply, OD/Interm (#A) C3/A4LD/4R44E/4R55E/5R55E 1974-Up	1	TBA
916-1	56321A	Lever, Band Apply, OD/Interm (#C) C3/A4LD/4R44E/4R55E/5R55E 1974-Up	1	TBA
916-1	56321B	Lever, Band Apply, OD/Interm (#D) C3/A4LD/4R44E/4R55E/5R55E 1974-Up	1	TBA
916-1	56321C	Lever, Band Apply, OD/Interm (#E) C3/A4LD/4R44E/4R55E/5R55E 1974-Up	1	TBA
916-1	56321D	Lever, Band Apply, OD/Interm (#G) C3/A4LD/4R44E/4R55E/5R55E 1974-Up	1	TBA
916-2	56320S	Strut, Band Apply, OD/Interm C3/A4LD/4R44E/4R55E/5R55E 1974-Up	1	TBA
916-4	56322	Rod, Intermediate Servo, C3/A4LD/4R44E/4R55E/5R55E 1974-Up	1	TBA
917	56521	Rear Band Anchor Pin Set, A4LD/4R44E/4R55E/5R55E (10 Pins & 1 Reamer) (Sonnax)	1	56521-K
919	56084	Bolt, Adjustment (Both Bands) A4LD/4R44E/4R55E/5R55E, 1985-Up	2	TBA
922	26610	Nut, C-3/A4LD/4R44E/4R55E/5R55E Band Adjustment Nut (Coarse Threads)	1-2	388307-S100
961	56884	Piston, A4LD/4R44E/4R55E Overdrive & Direct Clutch (4 1/2" OD)(Lathe Cut Seal Type)	1-2	E8TZ-7A262-A
961	56884A	Piston, A4LD/4R44E/4R55E Overdrive & Direct Clutch (4 1/4" OD)(Lip Seal Type)	1-2	TBA
961	56885	Piston, A4LD/4R44E/4R55E/5R55E Direct Clutch (4 1/2" OD)(Lip Seal Type)(Cast # 90DT)	1	TBA
961	56885A	Piston, 5R55E Overdrive Clutch (4 7/8" OD) (Cast # 97GT) 1997-Up	1	TBA
961	56884AA	Piston, C-3 Direct Clutch 1974-87	1	F0TZ-7A262-B
964	56886	Piston, C-3/A4LD/4R44E/4R55E/5R55E Forward Clutch	1	TBA
971	56882	Spring, C-3/A4LD/4R44E/4R55E/5R55E Overdrive & Direct Clutch Return	20	F1TZ-7A480-B
971	K56882	Spring Kit, C-3/A4LD/4R44E/4R55E/5R55E Overdrive & Direct Clutch Return (20 Springs)	1	TBA
971	K56882A	Kit, Spring Retainer, Direct and Overrun(Retainer, 20-Springs & Snap Ring)	1	TBA
974	K56882B	Spring Kit, C-3/A4LD/4R44E/4R55E/5R55E Forward Cl Piston, 1974-Up	1	TBA
981	56921	Retainer, A4LD/4R44E/4R55E/5R55E Overdrive & Direct Drum Spring	1-2	ESTZ-7A527-A

## C-3, A4LD, 4R44E, 4R55E, 5R44E, 5R55E

ILL#	Part#		QTY	REF#
984.....	56922A.....	Retainer, C-3/A4LD/4R44E/4R55E Forward Clutch Spring.....	1.....	TBA
985.....	56921.....	Retainer, A4LD/4R44E/4R55E Direct & Overdrive Drum Spring.....	1-2.....	ESTZ-7A527-A
991.....	56625.....	Linkage, A4LD Internal With Park Rod.....	1.....	E6TZ-7A247-A
991.....	56625A.....	Linkage, 4R44E/4R55E/5R55E Internal With Park Rod.....	1.....	TBA
991-1.....	56643.....	Lever, Internal Kickdown, A4LD, 1985-95.....	1.....	TBA
991-2.....	56638.....	Detent Spring, C-3/A4LD, 1974-95.....	1.....	TBA
991-2.....	56638A.....	Detent Spring, 4R44E/4R55E/5R55E, 1995-Up.....	1.....	TBA
991-3.....	56115A.....	Rooster Comb, C-3/A4LD, 1985-95.....	1.....	TBA
991-3.....	56115B.....	Rooster Comb, 4R44E/4R55E/5R55E, 1995-Up.....	1.....	F5TZ-7A115-A
NI.....	TK-56-TRD.....	Tool Kit, A4LD/4R44E/4R55E/5R55E Shift Linkage Pin Remover & Installer (Teckpak).....	1.....	TBA
992.....	56631.....	Lever With Shaft, A4LD Shift (External) Bronco II, Explorer & Ranger 1985-88.....	1.....	E5TZ-7A256-A
992.....	56631A.....	Lever With Shaft, A4LD Shift (External) Aerostar 1985-91.....	1.....	E5TZ-7A256-B
992.....	56631B.....	Lever With Shaft, A4LD Shift (External) Mustang 1987-93.....	1.....	F3ZZ-7A256-A
992.....	56631C.....	Lever With Shaft, A4LD Shift (External) Thunderbird 1987-93.....	1.....	E7SZ-7A256-A
992.....	56631D.....	Lever With Shaft, A4LD Shift (External) Explorer W/4.0L 1989-94.....	1.....	E9TZ-7A256-B
992.....	56631E.....	Lever With Shaft, A4LD Shift (External) Aerostar 1992-94.....	1.....	F3TZ-7A256-B
992.....	56626.....	Shaft, 4R44E/4R55E/5R55E Manual Lever 1995-Up.....	1.....	TBA
992.....	56631F.....	Lever W/Out Shaft, 4R44E/4R55E/5R55E Shift (External) 1995-Up.....	1.....	TBA
994.....	56632.....	Park Rod, A4LD/4R44E/4R55E/5R55E, 1985-Up.....	1.....	TBA
995.....	K56824.....	Park Pawl Assembly, A4LD/4R44E/4R55E/5R55E (Park Pawl Is .370" Thick).....	1.....	TBA
995.....	K56824A.....	Park Pawl Assembly, A4LD/4R44E/4R55E/5R55E (Park Pawl Is .305" Thick).....	1.....	TBA
995-3.....	56633.....	Spring, Park Pawl, C-3/A4LD/4R44E/4R55E/5R55E, 1974-Up.....	1.....	TBA
996.....	K31289.....	Fitting, A4LD/4R44E/4R55E/5R44E/5R55E Cooler (1/4" Pipe Thread, Screw-in Pipe Thread.....	2.....	TBA
.....	.....	Screws Into Case) (For A 5/16" Push-in Cooler Line).....	.....	.....
996.....	K56289.....	Fitting, A4LD/4R44E/4R55E/5R44E/5R55E Cooler (16.5mm Thread, Screw In Thread Screws.....	2.....	TBA
.....	.....	Into Case) (For A 5/16" Push In Cooler Line) (Uses A 22mm Wrench).....	.....	.....
NI.....	56089.....	Bolt, Case To Center Support,.....	1.....	TBA
NI.....	56644.....	Dipstick Tube, A4LD/4R44E/4R55E/5R44E/5R55E, 1985-Up.....	1.....	TBA
NI.....	56646.....	Clip, Wire Harness, 4R44E/4R55E/5R44E/5R55E, 1995-Up.....	1.....	TBA